

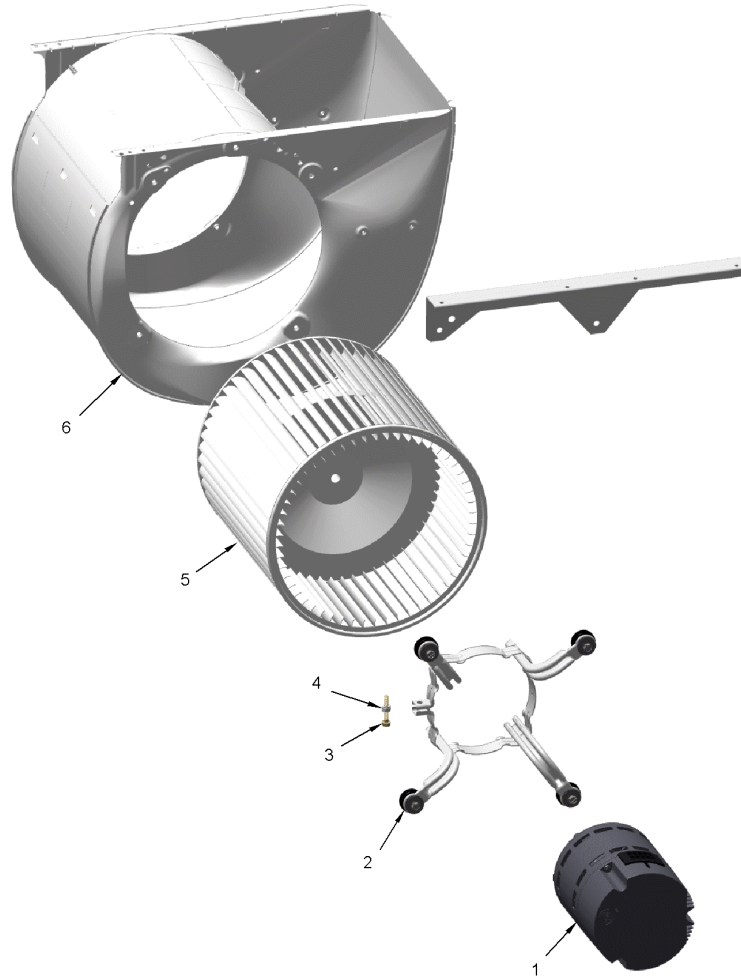
Part No.	Reference No.	Quantity	Description
0000096912~S	*		BLOWER DECK
0000096911~S	*		BLOWER
0000096913~S	*		CABINET
0000096914~S	*		CONTROLS
0000096997~S	*		FAN
0000096915~S	*		REFRIGERATION

Part No.	Reference No.	Quantity	Description
0000050087~P	*		BLOWER PARTS LIST

BLOWER

75013634

RP
A



This is a typical illustration. The unit in the field may not appear exactly as shown.

Part No.	Reference No.	Quantity	Description
BRK05028		1	BRACKET; MOTOR MOUNT, 3.28 X 4.55, INCLUDES GROMMET
SCR02108		4	SCREW; SCR 10-16 AB HXW 5/8 S
MOT20631	1	1	MOTOR; ASM, PROGRAMMED, CONSTANT TORQUE 1/2HP
BND00917	2a	1	BAND; BELLY BAND ASSEMBLY, INCLUDES BAND, MOTOR LEGS, MOUNTING HARDWARE
MOT19283	2b	4	MOUNT; MOTOR MOUNT BRACKET, LEG & SCREW ASM
NUT01063	4	1	NUT; LOCKING NYLON
WHL02916	5	1	WHEEL; BLOWER, 11 IN DIA, 8 IN WIDTH, 0.50 IN BORE, CW
HUS04351	6	1	HOUSING; BLOWER, METAL, 8.325 INTERIOR WIDTH

BLOWER DECK

Parts List Number :0000096908

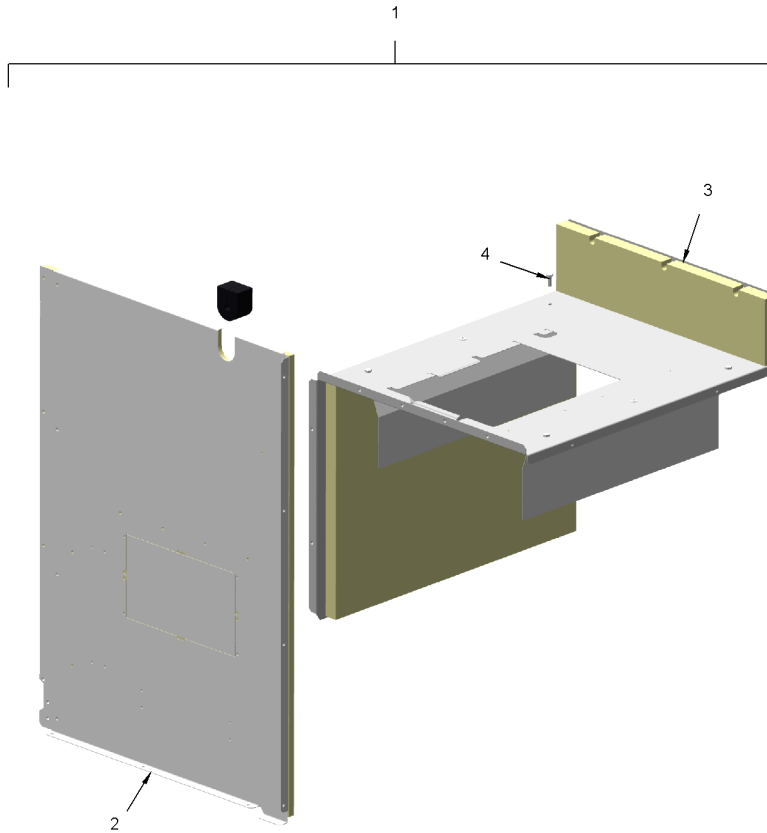
Model Number :4WCA4030C1000AA

Part No.	Reference No.	Quantity	Description
0000050110~P	*		ASSY, HX PANEL, BLOWER DECK

BLOWER DECK

75013635

RP
A



This is a typical illustration. The unit in the field may not appear exactly as shown.

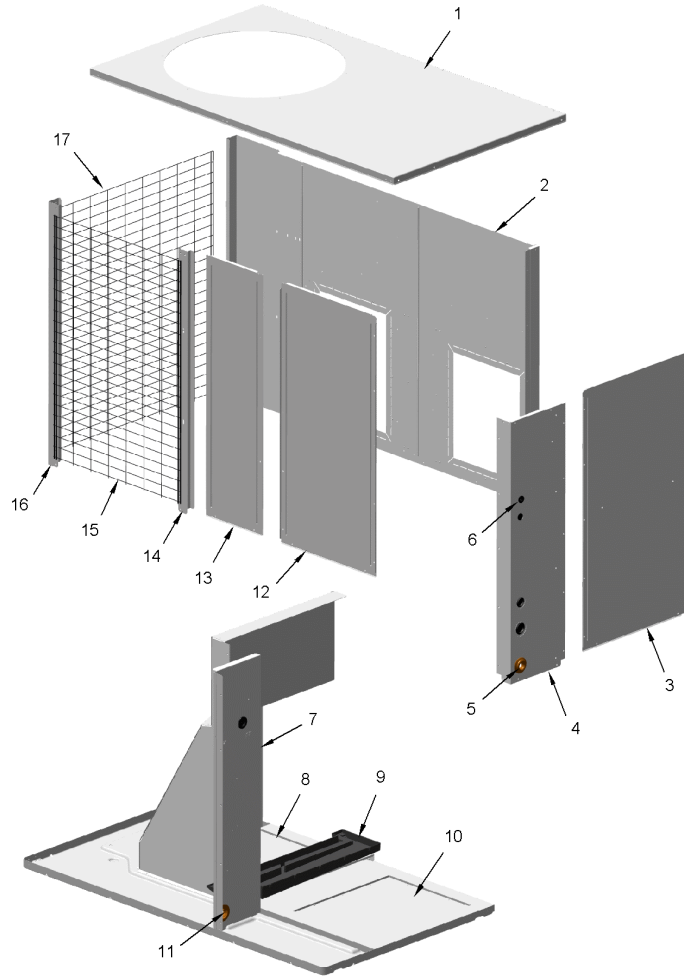
Part No.	Reference No.	Quantity	Description
BLW01601		1	BLOWER; DECK ASSY
SCR02108		16	SCREW; SCR 10-16 AB HXW 5/8 S
PNL36689	2	1	PANEL; HX PANEL ASSY
NUT01063	4	4	NUT; LOCKING NYLON

Part No.	Reference No.	Quantity	Description
0000050167~P	*		CABINET PARTS LIST

CABINET

75013628

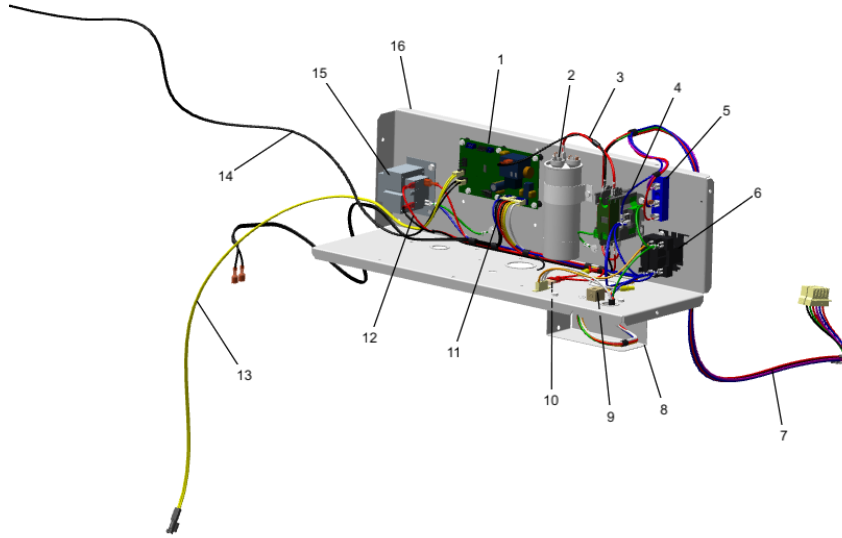
RP
A



This is a typical illustration. The unit in the field may not appear exactly as shown.

Part No.	Reference No.	Quantity	Description
SCR02108		79	SCREW; SCR 10-16 AB HXW 5/8 S
COV05735	1	1	COVER; TOP ASSY
PNL36687	2	1	PANEL; S&R PANEL ASSY
BLW01605	3	1	PANEL; BLOWER ACCESS
SUP06570	4	1	SUPPORT; CONTROL BOX CORNER POST
GRM00118	6	1	GROMMET; 3/16 IN ID, NEOPRENE
PNL36683	7	1	PANEL; CONTROL BOX SIDE
COV05736	8	1	COVER; ASSY S/R
PAN04208	9	1	PAN; PLASTIC DRAIN
COV05734	10	1	COVER; SUPPLY & RETURN ASSY
PNL36698	12	1	PANEL; ASSY, CNTRL BOX ACCESS
PNL36685	13	1	PANEL; COIL ACCESS
SUP06568	14	1	SUPPORT; MID-POST
GRL02231	15	1	GRILLE; OD WIRE
SUP06566	16	1	SUPPORT; CORNER POST
GRL02230	17	1	GRILLE; OD WIRE

Part No.	Reference No.	Quantity	Description
0000050117~P	*		CONTROL BOX PARTS LIST



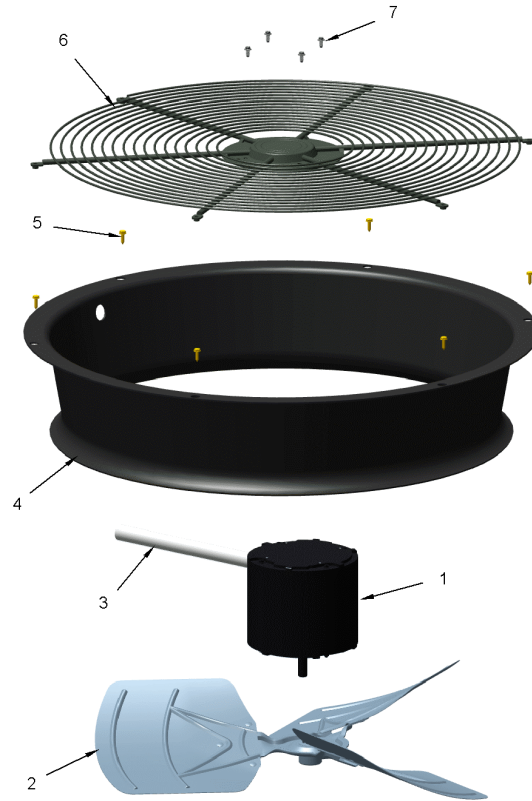
Part No.	Reference No.	Quantity	Description
BRK05223		1	BRACKET;
CON00241		1	CONNECTOR; WIRE
COV05654		1	COVER; LOW VOLTAGE BARRIER
GRD01026		1	GUARD; EDGE TRIM, 8.00 IN LENGTH
INS00306		1	INSULATION;
RES00843		1	RESISTOR; 9.750 K OHMS
RTR01001		1	RETAINER; CLIP
SCR01511		7	SCREW; 10-16 B HXW 1/2 S
SCR01924		6	SCREW; 6-32 X .75, THREAD ROLLING SCREWS-ZINC PLATED, HEX WASHER
SCR02108		4	SCREW; SCR 10-16 AB HXW 5/8 S
SCR02321		1	SCREW;
SUP02752		1	SUPPORT; SENSOR, BLACK PLASTIC, 0.50 X 1.68 X 3.10
TER00312		1	TERMINAL; 8IN. TIE CABLE
TER00312		2	TERMINAL; 8IN. TIE CABLE
WIR00767		2	WIRE; SPLICE
CNT09325	1	1	CONTROL; DEFROST
SRP00269	2b	1	STRAP; CAPACITOR
WIR10033	3	1	WIRE; HARNESS, P6 TO DFC, CC,CF, 2 WIRES-RD & BK
CTR02994	4	1	CONTACTOR; 1 POLE + SHUNT, NO, 40 FLA AT 240V, 50/60 HZ, 40 RES AMPS, 32V COIL, 40 FLA AT 240/277/480/600V
BRD00385	5	1	BOARD; TERMINAL, FAN, 24V, 3 POLE
RLY03876	6	1	RELAY;
WIR09687	7	1	WIRE; HARNESS, INDOOR MOTOR TO CC, FTB, WITH 2-5 PIN PLUGS
LUG00014	9	1	LUG, GROUND
FUS01089	10	1	FUSE; 5 AMP, TAN, AUTOMOTIVE STYLE
WIR10031	11	1	WIRE; HARNESS, DFC, FTB, H, CC, CF, TNS, SOV, PPM TO OPTIONAL ELECTRIC HEAT
WIR09689	12	1	WIRE; HARNESS, POWER, CC TO TNS, 2 WIRES-RD & BK
SEN02853	13	1	SENSOR; COIL TEMP
RES00171	14	1	RESISTOR; THERMISTOR, BLACK (OUTDOOR AIR SENSOR OR AMBIENT SENSOR)
TRR02404	15	1	TRANSFORMER; 50VA, 208/240 V PRI, 24V SEC

Part No.	Reference No.	Quantity	Description
0000050082~P	*		FAN ASM

FAN

75013632

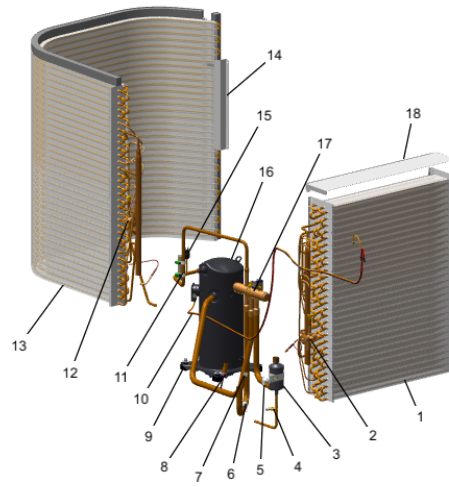
RP
A



This is a typical illustration. The unit in the field may not appear exactly as shown.

Part No.	Reference No.	Quantity	Description
NUT00845		4	NUT; FLANGE NIBBED
MOT19173	1	1	MOTOR; 1/5 HP-48 FRAME PSC
FAN06690	2	1	FAN; (3) L
GRD02078	3	1	GUARD; THROUGHLEAD
ORF01695	4	1	ORIFICE; PLASTIC INLET, 23.36 ID
SCR02108	5	6	SCREW; SCR 10-16 AB HXW 5/8 S
GRL01863	6	1	GRILL; OUTDOOR FAN, WIRE, 26.85 MOUNTING DIA
SCR02086	7	1	SCREW; 10-32 TR-3 HXW 3/8 S

Part No.	Reference No.	Quantity	Description
0000050627~P	*		REFRIGERANT SYSTEM HP



Part No.	Reference No.	Quantity	Description
BRK05222		1	BRACKET; CONNECTIVE, 30.17 X 1.33 X 0.50
DST00895		1	DISTRIBUTOR; 5 OUTLETS, 19 ODS, .50 ODM INLET, BRASS
DST00896		1	DISTRIBUTOR; 6 OUTLETS, 19 ODS, .50 ODM INLET, BRASS
KIT08039		4	KIT; GROMMETS. COMPRESSOR MOUNTING. (CONSISTS OF 4), 0.44 ID X 1.63 OD NEOPRENE RUBBER-BLACK 45-55 DUROMETER
SCR02108		3	SCREW; SCR 10-16 AB HXW 5/8 S
SWT04689		1	SWITCH; LOW PRESSURE BZ
TER00312		8	TERMINAL; 8IN. TIE CABLE
TIE00023		2	TIE;CABLE, 8.00IN.
VAL08882		1	VALVE; SWITCHOVER, 4 TON (INCLUDES SOLENOID COIL)
VAL20619		1	VALVE; EXPANSION
VAL20621		1	VALVE; EXPANSION
DHY01450	3	1	DRIER; BI-FLOW; SERVICE FIRST; 5 CU. IN; DCB053S, 3/8 ODF CONNECTIONS; APPROVED FOR MINERAL OIL AND POE OIL REFRIGERANTS; MANUFACTURED FOR TRANE BY DA
COR00103	4b	2	CORE; VALVE, .79 LENGTH, .206-36 UNS-1 MOD. THD
TEE00095	4c	1	TEE; COPPER
VAL01483	4d	1	VALVE; BODY, .44-20 THD X .25 ODS, STRAIGHT, BRASS, LESS CORE
CLP00223	6a	2	CLIP; BULB
BOD00114	7a	1	BODY; VALVE, BRASS, 7/16 HEX, 7/16 -20 UNF-2A
CAP00455	7b	2	CAP; HUB, 7/16-20 STRAIGHT
BLT00809	9a	4	BOLT; CARRIAGE, 5/16-18 X 1-3/4
GKT01820	9b	4	GASKET; 3/4 OD X 7/16 ID X .06 THK
NUT00355	9d	4	NUT; HEX, LOCK, 5/16IN.-18
NUT00890	9e	4	NUT; PALLET, 5/16-18 UNC 2B THD.
WAS00638	9f	4	WASHER; FLAT, 5/16 INCH
WIR03335	10	1	WIRE; PLUG SCROLL COMPRESSOR
PLT06752	14	1	PLATE; OD COIL BRACKET REAR PLATE FIN
SWT03274	15	1	SWITCH, HIGH PRESSURE, SPST, OPEN @ 650 PSIG, CLOSE @ 500 PSIG, 75" YELLOW LEAD
BOF02508	18	1	BLOCKOFF; TOP, INDOOR COIL