

<b>Part No.</b>	<b>Reference No.</b>	<b>Quantity</b>	<b>Description</b>
4TXUUP1_4TXUUP1_147268~P	*		4TXUUP1 PARTS LIST
75010943#4TXUUP1~S	*		GENERAL ASSEMBLY 4.0 TON CONVERTIBLE FLOOR/CEILING
75010947#4TXUUP1~S	*		MODEL NOMENCLATURE

NO GRAPHIC AVAILABLE

75013702

REV  
A

**NO  
GRAPHIC  
AVAILABLE**

MODEL NUMBER DESCRIPTION 75010947  
PRO SERIES HEAT PUMP CONVERTIBLE MODEL NOMENCLATURE

REV.  
A

*Example Model Number:*  
**4UXX2048A10N0AA**  
1 - - - 5 - - - - 10 - - - - 15

**Digit 1 – Refrigerant**

4 = R-410A

**Digit 2 – Brand**

U = Pro Series

**Digit 3 – Functional Type**

X = Heat Pump Inverter

**Digit 4 – Configuration Indoor Unit**

X = Convertible (Floor/Ceiling) Mount

**Digits 5, 6 – Efficiency Tier**

20 = Up to 20 SEER Pro Series

**Digits 7, 8 – Nominal Capacity (Btu/h x 1,000)**

18 = 18,000 Btu/h

24 = 24,000 Btu/h

30 = 30,000 Btu/h

36 = 36,000 Btu/h

42 = 42,000 Btu/h

48 = 48,000 Btu/h

**Digit 9 – Major Development Sequence**

A = First Development Sequence

**Digit 10 – Electric Power Supply**

1 = 208-230/60/1

**Digit 11 – Reserved for Future Use**

0 = Not Currently Used

**Digit 12 – Regional Markets Served**

N = North America Market

**Digit 13 – Reserved for Future Use**

0 = Not Currently Used

**Digit 14 – Minor Design Sequence**

A = First Design Sequence

**Digit 15 – Service Digit**

A = First Sequence

Part No.	Reference No.	Quantity	Description
75010947_4TXUUP1_147274~P	*		MODEL NOMENCLATURE PARTS LIST

MODEL NUMBER DESCRIPTION 75010947  
PRO SERIES HEAT PUMP CONVERTIBLE MODEL NOMENCLATURE

REV.  
A

*Example Model Number:*  
**4UXX2048A10N0AA**  
1 - - - 5 - - - - 10 - - - - 15

**Digit 1 – Refrigerant**

4 = R-410A

**Digit 2 – Brand**

U = Pro Series

**Digit 3 – Functional Type**

X = Heat Pump Inverter

**Digit 4 – Configuration Indoor Unit**

X = Convertible (Floor/Ceiling) Mount

**Digits 5, 6 – Efficiency Tier**

20 = Up to 20 SEER Pro Series

**Digits 7, 8 – Nominal Capacity (Btu/h x 1,000)**

18 = 18,000 Btu/h

24 = 24,000 Btu/h

30 = 30,000 Btu/h

36 = 36,000 Btu/h

42 = 42,000 Btu/h

48 = 48,000 Btu/h

**Digit 9 – Major Development Sequence**

A = First Development Sequence

**Digit 10 – Electric Power Supply**

1 = 208-230/60/1

**Digit 11 – Reserved for Future Use**

0 = Not Currently Used

**Digit 12 – Regional Markets Served**

N = North America Market

**Digit 13 – Reserved for Future Use**

0 = Not Currently Used

**Digit 14 – Minor Design Sequence**

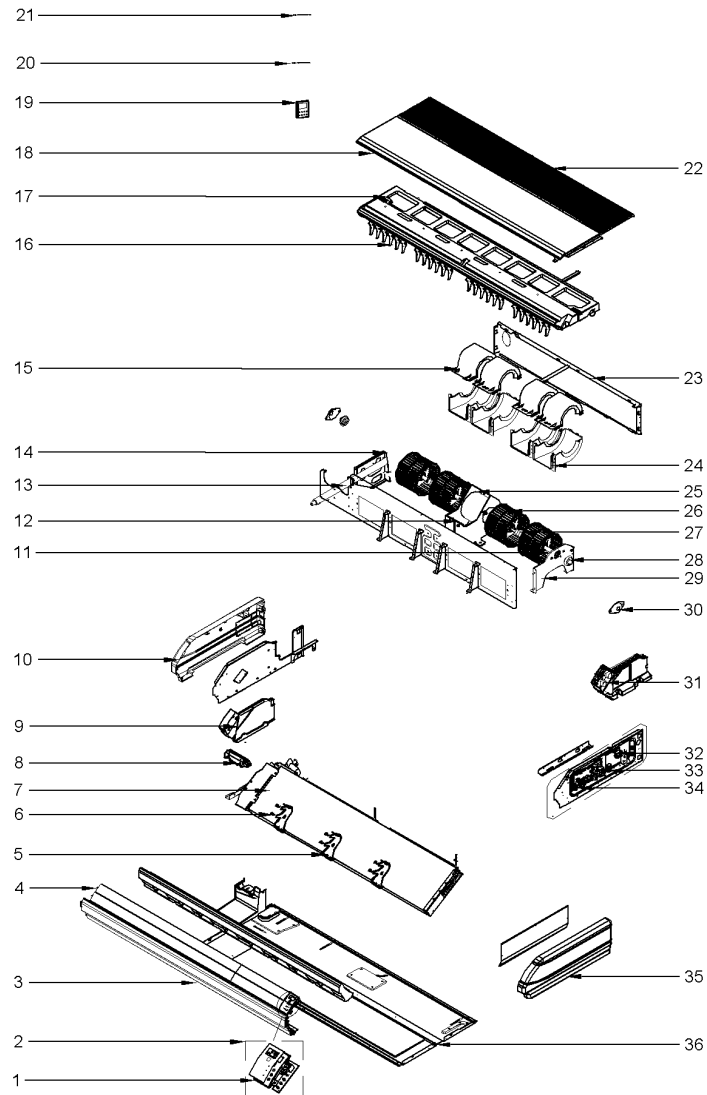
A = First Design Sequence

**Digit 15 – Service Digit**

A = First Sequence

PRO SERIES HP CONVERTIBLE FLOOR/CEILING 75010943  
4.0 TON

REV.  
A



This is a typical illustration. The unit in the field may not appear exactly as shown.

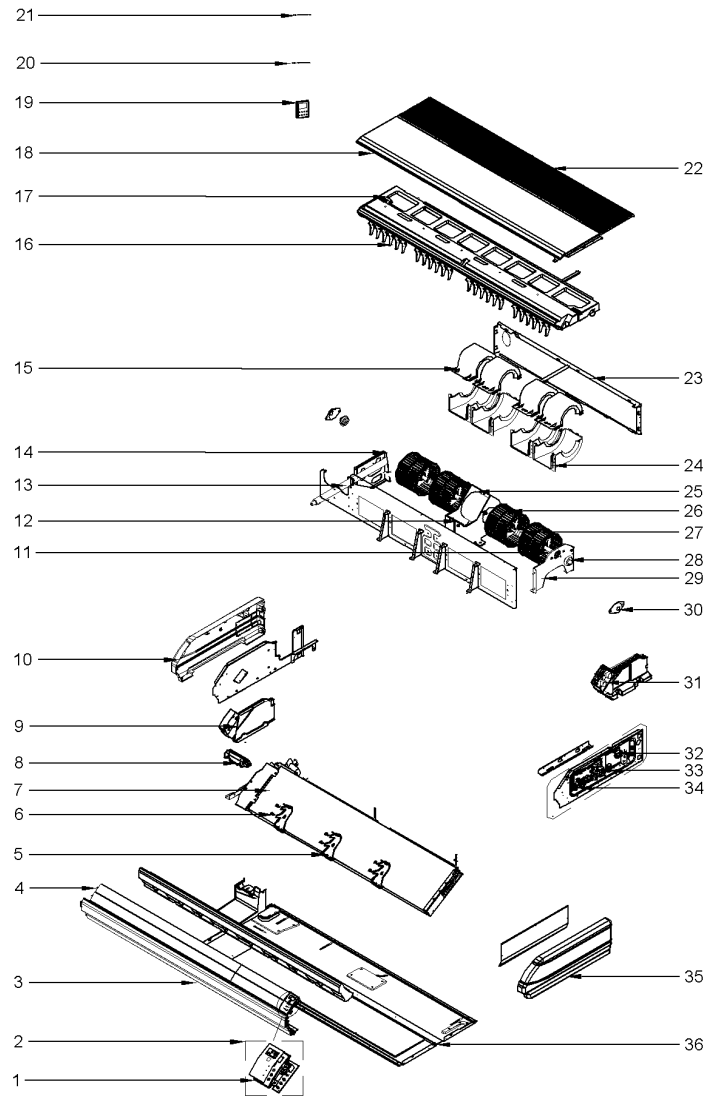
Parts List Number :4TXUUP1#4TXUUP1

Model Number :4UXX2048A10N0AA

Part No.	Reference No.	Quantity	Description
75010943_4TXUUP1_359035~P	*		GENERAL ASSEMBLY 4.0 TON CONVERTIBLE FLOOR/CEILING PARTS LIST

PRO SERIES HP CONVERTIBLE FLOOR/CEILING 75010943  
4.0 TON

REV  
A



This is a typical illustration. The unit in the field may not appear exactly as shown.

Parts List Number :4TXUUP1#4TXUUP1

Model Number :4UXX2048A10N0AA

Part No.	Reference No.	Quantity	Description
PLT05682	1	1	PLATE; FIXED MOUNT
BRD05289	2	1	BOARD; DISPLAY
PNL32550	3	1	PANEL; FRONT CONNECTION BOARD
LVR01178	4	2	LOUVER; GUIDE
SUP05973	5	3	SUPPORT;
SHF03613	6	6	SHAFT; ROTATING
COL25627	7	1	COIL; EVAPORATOR ASSY
PLT05681	8	1	PLATE; BOARD OF WATER RELEASING FLUME
BUS02179	9	2	BUSHING; AXILE
COV04962	10	1	COVER; RIGHT, PLATE
SHF03617	11	2	SHAFT; ROTARY AXIS SUB-ASSY
SUP05975	12	1	SUPPORT; OF MOTOR BEARING
PIP01684	13	1	PIPE; DRAIN PIPE
SUP05976	14	1	SUPPORT;
HUS04197	15	4	HOUSING; REAR VOLUTE CASING
LVR01176	16	24	LOUVER; AIR
PAN03889	17	1	PAN; WATER TRAY ASSY
PNL32553	18	1	PANEL; TOP COVER BOARD SUB-ASSY
BRD05262	19	1	BOARD; DISPLAY (WIRED CONTROLLER XK60)
SEN01818	20	1	SENSOR; ROOM SENSOR( 390001912)
SEN02407	21	1	SENSOR; TUBE
GRL01970	22	4	GRILLE; FRONT, SUB-ASSY
PNL32552	23	1	PANEL; REAR CONNECTION BOARD
HUS04196	24	4	HOUSING; FRONT VOLUTE CASING
MOT17112	25	1	MOTOR; BRUSHLESS DC
FAN05497	26	4	FAN; CENTRIFUGAL
UNN00978	27	2	UNION; JOINT SLACK
GKT04804	28	2	GASKET; O-GASKET OF BEARING
BRK04591	29	1	BRACKET; 1
SUP05970	30	2	SUPPORT; OF MOTOR BEARING
MOT16160	31	2	MOTOR; STEP
BRD03952	32	1	BOARD; TERMINAL BOARD( 42010178)
BRD05246	33	1	BOARD; TERMINAL
BRD05290	34	1	BOARD; MAIN
COV04963	35	1	LEFT COVER PLATE
PNL32551	36	1	PANEL; REAR SIDE PLATE SUB-ASSY