

<b>Part No.</b>	<b>Reference No.</b>	<b>Quantity</b>	<b>Description</b>
4TXUUP1_4TXUUP1_147268~P	*		4TXUUP1 PARTS LIST
75010942#4TXUUP1~S	*		GENERAL ASSEMBLY 2.5, 3.0 & 3.5 TON CONVERTIBLE FLOOR/CEILING
75010947#4TXUUP1~S	*		MODEL NOMENCLATURE

NO GRAPHIC AVAILABLE

75013702

REV  
A

**NO  
GRAPHIC  
AVAILABLE**

MODEL NUMBER DESCRIPTION 75010947  
PRO SERIES HEAT PUMP CONVERTIBLE MODEL NOMENCLATURE

REV.  
A

*Example Model Number:*  
**4UXX2048A10N0AA**  
1 - - - 5 - - - - 10 - - - - 15

**Digit 1 – Refrigerant**

4 = R-410A

**Digit 2 – Brand**

U = Pro Series

**Digit 3 – Functional Type**

X = Heat Pump Inverter

**Digit 4 – Configuration Indoor Unit**

X = Convertible (Floor/Ceiling) Mount

**Digits 5, 6 – Efficiency Tier**

20 = Up to 20 SEER Pro Series

**Digits 7, 8 – Nominal Capacity (Btu/h x 1,000)**

18 = 18,000 Btu/h

24 = 24,000 Btu/h

30 = 30,000 Btu/h

36 = 36,000 Btu/h

42 = 42,000 Btu/h

48 = 48,000 Btu/h

**Digit 9 – Major Development Sequence**

A = First Development Sequence

**Digit 10 – Electric Power Supply**

1 = 208-230/60/1

**Digit 11 – Reserved for Future Use**

0 = Not Currently Used

**Digit 12 – Regional Markets Served**

N = North America Market

**Digit 13 – Reserved for Future Use**

0 = Not Currently Used

**Digit 14 – Minor Design Sequence**

A = First Design Sequence

**Digit 15 – Service Digit**

A = First Sequence

Part No.	Reference No.	Quantity	Description
75010947_4TXUUP1_147274~P	*		MODEL NOMENCLATURE PARTS LIST

MODEL NUMBER DESCRIPTION 75010947  
PRO SERIES HEAT PUMP CONVERTIBLE MODEL NOMENCLATURE

REV.  
A

*Example Model Number:*  
**4UXX2048A10N0AA**  
1 - - - 5 - - - - 10 - - - - 15

**Digit 1 – Refrigerant**

4 = R-410A

**Digit 2 – Brand**

U = Pro Series

**Digit 3 – Functional Type**

X = Heat Pump Inverter

**Digit 4 – Configuration Indoor Unit**

X = Convertible (Floor/Ceiling) Mount

**Digits 5, 6 – Efficiency Tier**

20 = Up to 20 SEER Pro Series

**Digits 7, 8 – Nominal Capacity (Btu/h x 1,000)**

18 = 18,000 Btu/h

24 = 24,000 Btu/h

30 = 30,000 Btu/h

36 = 36,000 Btu/h

42 = 42,000 Btu/h

48 = 48,000 Btu/h

**Digit 9 – Major Development Sequence**

A = First Development Sequence

**Digit 10 – Electric Power Supply**

1 = 208-230/60/1

**Digit 11 – Reserved for Future Use**

0 = Not Currently Used

**Digit 12 – Regional Markets Served**

N = North America Market

**Digit 13 – Reserved for Future Use**

0 = Not Currently Used

**Digit 14 – Minor Design Sequence**

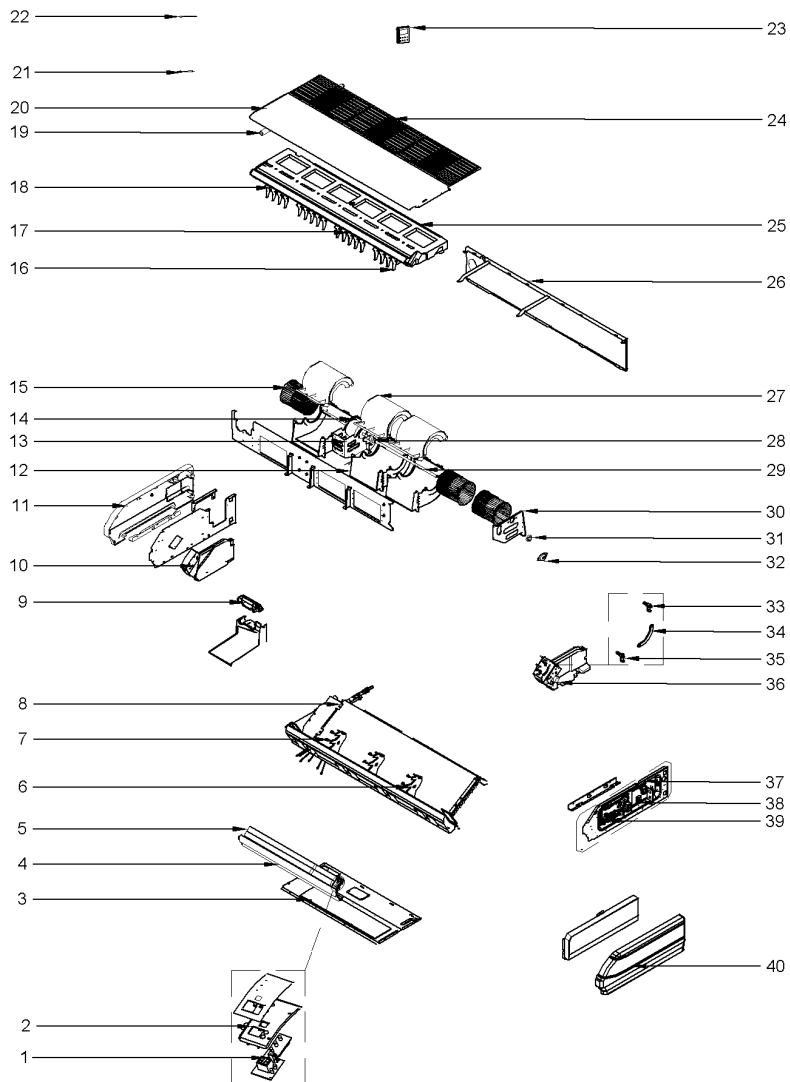
A = First Design Sequence

**Digit 15 – Service Digit**

A = First Sequence

PRO SERIES HP CONVERTIBLE FLOOR/CEILING 75010942  
2.5, 3.0 & 3.5 TON

REV.  
A



This is a typical illustration. The unit in the field may not appear exactly as shown.

Parts List Number :4TXUUP1#4TXUUP1

Model Number :4UXX2042A10N0AA

Part No.	Reference No.	Quantity	Description
75010942_4TXUUP1_147270~P	*		GENERAL ASSEMBLY 2.5, 3.0 & 3.5 TON CONVERTIBLE FLOOR/CEILING PARTS LIST



Parts List Number :4TXUUP1#4TXUUP1

Model Number :4UXX2042A10N0AA

Part No.	Reference No.	Quantity	Description
BRD05289	1	1	BOARD; DISPLAY
PLT05682	2	1	PLATE; FIXED MOUNT
PNL32548	3	1	PANEL; REAR SIDE PLATE ASSY
PNL32547	4	1	PANEL; FRONT CONNECTION BOARD
LVR01177	5	2	LOUVER; GUIDE
SUP05973	6	3	SUPPORT;
SHF03613	7	6	SHAFT; ROTATING
COL25626	8	1	COIL; EVAPORATOR ASSY
PLT05681	9	1	PLATE; BOARD OF WATER RELEASING FLUME
BUS02179	10	2	BUSHING; AXILE
COV04962	11	1	COVER; RIGHT, PLATE
HUS04196	12	3	HOUSING; FRONT VOLUTE CASING
SUP05974	13	1	SUPPORT; OF MOTOR BEARING
MOT17111	14	1	MOTOR; BRUSHLESS DC
FAN05497	15	3	FAN; CENTRIFUGAL
LVR01176	16	18	LOUVER; AIR
LEV00407	17	2	LEVER; SWING
LEV00406	18	2	LEVER; SWING
PIP01684	19	1	PIPE; DRAIN PIPE
COV04964	20	1	COVER; TOP, BOARD SUB-ASSY
SEN01818	21	1	SENSOR; ROOM SENSOR( 390001912)
SEN02406	22	1	SENSOR; TEMPERATURE
BRD05262	23	1	BOARD; DISPLAY (WIRED CONTROLLER XK60)
GRL01971	24	3	GRILLE; FRONT, SUB-ASSY
PNL32549	26	1	PANEL; REAR CONNECTION BOARD
HUS04197	27	3	HOUSING; REAR VOLUTE CASING
UNN00978	28	1	UNION; JOINT SLACK
SHF03617	29	1	SHAFT; ROTARY AXIS SUB-ASSY
BRK04591	30	1	BRACKET; 1
GKT04804	31	1	GASKET; O-GASKET OF BEARING
SUP05970	32	1	SUPPORT; OF MOTOR BEARING
SHF03916	33	1	SHAFT; ROTATING SHAFT
ROD01429	34	1	ROD; CONNECTING
SHF03614	35	1	SHAFT; ROTATING
MOT16160	36	1	MOTOR; STEP
BRD03952	37	1	BOARD; TERMINAL BOARD( 42010178)
BRD05246	38	1	BOARD; TERMINAL
BRD05290	39	1	BOARD; MAIN
COV04963	40	1	LEFT COVER PLATE