

| Part No. | Reference No. | Quantity | Description |
|--------------------------|----------------------|-----------------|--|
| 4TXUUP1_4TXUUP1_147268~P | * | | 4TXUUP1 PARTS LIST |
| 75010838#4TXUUP1~S | * | | GENERAL ASSEMBLY CASSETTE COVERS 1.5 TON |
| 75010846#4TXUUP1~S | * | | MODEL NOMENCLATURE |

NO GRAPHIC AVAILABLE

75013702

REV
A

**NO
GRAPHIC
AVAILABLE**

MODEL NUMBER DESCRIPTION
INDOOR PRO SERIES MODEL NOMENCLATURE

75010846

REV.
A

Example Model Number:
4 U X C 2 0 1 8 A 1 0 N 0 A A
1 - - - 5 - - - - 10 - - - - 15

Digit 1 – Refrigerant

4 = R-410A

Digit 2 – Brand

U = Pro Series
M = Indoor Unit

Digit 3 – Functional Type

X = Heat Pump Inverter

Digit 4 – Configuration Indoor Unit

C = Cassette Unit
D = Concealed (Duct) Unit
L = Cassette Covers

Digits 5, 6 – Efficiency Tier

20 = Up to 20 SEER Pro Series

Digits 7, 8 – Nominal Capacity (Btu/h x 1,000)

18 = 18,000 Btu/h
24 = 24,000 Btu/h
30 = 30,000 Btu/h
36 = 36,000 Btu/h
42 = 42,000 Btu/h
48 = 48,000 Btu/h

Digit 9 – Major Development Sequence

A = First Development Sequence

Digit 10 – Electric Power Supply

1 = 208-230/60/1

Digit 11 – Reserved for Future Use

0 = Not Currently Used

Digit 12 – Regional Markets Served

N = North America Market

Digit 13 – Reserved for Future Use

0 = Not Currently Used

Digit 14 – Minor Design Sequence

A = First Design Sequence

Digit 15 – Service Digit

A = First Sequence

| Part No. | Reference No. | Quantity | Description |
|---------------------------|---------------|----------|-------------------------------|
| 75010846_4TXUUP1_182410~P | * | | MODEL NOMENCLATURE PARTS LIST |

MODEL NUMBER DESCRIPTION
INDOOR PRO SERIES MODEL NOMENCLATURE

75010846

REV.
A

Example Model Number:
4 U X C 2 0 1 8 A 1 0 N 0 A A
1 - - - 5 - - - - 10 - - - - 15

Digit 1 – Refrigerant

4 = R-410A

Digit 2 – Brand

U = Pro Series
M = Indoor Unit

Digit 3 – Functional Type

X = Heat Pump Inverter

Digit 4 – Configuration Indoor Unit

C = Cassette Unit
D = Concealed (Duct) Unit
L = Cassette Covers

Digits 5, 6 – Efficiency Tier

20 = Up to 20 SEER Pro Series

Digits 7, 8 – Nominal Capacity (Btu/h x 1,000)

18 = 18,000 Btu/h
24 = 24,000 Btu/h
30 = 30,000 Btu/h
36 = 36,000 Btu/h
42 = 42,000 Btu/h
48 = 48,000 Btu/h

Digit 9 – Major Development Sequence

A = First Development Sequence

Digit 10 – Electric Power Supply

1 = 208-230/60/1

Digit 11 – Reserved for Future Use

0 = Not Currently Used

Digit 12 – Regional Markets Served

N = North America Market

Digit 13 – Reserved for Future Use

0 = Not Currently Used

Digit 14 – Minor Design Sequence

A = First Design Sequence

Digit 15 – Service Digit

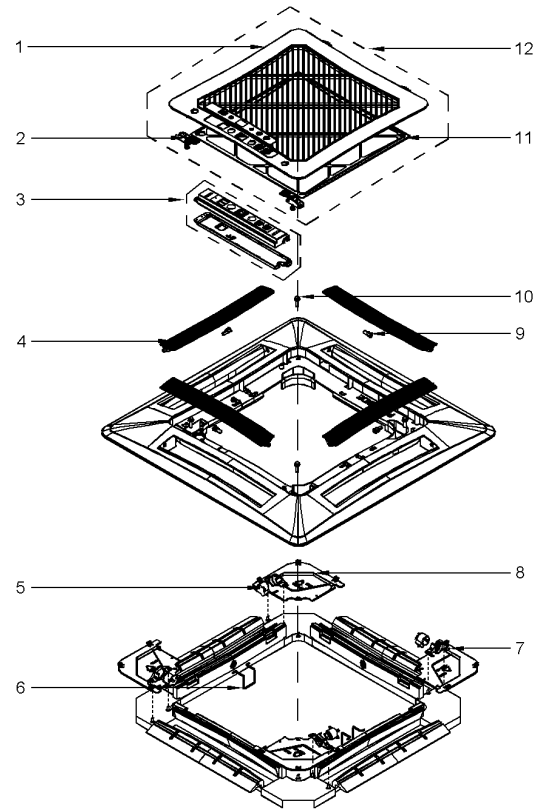
A = First Sequence

GENERAL ASSEMBLY

75010838

REV.
A

INDOOR 1.5 TON PRO SERIES CASSETTE COVERS
TYPICAL ILLUSTRATION



Parts List Number :4TXUUP1#4TXUUP1

Model Number :4UXL2018A10N0AA

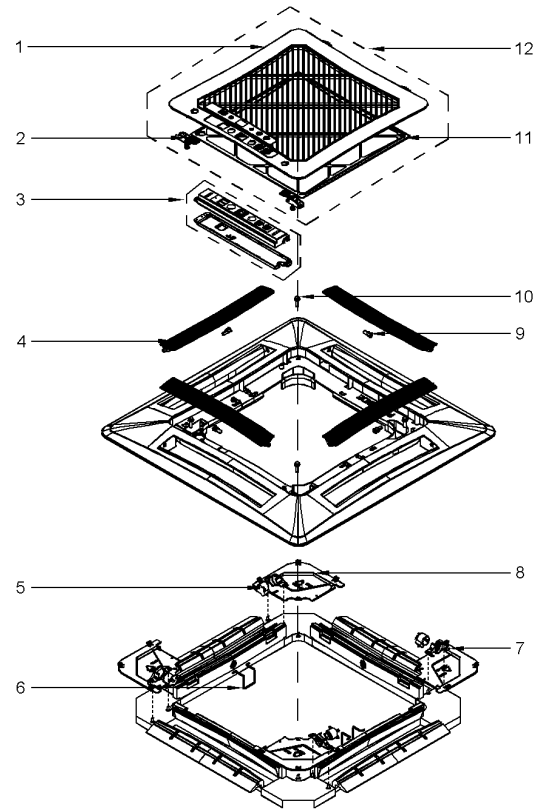
| Part No. | Reference No. | Quantity | Description |
|---------------------------|---------------|----------|---|
| 75010838_4TXUUP1_299900~P | * | | GENERAL ASSEMBLY CASSETTE COVERS 1.5 TON PARTS LIST |

GENERAL ASSEMBLY

75010838

REV.
A

INDOOR 1.5 TON PRO SERIES CASSETTE COVERS
TYPICAL ILLUSTRATION



Parts List Number :4TXUUP1#4TXUUP1

Model Number :4UXL2018A10N0AA

| Part No. | Reference No. | Quantity | Description |
|-----------------|----------------------|-----------------|---------------------------|
| GRL01957 | 1 | 1 | GRILLE; FRONT |
| HLD00622 | 2 | 2 | HOLDER; FASTENER SUB-ASSY |
| BRD05263 | 3 | 1 | BOARD; RECEIVER |
| LVR01172 | 4 | 4 | LOUVER; GUIDE |
| MOT17034 | 5 | 4 | MOTOR; STEP |
| HLD00623 | 6 | 2 | HOLDER; HOOK |
| BUS02178 | 7 | 4 | BUSHING; GLAND BUSH |
| COV04950 | 8 | 4 | COVER; CORNER |
| BUS02159 | 9 | 4 | BUSHING; LEFT AXILE |
| BLT01013 | 10 | 4 | BOLT; MOUNTING |
| FLR08140 | 11 | 1 | FILTER; SUB-ASSY |
| GRL01954 | 12 | 1 | GRILLE; FRONT ASSY |