

Part No.	Reference No.	Quantity	Description
4TXUUP1_4TXUUP1_147268~P	*		4TXUUP1 PARTS LIST
75010870#4TXUUP1~S	*		GENERAL ASSEMBLY CONCEALED (DUCT) 4.0 TON
75010846#4TXUUP1~S	*		MODEL NOMENCLATURE

NO GRAPHIC AVAILABLE

75013702

REV
A

**NO
GRAPHIC
AVAILABLE**

MODEL NUMBER DESCRIPTION
INDOOR PRO SERIES MODEL NOMENCLATURE

75010846

REV.
A

Example Model Number:
4UXC2018A10N0AA
1 - - - 5 - - - - 10 - - - - 15

Digit 1 – Refrigerant

4 = R-410A

Digit 2 – Brand

U = Pro Series
M = Indoor Unit

Digit 3 – Functional Type

X = Heat Pump Inverter

Digit 4 – Configuration Indoor Unit

C = Cassette Unit
D = Concealed (Duct) Unit
L = Cassette Covers

Digits 5, 6 – Efficiency Tier

20 = Up to 20 SEER Pro Series

Digits 7, 8 – Nominal Capacity (Btu/h x 1,000)

18 = 18,000 Btu/h
24 = 24,000 Btu/h
30 = 30,000 Btu/h
36 = 36,000 Btu/h
42 = 42,000 Btu/h
48 = 48,000 Btu/h

Digit 9 – Major Development Sequence

A = First Development Sequence

Digit 10 – Electric Power Supply

1 = 208-230/60/1

Digit 11 – Reserved for Future Use

0 = Not Currently Used

Digit 12 – Regional Markets Served

N = North America Market

Digit 13 – Reserved for Future Use

0 = Not Currently Used

Digit 14 – Minor Design Sequence

A = First Design Sequence

Digit 15 – Service Digit

A = First Sequence

Part No.	Reference No.	Quantity	Description
75010846_4TXUUP1_182410~P	*		MODEL NOMENCLATURE PARTS LIST

MODEL NUMBER DESCRIPTION
INDOOR PRO SERIES MODEL NOMENCLATURE

75010846

REV.
A

Example Model Number:
4UXC2018A10N0AA
1 - - - 5 - - - - 10 - - - - 15

Digit 1 – Refrigerant

4 = R-410A

Digit 2 – Brand

U = Pro Series
M = Indoor Unit

Digit 3 – Functional Type

X = Heat Pump Inverter

Digit 4 – Configuration Indoor Unit

C = Cassette Unit
D = Concealed (Duct) Unit
L = Cassette Covers

Digits 5, 6 – Efficiency Tier

20 = Up to 20 SEER Pro Series

Digits 7, 8 – Nominal Capacity (Btu/h x 1,000)

18 = 18,000 Btu/h
24 = 24,000 Btu/h
30 = 30,000 Btu/h
36 = 36,000 Btu/h
42 = 42,000 Btu/h
48 = 48,000 Btu/h

Digit 9 – Major Development Sequence

A = First Development Sequence

Digit 10 – Electric Power Supply

1 = 208-230/60/1

Digit 11 – Reserved for Future Use

0 = Not Currently Used

Digit 12 – Regional Markets Served

N = North America Market

Digit 13 – Reserved for Future Use

0 = Not Currently Used

Digit 14 – Minor Design Sequence

A = First Design Sequence

Digit 15 – Service Digit

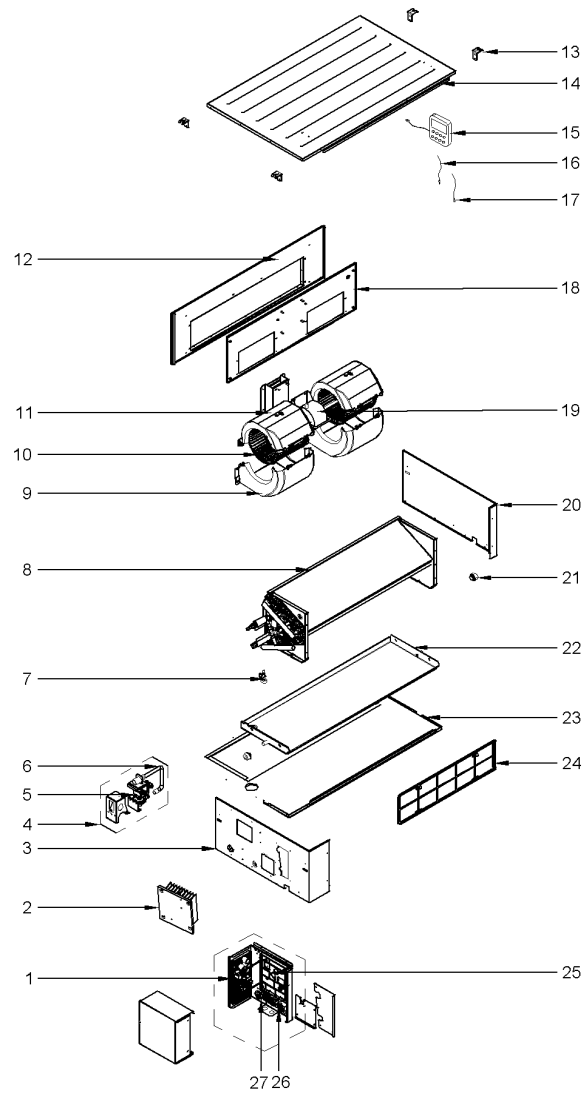
A = First Sequence

GENERAL ASSEMBLY

75010870

REV.
A

INDOOR 4.0 TON PRO SERIES HEAT PUMP INVERTER CONCEALED
TYPICAL ILLUSTRATION



Parts List Number :4TXUUP1#4TXUUP1

Model Number :4UXD2048A10N0AA

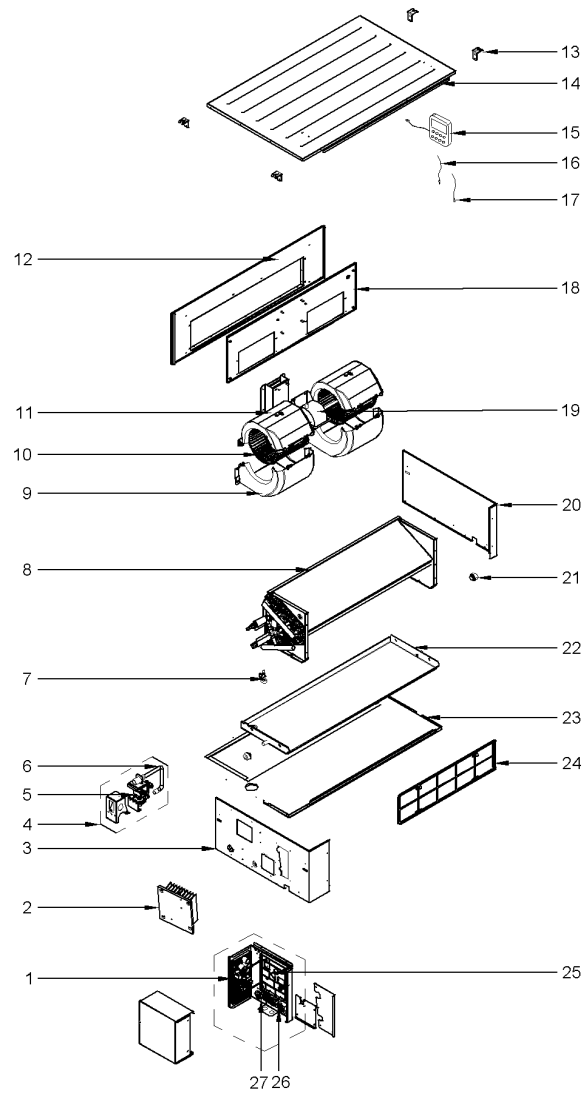
Part No.	Reference No.	Quantity	Description
75010870_4TXUUP1_360218~P	*		GENERAL ASSEMBLY CONCEALED (DUCT) 4.0 TON PARTS LIST

GENERAL ASSEMBLY

75010870

REV.
A

INDOOR 4.0 TON PRO SERIES HEAT PUMP INVERTER CONCEALED
TYPICAL ILLUSTRATION



Parts List Number :4TXUUP1#4TXUUP1

Model Number :4UXD2048A10N0AA

Part No.	Reference No.	Quantity	Description
BRD05259	1	1	BOARD; MAIN
EXC02635	2	1	EXCHANGER; RADIATOR
PNL32150	3	1	PANEL; RIGHT SIDE PLATE SUB-ASSY
PMP02196	4	1	PUMP; WATER, ASSY
PMP02199	5	1	PUMP; WATER
PIP02079	6	1	PIPE; PUMP DRAIN
SWT03914	7	1	SWITCH; WATER LEVEL
COL25489	8	1	COIL; GREE, 01025200055
HUS04187	9	2	HOUSING; PROPELLER(LOWER)
WHL03309	10	2	WHEEL; CENTRIFUGAL FAN
HUS04186	11	2	HOUSING; PROPELLER(UPPER)
PNL32151	12	1	PANEL; FRONT SIDE PLATE SUB-ASSY
BRK04555	13	4	BRACKET; HOOK
COV04936	14	1	COVER; BOTTOM PLATE ASSY
BRD05262	15	1	BOARD; DISPLAY (WIRED CONTROLLER XK60)
SEN02374	16	1	SENSOR; TUBE
SEN02373	17	1	SENSOR; AMBIENT TEMPERATURE
PNL32159	18	1	PANEL; BLOWER MOUNTING PLATE SUB-ASSY
MOT17032	19	1	MOTOR; BRUSHLESS DC
PNL32148	20	1	PANEL; LEFT SIDE PLATE SUB-ASSY
PLU01261	21	2	PLUG; CHOKE OF DRAIN PIPE
PAN03865	22	1	PAN; WATER TRAY ASSY
COV04935	23	1	COVER; TOP BOARD ASSY
FLR08136	24	2	FILTER; SUB-ASSY
BRD05252	25	1	BOARD; MAIN
BRD05239	26	1	BOARD; TERMINAL
BRD05246	27	1	BOARD; TERMINAL