

<b>Part No.</b>	<b>Reference No.</b>	<b>Quantity</b>	<b>Description</b>
4TXUUP1_4TXUUP1_147268~P	*		4TXUUP1 PARTS LIST
75010869#4TXUUP1~S	*		GENERAL ASSEMBLY CONCEALED (DUCT) 3.0, 3.5 TON
75010846#4TXUUP1~S	*		MODEL NOMENCLATURE

NO GRAPHIC AVAILABLE

75013702

REV  
A

**NO  
GRAPHIC  
AVAILABLE**

MODEL NUMBER DESCRIPTION  
INDOOR PRO SERIES MODEL NOMENCLATURE

75010846

REV.  
A

*Example Model Number:*  
**4UXC2018A10N0AA**  
1 - - - 5 - - - - 10 - - - - 15

**Digit 1 – Refrigerant**

4 = R-410A

**Digit 2 – Brand**

U = Pro Series  
M = Indoor Unit

**Digit 3 – Functional Type**

X = Heat Pump Inverter

**Digit 4 – Configuration Indoor Unit**

C = Cassette Unit  
D = Concealed (Duct) Unit  
L = Cassette Covers

**Digits 5, 6 – Efficiency Tier**

20 = Up to 20 SEER Pro Series

**Digits 7, 8 – Nominal Capacity (Btu/h x 1,000)**

18 = 18,000 Btu/h  
24 = 24,000 Btu/h  
30 = 30,000 Btu/h  
36 = 36,000 Btu/h  
42 = 42,000 Btu/h  
48 = 48,000 Btu/h

**Digit 9 – Major Development Sequence**

A = First Development Sequence

**Digit 10 – Electric Power Supply**

1 = 208-230/60/1

**Digit 11 – Reserved for Future Use**

0 = Not Currently Used

**Digit 12 – Regional Markets Served**

N = North America Market

**Digit 13 – Reserved for Future Use**

0 = Not Currently Used

**Digit 14 – Minor Design Sequence**

A = First Design Sequence

**Digit 15 – Service Digit**

A = First Sequence

Part No.	Reference No.	Quantity	Description
75010846_4TXUUP1_182410~P	*		MODEL NOMENCLATURE PARTS LIST

MODEL NUMBER DESCRIPTION  
INDOOR PRO SERIES MODEL NOMENCLATURE

75010846

REV.  
A

*Example Model Number:*  
**4UXC2018A10N0AA**  
1 - - - 5 - - - - 10 - - - - 15

**Digit 1 – Refrigerant**

4 = R-410A

**Digit 2 – Brand**

U = Pro Series  
M = Indoor Unit

**Digit 3 – Functional Type**

X = Heat Pump Inverter

**Digit 4 – Configuration Indoor Unit**

C = Cassette Unit  
D = Concealed (Duct) Unit  
L = Cassette Covers

**Digits 5, 6 – Efficiency Tier**

20 = Up to 20 SEER Pro Series

**Digits 7, 8 – Nominal Capacity (Btu/h x 1,000)**

18 = 18,000 Btu/h  
24 = 24,000 Btu/h  
30 = 30,000 Btu/h  
36 = 36,000 Btu/h  
42 = 42,000 Btu/h  
48 = 48,000 Btu/h

**Digit 9 – Major Development Sequence**

A = First Development Sequence

**Digit 10 – Electric Power Supply**

1 = 208-230/60/1

**Digit 11 – Reserved for Future Use**

0 = Not Currently Used

**Digit 12 – Regional Markets Served**

N = North America Market

**Digit 13 – Reserved for Future Use**

0 = Not Currently Used

**Digit 14 – Minor Design Sequence**

A = First Design Sequence

**Digit 15 – Service Digit**

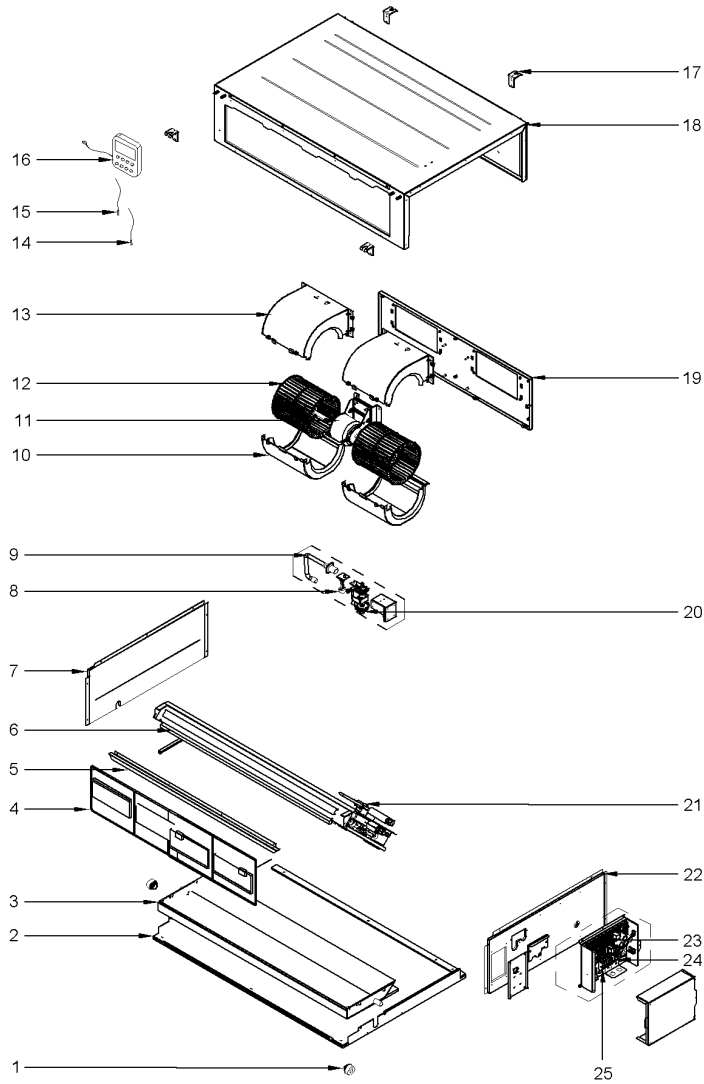
A = First Sequence

GENERAL ASSEMBLY

75010869

REV.  
A

INDOOR 3.0 & 3.5 TON PRO SERIES HEAT PUMP INVERTER CONCEALED  
TYPICAL ILLUSTRATION



Parts List Number :4TXUUP1#4TXUUP1

Model Number :4UXD2036A10N0AA

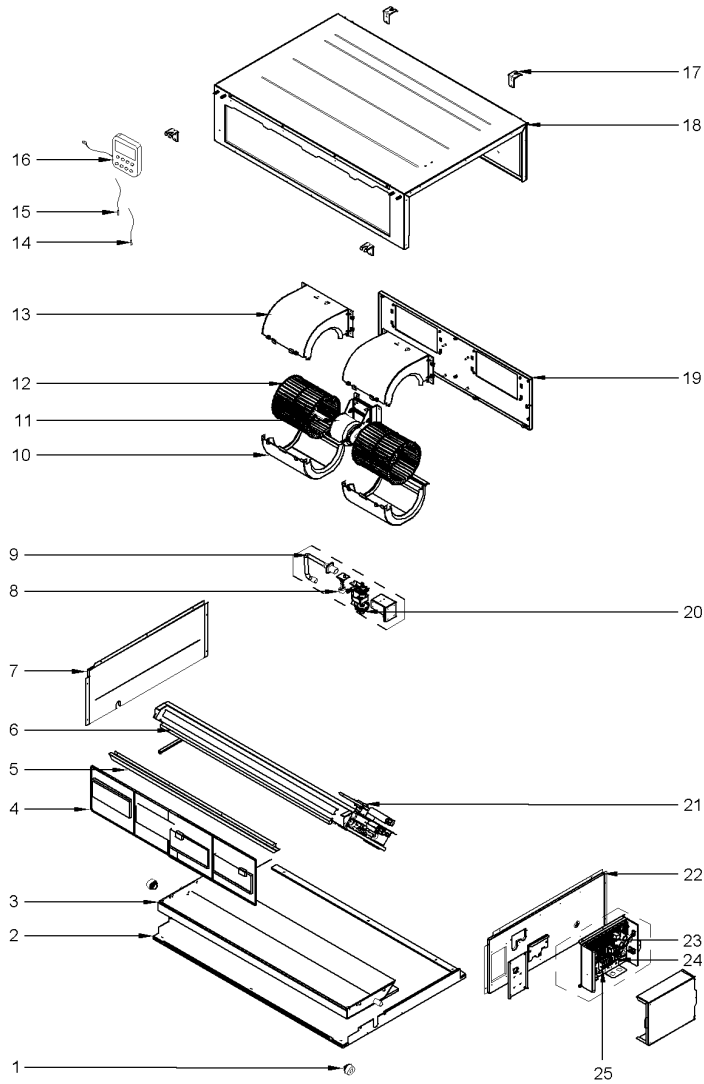
Part No.	Reference No.	Quantity	Description
75010869_4TXUUP1_182411~P	*		GENERAL ASSEMBLY CONCEALED (DUCT) 3.0, 3.5 TON PARTS LIST

GENERAL ASSEMBLY

75010869

REV.  
A

INDOOR 3.0 & 3.5 TON PRO SERIES HEAT PUMP INVERTER CONCEALED  
TYPICAL ILLUSTRATION



Parts List Number :4TXUUP1#4TXUUP1

Model Number :4UXD2036A10N0AA

Part No.	Reference No.	Quantity	Description
PLU01261	1	1	PLUG; CHOKE OF DRAIN PIPE
PNL32145	2	1	PANEL; LOWER COVER PLATE SUB-ASSY
PAN03864	3	1	PAN; WATER TRAY ASSY
FLR08135	4	2	FILTER; SUB-ASSY
PLT05628	5	1	PLATE; SIDE OF AIR INTAKE
COL25488	6	1	COIL; GREE, 01025200052
PNL32139	7	1	PANEL; LEFT SIDE PLATE ASSY
SWT03915	8	1	SWITCH; LIQUID LEVEL
PIP02079	9	1	PIPE; PUMP DRAIN
HUS04185	10	2	HOUSING; PROPELLER(UPPER)
MOT17031	11	1	MOTOR; BRUSHLESS DC
FAN05465	12	2	FAN; CENTRIFUGAL
HUS04184	13	2	HOUSING; PROPELLER(UPPER)
SEN02375	14	1	SENSOR; TEMPERATURE
SEN02373	15	1	SENSOR; AMBIENT TEMPERATURE
BRD05262	16	1	BOARD; DISPLAY (WIRED CONTROLLER XK60)
BRK04556	17	4	BRACKET; HOOK
COV04937	18	1	COVER; TOP BOARD ASSY
PNL32158	19	1	PANEL; BLOWER MOUNTING PLATE SUB-ASSY
PMP02194	20	1	PUMP; WATER
SRA01031	21	1	STRAINER;
PNL32153	22	1	PANEL; RIGHT SIDE PLATE SUB-ASSY
BRD05256	23	1	BOARD; MAIN
BRD05246	24	1	BOARD; TERMINAL
BRD05239	25	1	BOARD; TERMINAL