

Part No.	Reference No.	Quantity	Description
4TXUUP1_4TXUUP1_147268~P	*		4TXUUP1 PARTS LIST
75010868#4TXUUP1~S	*		GENERAL ASSEMBLY CONCEALED (DUCT) 2.0, 2.5 TON
75010846#4TXUUP1~S	*		MODEL NOMENCLATURE

NO GRAPHIC AVAILABLE

75013702

REV
A

**NO
GRAPHIC
AVAILABLE**

MODEL NUMBER DESCRIPTION
INDOOR PRO SERIES MODEL NOMENCLATURE

75010846

REV.
A

Example Model Number:
4UXC2018A10N0AA
1 - - - 5 - - - - 10 - - - - 15

Digit 1 – Refrigerant

4 = R-410A

Digit 2 – Brand

U = Pro Series
M = Indoor Unit

Digit 3 – Functional Type

X = Heat Pump Inverter

Digit 4 – Configuration Indoor Unit

C = Cassette Unit
D = Concealed (Duct) Unit
L = Cassette Covers

Digits 5, 6 – Efficiency Tier

20 = Up to 20 SEER Pro Series

Digits 7, 8 – Nominal Capacity (Btu/h x 1,000)

18 = 18,000 Btu/h
24 = 24,000 Btu/h
30 = 30,000 Btu/h
36 = 36,000 Btu/h
42 = 42,000 Btu/h
48 = 48,000 Btu/h

Digit 9 – Major Development Sequence

A = First Development Sequence

Digit 10 – Electric Power Supply

1 = 208-230/60/1

Digit 11 – Reserved for Future Use

0 = Not Currently Used

Digit 12 – Regional Markets Served

N = North America Market

Digit 13 – Reserved for Future Use

0 = Not Currently Used

Digit 14 – Minor Design Sequence

A = First Design Sequence

Digit 15 – Service Digit

A = First Sequence

Part No.	Reference No.	Quantity	Description
75010846_4TXUUP1_182410~P	*		MODEL NOMENCLATURE PARTS LIST

MODEL NUMBER DESCRIPTION
INDOOR PRO SERIES MODEL NOMENCLATURE

75010846

REV.
A

Example Model Number:
4UXC2018A10N0AA
1 - - - 5 - - - - 10 - - - - 15

Digit 1 – Refrigerant

4 = R-410A

Digit 2 – Brand

U = Pro Series
M = Indoor Unit

Digit 3 – Functional Type

X = Heat Pump Inverter

Digit 4 – Configuration Indoor Unit

C = Cassette Unit
D = Concealed (Duct) Unit
L = Cassette Covers

Digits 5, 6 – Efficiency Tier

20 = Up to 20 SEER Pro Series

Digits 7, 8 – Nominal Capacity (Btu/h x 1,000)

18 = 18,000 Btu/h
24 = 24,000 Btu/h
30 = 30,000 Btu/h
36 = 36,000 Btu/h
42 = 42,000 Btu/h
48 = 48,000 Btu/h

Digit 9 – Major Development Sequence

A = First Development Sequence

Digit 10 – Electric Power Supply

1 = 208-230/60/1

Digit 11 – Reserved for Future Use

0 = Not Currently Used

Digit 12 – Regional Markets Served

N = North America Market

Digit 13 – Reserved for Future Use

0 = Not Currently Used

Digit 14 – Minor Design Sequence

A = First Design Sequence

Digit 15 – Service Digit

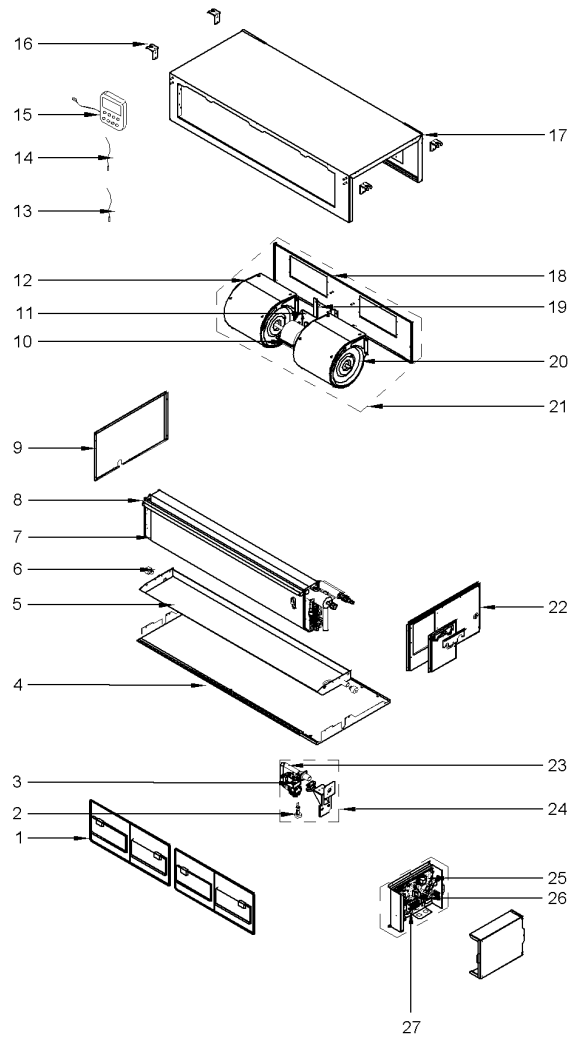
A = First Sequence

GENERAL ASSEMBLY

75010868

REV
A

INDOOR 2.0 & 2.5 TON PRO SERIES HEAT PUMP INVERTER CONCEALED
TYPICAL ILLUSTRATION



Parts List Number :4TXUUP1#4TXUUP1

Model Number :4UXD2030A10N0AA

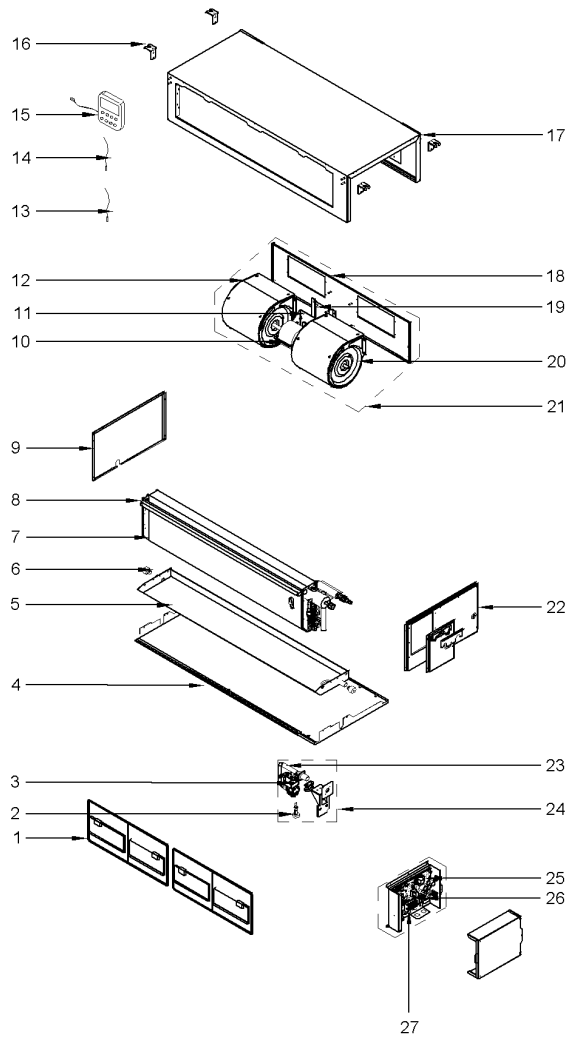
Part No.	Reference No.	Quantity	Description
75010868_4TXUUP1_248723~P	*		GENERAL ASSEMBLY CONCEALED (DUCT) 2.0, 2.5 TON PARTS LIST

GENERAL ASSEMBLY

75010868

REV.
A

INDOOR 2.0 & 2.5 TON PRO SERIES HEAT PUMP INVERTER CONCEALED
TYPICAL ILLUSTRATION



Parts List Number :4TXUUP1#4TXUUP1

Model Number :4UXD2030A10N0AA

Part No.	Reference No.	Quantity	Description
FLR08133	1	2	FILTER; SUB-ASSY
SWT03734	2	1	SWITCH; WATER LEVEL
PMP02194	3	1	PUMP; WATER
PNL32132	4	1	PANEL; LOWER COVER PLATE SUB-ASSY
PAN03863	5	1	PAN; WATER TRAY ASSY
PLU01261	6	2	PLUG; CHOKE OF DRAIN PIPE
COL25487	7	1	COIL; GREE, 01025200050
GRD01920	8	1	GUARD; FILTER GUIDE GROOVE SUB-ASSY
PNL32138	9	1	PANEL; LEFT SIDE PLATE ASSY
MOT17027	10	1	MOTOR; BRUSHLESS DC
SUP05932	11	1	SUPPORT; SUPPORTER
HUS04181	12	1	HOUSING; BLOWER
SEN02374	13	1	SENSOR; TUBE
SEN02373	14	1	SENSOR; AMBIENT TEMPERATURE
BRD05262	15	1	BOARD; DISPLAY (WIRED CONTROLLER XK60)
BRK04554	16	4	BRACKET; HOOK
COV04934	17	1	COVER; TOP BOARD ASSY
PNL32157	18	1	PANEL; BLOWER MOUNTING PLATE SUB-ASSY
SUP05934	19	1	SUPPORT; SUPPORT SUB-ASSY
WHL03308	20	1	WHEEL; BLOWER
FAN05468	21	1	FAN; CENTRIFUGAL FAN ASSY, COMPLETE
PNL32147	22	1	PANEL; RIGHT SIDE PLATE SUB-ASSY
PIP02079	23	1	PIPE; PUMP DRAIN
PMP02192	24	1	PUMP; WATER, ASSY
BRD05256	25	1	BOARD; MAIN
BRD05246	26	1	BOARD; TERMINAL
BRD05239	27	1	BOARD; TERMINAL