

Part No.	Reference No.	Quantity	Description
4TXUUP1_4TXUUP1_147268~P	*		4TXUUP1 PARTS LIST
75010849#4TXUUP1~S	*		GENERAL ASSEMBLY CASSETTE 4.0 TON
75010846#4TXUUP1~S	*		MODEL NOMENCLATURE

NO GRAPHIC AVAILABLE

75013702

REV
A

**NO
GRAPHIC
AVAILABLE**

MODEL NUMBER DESCRIPTION
INDOOR PRO SERIES MODEL NOMENCLATURE

75010846

REV.
A

Example Model Number:
4UXC2018A10N0AA
1 - - - 5 - - - - 10 - - - - 15

Digit 1 – Refrigerant

4 = R-410A

Digit 2 – Brand

U = Pro Series
M = Indoor Unit

Digit 3 – Functional Type

X = Heat Pump Inverter

Digit 4 – Configuration Indoor Unit

C = Cassette Unit
D = Concealed (Duct) Unit
L = Cassette Covers

Digits 5, 6 – Efficiency Tier

20 = Up to 20 SEER Pro Series

Digits 7, 8 – Nominal Capacity (Btu/h x 1,000)

18 = 18,000 Btu/h
24 = 24,000 Btu/h
30 = 30,000 Btu/h
36 = 36,000 Btu/h
42 = 42,000 Btu/h
48 = 48,000 Btu/h

Digit 9 – Major Development Sequence

A = First Development Sequence

Digit 10 – Electric Power Supply

1 = 208-230/60/1

Digit 11 – Reserved for Future Use

0 = Not Currently Used

Digit 12 – Regional Markets Served

N = North America Market

Digit 13 – Reserved for Future Use

0 = Not Currently Used

Digit 14 – Minor Design Sequence

A = First Design Sequence

Digit 15 – Service Digit

A = First Sequence

Part No.	Reference No.	Quantity	Description
75010846_4TXUUP1_182410~P	*		MODEL NOMENCLATURE PARTS LIST

MODEL NUMBER DESCRIPTION
INDOOR PRO SERIES MODEL NOMENCLATURE

75010846

REV.
A

Example Model Number:
4 UXC 20 18 A 10 N0 AA
1 - - - 5 - - - - 10 - - - - 15

Digit 1 – Refrigerant

4 = R-410A

Digit 2 – Brand

U = Pro Series
M = Indoor Unit

Digit 3 – Functional Type

X = Heat Pump Inverter

Digit 4 – Configuration Indoor Unit

C = Cassette Unit
D = Concealed (Duct) Unit
L = Cassette Covers

Digits 5, 6 – Efficiency Tier

20 = Up to 20 SEER Pro Series

Digits 7, 8 – Nominal Capacity (Btu/h x 1,000)

18 = 18,000 Btu/h
24 = 24,000 Btu/h
30 = 30,000 Btu/h
36 = 36,000 Btu/h
42 = 42,000 Btu/h
48 = 48,000 Btu/h

Digit 9 – Major Development Sequence

A = First Development Sequence

Digit 10 – Electric Power Supply

1 = 208-230/60/1

Digit 11 – Reserved for Future Use

0 = Not Currently Used

Digit 12 – Regional Markets Served

N = North America Market

Digit 13 – Reserved for Future Use

0 = Not Currently Used

Digit 14 – Minor Design Sequence

A = First Design Sequence

Digit 15 – Service Digit

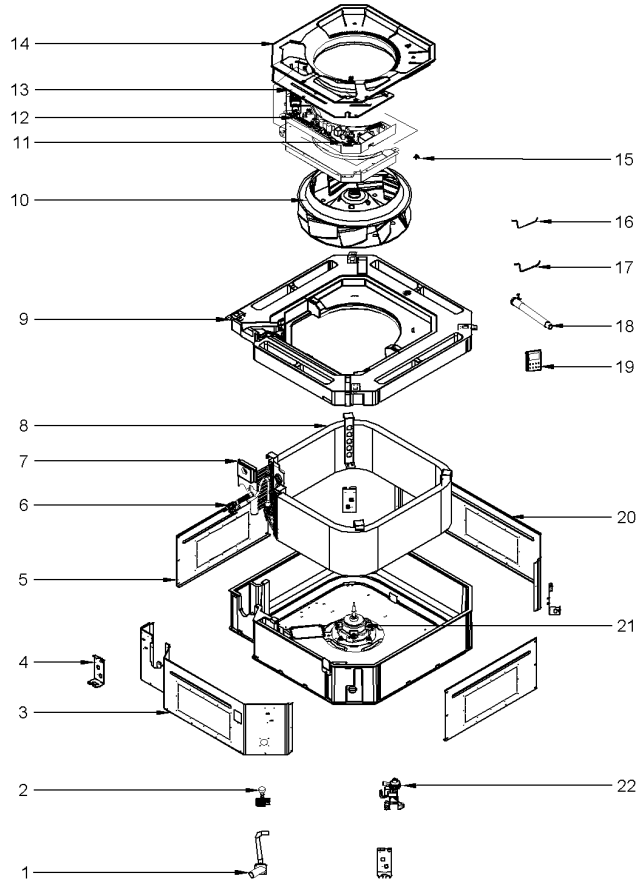
A = First Sequence

GENERAL ASSEMBLY

75010849

REV.
A

INDOOR 4.0 TON PRO SERIES HEAT PUMP INVERTER CASSETTE
TYPICAL ILLUSTRATION



Parts List Number :4TXUUP1#4TXUUP1

Model Number :4UXC2048A10N0AA

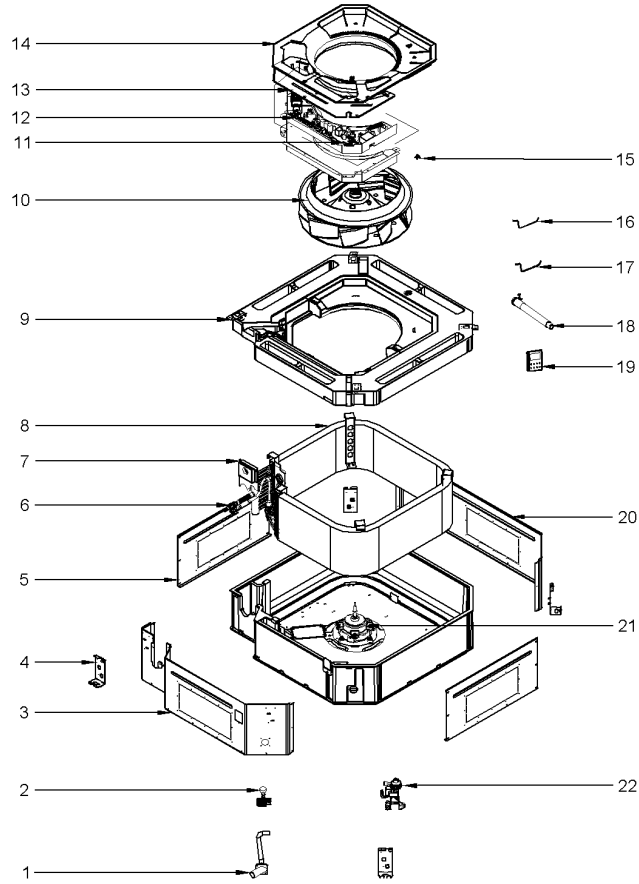
Part No.	Reference No.	Quantity	Description
75010849_4TXUUP1_184683~P	*		GENERAL ASSEMBLY CASSETTE 4.0 TON PARTS LIST

GENERAL ASSEMBLY

75010849

REV.
A

INDOOR 4.0 TON PRO SERIES HEAT PUMP INVERTER CASSETTE
TYPICAL ILLUSTRATION



Parts List Number :4TXUUP1#4TXUUP1

Model Number :4UXC2048A10N0AA

Part No.	Reference No.	Quantity	Description
HSE01877	1	1	HOSE; DRAINAGE
SWT03916	2	1	SWITCH; LIQUID LEVEL, SUB-ASSY
PNL32141	3	1	PANEL; FRONT SIDE PLATE
PLT05626	4	4	PLATE; BODY INSTALLING
PNL32142	5	2	PANEL; RIGHT AND LEFT SIDE PLATE
SRA01030	6	1	STRAINER;
PLT05630	7	1	PLATE; TUBE EXIT
COL25493	8	1	COIL; GREE, 01029400054
PAN03866	9	1	PAN; WATER TRAY ASSY
FAN05464	10	1	FAN; CENTRIFUGAL
BRD05255	11	1	BOARD; MAIN
BRD05246	12	1	BOARD; TERMINAL
BRD05247	13	1	BOARD; TERMINAL
RNG02374	14	1	RING; DIVERSION CIRCLE
SPC00528	15	1	SPACER; FAN FIXER
SEN02375	16	1	SENSOR; TEMPERATURE
SEN01818	17	1	SENSOR; ROOM SENSOR(390001912)
HSE01876	18	1	HOSE; DRAIN SUB-ASSY
BRD05262	19	1	BOARD; DISPLAY (WIRED CONTROLLER XK60)
PNL32140	20	1	PANEL; REAR SIDE PLATE
MOT17028	21	1	MOTOR; BRUSHLESS DC
PMP02199	22	1	PUMP; WATER