

Part No.	Reference No.	Quantity	Description
4TXUUP1_4TXUUP1_147268~P	*		4TXUUP1 PARTS LIST
75010845#4TXUUP1~S	*		GENERAL ASSEMBLY CASSETTE 2.0 TON
75010846#4TXUUP1~S	*		MODEL NOMENCLATURE

NO GRAPHIC AVAILABLE

75013702

REV
A

**NO
GRAPHIC
AVAILABLE**

MODEL NUMBER DESCRIPTION
INDOOR PRO SERIES MODEL NOMENCLATURE

75010846

REV.
A

Example Model Number:
4 UXC 20 18 A 10 N 0 AA
1 - - - 5 - - - - 10 - - - - 15

Digit 1 – Refrigerant

4 = R-410A

Digit 2 – Brand

U = Pro Series
M = Indoor Unit

Digit 3 – Functional Type

X = Heat Pump Inverter

Digit 4 – Configuration Indoor Unit

C = Cassette Unit
D = Concealed (Duct) Unit
L = Cassette Covers

Digits 5, 6 – Efficiency Tier

20 = Up to 20 SEER Pro Series

Digits 7, 8 – Nominal Capacity (Btu/h x 1,000)

18 = 18,000 Btu/h
24 = 24,000 Btu/h
30 = 30,000 Btu/h
36 = 36,000 Btu/h
42 = 42,000 Btu/h
48 = 48,000 Btu/h

Digit 9 – Major Development Sequence

A = First Development Sequence

Digit 10 – Electric Power Supply

1 = 208-230/60/1

Digit 11 – Reserved for Future Use

0 = Not Currently Used

Digit 12 – Regional Markets Served

N = North America Market

Digit 13 – Reserved for Future Use

0 = Not Currently Used

Digit 14 – Minor Design Sequence

A = First Design Sequence

Digit 15 – Service Digit

A = First Sequence

Part No.	Reference No.	Quantity	Description
75010846_4TXUUP1_182410~P	*		MODEL NOMENCLATURE PARTS LIST

MODEL NUMBER DESCRIPTION
INDOOR PRO SERIES MODEL NOMENCLATURE

75010846

REV.
A

Example Model Number:
4 UXC 20 18 A 10 N 0 AA
1 - - - 5 - - - - 10 - - - - 15

Digit 1 – Refrigerant

4 = R-410A

Digit 2 – Brand

U = Pro Series
M = Indoor Unit

Digit 3 – Functional Type

X = Heat Pump Inverter

Digit 4 – Configuration Indoor Unit

C = Cassette Unit
D = Concealed (Duct) Unit
L = Cassette Covers

Digits 5, 6 – Efficiency Tier

20 = Up to 20 SEER Pro Series

Digits 7, 8 – Nominal Capacity (Btu/h x 1,000)

18 = 18,000 Btu/h
24 = 24,000 Btu/h
30 = 30,000 Btu/h
36 = 36,000 Btu/h
42 = 42,000 Btu/h
48 = 48,000 Btu/h

Digit 9 – Major Development Sequence

A = First Development Sequence

Digit 10 – Electric Power Supply

1 = 208-230/60/1

Digit 11 – Reserved for Future Use

0 = Not Currently Used

Digit 12 – Regional Markets Served

N = North America Market

Digit 13 – Reserved for Future Use

0 = Not Currently Used

Digit 14 – Minor Design Sequence

A = First Design Sequence

Digit 15 – Service Digit

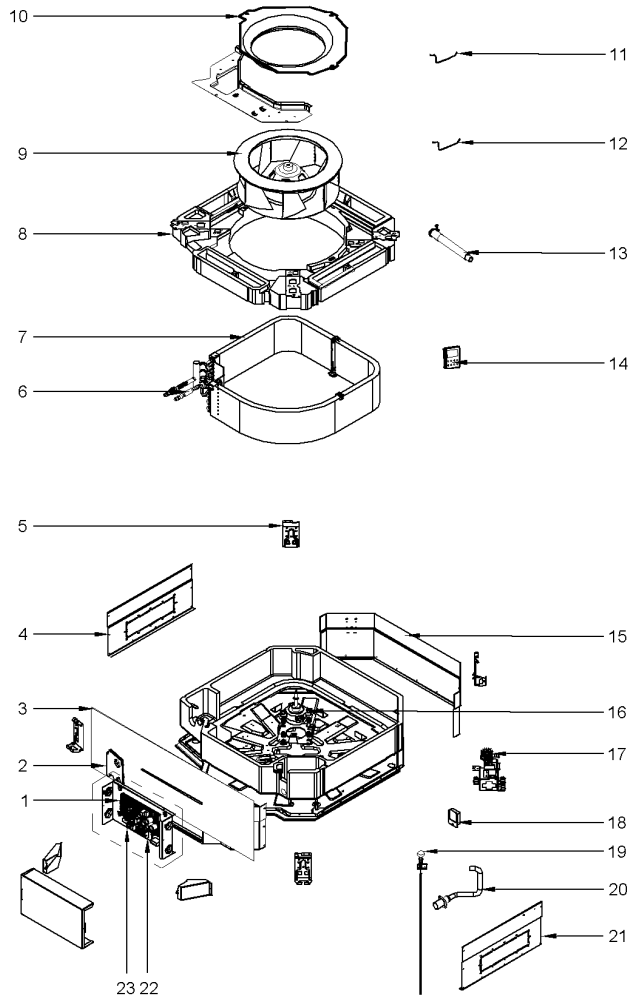
A = First Sequence

GENERAL ASSEMBLY

75010845

REV.
A

INDOOR 2.0 TON PRO SERIES HEAT PUMP INVERTER CASSETTE
TYPICAL ILLUSTRATION



Parts List Number :4TXUUP1#4TXUUP1

Model Number :4UXC2024A10N0AA

Part No.	Reference No.	Quantity	Description
75010845_4TXUUP1_183621~P	*		GENERAL ASSEMBLY CASSETTE 2.0 TON PARTS LIST

Parts List Number :4TXUUP1#4TXUUP1

Model Number :4UXC2024A10N0AA

Part No.	Reference No.	Quantity	Description
BRD05255	1	1	BOARD; MAIN
PLT05629	2	1	PLATE; TUBE EXIT ASSY
PNL29807	3	1	PANEL; FRONT SIDE PLATE
PNL29808	4	1	PANEL; LEFT SIDE PLATE ASSY
PLT05627	5	4	PLATE; BODY INSTALLING
SRA01030	6	1	STRAINER;
COL25492	7	1	COIL; GREE, 01029400045
PAN03410	8	1	PAN; WATER TRAY ASSY
FAN05029	9	1	FAN; CENTRIFUGAL FAN
RNG02372	10	1	RING; DIVERSION CIRCLE
SEN01818	11	1	SENSOR; ROOM SENSOR(390001912)
SEN02375	12	1	SENSOR; TEMPERATURE
HSE01876	13	1	HOSE; DRAIN SUB-ASSY
BRD05262	14	1	BOARD; DISPLAY (WIRED CONTROLLER XK60)
PNL29810	15	1	PANEL; REAR SIDE PLATE
MOT17030	16	1	MOTOR; BRUSHLESS DC
PMP02193	17	1	PUMP; WATER
COV04932	18	1	COVER; PUMP COVER BOARD ASSY
SWT03733	19	1	SWITCH; WATER LEVEL
PIP02078	20	1	PIPE; PUMP DRAIN
PNL32137	21	1	PANEL; RIGHT SIDE PLATE ASSY
BRD05247	22	1	BOARD; TERMINAL
BRD05246	23	1	BOARD; TERMINAL