

Part No.	Reference No.	Quantity	Description
4TXUUP1_4TXUUP1_147268~P	*		4TXUUP1 PARTS LIST
75010844#4TXUUP1~S	*		GENERAL ASSEMBLY CASSETTE 1.5 TON
75010846#4TXUUP1~S	*		MODEL NOMENCLATURE
75011584#4TXUUP1~S	*		WIRE CABLE

NO GRAPHIC AVAILABLE

75013702

REV
A

**NO
GRAPHIC
AVAILABLE**

MODEL NUMBER DESCRIPTION
INDOOR PRO SERIES MODEL NOMENCLATURE

75010846

REV.
A

Example Model Number:
4 UXC 20 18 A 10 N 0 AA
1 - - - 5 - - - - 10 - - - - 15

Digit 1 – Refrigerant

4 = R-410A

Digit 2 – Brand

U = Pro Series
M = Indoor Unit

Digit 3 – Functional Type

X = Heat Pump Inverter

Digit 4 – Configuration Indoor Unit

C = Cassette Unit
D = Concealed (Duct) Unit
L = Cassette Covers

Digits 5, 6 – Efficiency Tier

20 = Up to 20 SEER Pro Series

Digits 7, 8 – Nominal Capacity (Btu/h x 1,000)

18 = 18,000 Btu/h
24 = 24,000 Btu/h
30 = 30,000 Btu/h
36 = 36,000 Btu/h
42 = 42,000 Btu/h
48 = 48,000 Btu/h

Digit 9 – Major Development Sequence

A = First Development Sequence

Digit 10 – Electric Power Supply

1 = 208-230/60/1

Digit 11 – Reserved for Future Use

0 = Not Currently Used

Digit 12 – Regional Markets Served

N = North America Market

Digit 13 – Reserved for Future Use

0 = Not Currently Used

Digit 14 – Minor Design Sequence

A = First Design Sequence

Digit 15 – Service Digit

A = First Sequence

Part No.	Reference No.	Quantity	Description
75010846_4TXUUP1_182410~P	*		MODEL NOMENCLATURE PARTS LIST

MODEL NUMBER DESCRIPTION
INDOOR PRO SERIES MODEL NOMENCLATURE

75010846

REV.
A

Example Model Number:
4 UXC 20 18 A 10 N 0 AA
1 - - - 5 - - - - 10 - - - - 15

Digit 1 – Refrigerant

4 = R-410A

Digit 2 – Brand

U = Pro Series
M = Indoor Unit

Digit 3 – Functional Type

X = Heat Pump Inverter

Digit 4 – Configuration Indoor Unit

C = Cassette Unit
D = Concealed (Duct) Unit
L = Cassette Covers

Digits 5, 6 – Efficiency Tier

20 = Up to 20 SEER Pro Series

Digits 7, 8 – Nominal Capacity (Btu/h x 1,000)

18 = 18,000 Btu/h
24 = 24,000 Btu/h
30 = 30,000 Btu/h
36 = 36,000 Btu/h
42 = 42,000 Btu/h
48 = 48,000 Btu/h

Digit 9 – Major Development Sequence

A = First Development Sequence

Digit 10 – Electric Power Supply

1 = 208-230/60/1

Digit 11 – Reserved for Future Use

0 = Not Currently Used

Digit 12 – Regional Markets Served

N = North America Market

Digit 13 – Reserved for Future Use

0 = Not Currently Used

Digit 14 – Minor Design Sequence

A = First Design Sequence

Digit 15 – Service Digit

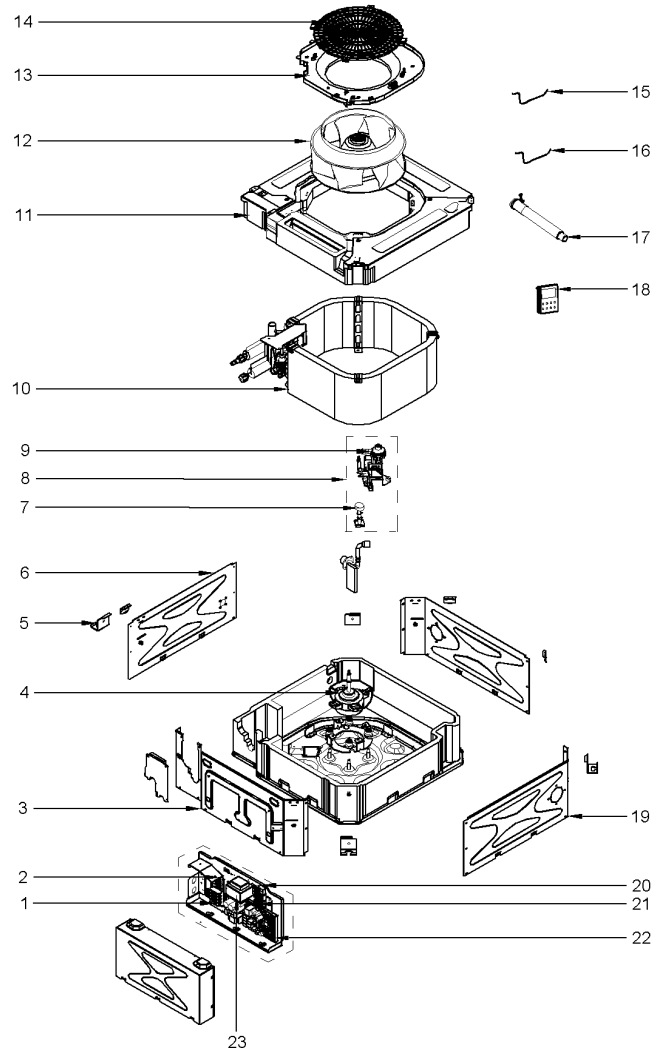
A = First Sequence

GENERAL ASSEMBLY

75010844

REV.
A

INDOOR 1.5 TON PRO SERIES HEAT PUMP INVERTER CASSETTE
TYPICAL ILLUSTRATION



Parts List Number :4TXUUP1#4TXUUP1

Model Number :4UXC2018A10N0AA

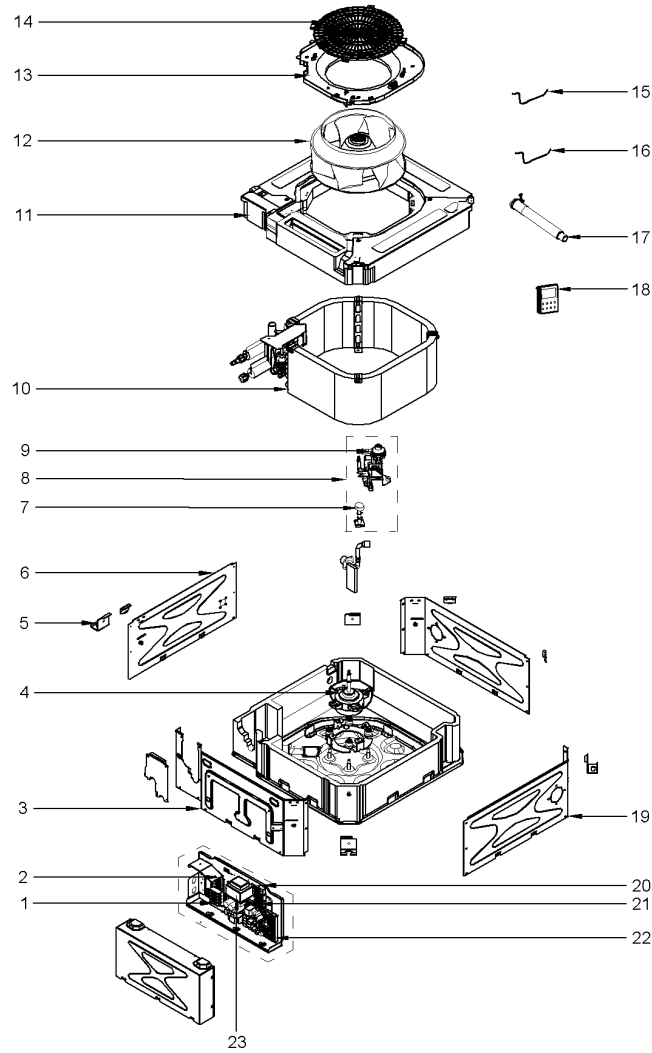
Part No.	Reference No.	Quantity	Description
75010844_4TXUUP1_365278~P	*		GENERAL ASSEMBLY CASSETTE 1.5 TON PARTS LIST

GENERAL ASSEMBLY

75010844

REV
A

INDOOR 1.5 TON PRO SERIES HEAT PUMP INVERTER CASSETTE
TYPICAL ILLUSTRATION



Parts List Number :4TXUUP1#4TXUUP1

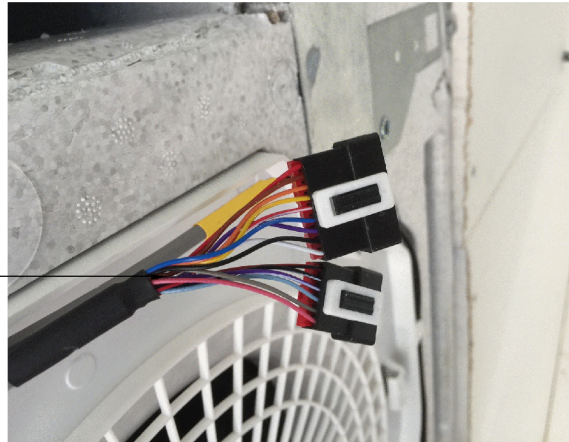
Model Number :4UXC2018A10N0AA

Part No.	Reference No.	Quantity	Description
BRD05240	1	1	BOARD; TERMINAL
BRD05246	2	1	BOARD; TERMINAL
PNL32156	3	1	PANEL; FRONT SIDE PLATE SUB-ASSY
MOT17030	4	1	MOTOR; BRUSHLESS DC
SUP05930	5	4	SUPPORT; BODY INSTALLING
PNL32154	6	1	PANEL; LEFT SIDE PLATE SUB-ASSY
SWT03913	7	1	SWITCH; LIQUID LEVEL
PMP02197	8	1	PUMP; WATER, ASSY
PMP02198	9	1	PUMP; WATER
COL25490	10	1	COIL; GREE, 01029400013
PAN03867	11	1	PAN; WATER TRAY ASSY
FAN05466	12	1	FAN; CENTRIFUGAL
RNG02376	13	1	RING; DIVERSION CIRCLE
GRL01951	14	1	GRILLE; REAR
SEN01818	15	1	SENSOR; ROOM SENSOR(390001912)
SEN02374	16	1	SENSOR; TUBE
HSE01875	17	1	HOSE; DRAIN SUB-ASSY
BRD05262	18	1	BOARD; DISPLAY (WIRED CONTROLLER XK60)
PNL32155	19	2	PANEL; RIGHT SIDE PLATE SUB-ASSY
BRD05242	20	1	BOARD; TERMINAL
BRD05241	21	2	BOARD; TERMINAL
BRD05255	22	1	BOARD; MAIN
TRR02727	23	1	TRANSFORMER;

WIRE
WIRE CABLE

75011584

REV.
A



All orderable Service Parts are identified for this product.

Parts that are not identified, will not be available to order.

This is a typical illustration. The unit in the field may not appear exactly as shown.

WIRE CABLE

Parts List Number :4TXUUP1#4TXUUP1

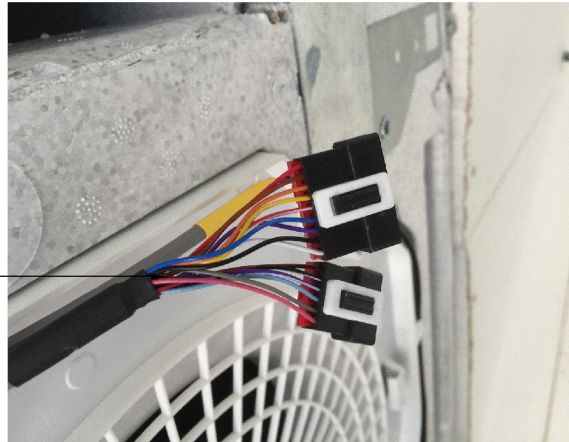
Model Number :4UXC2018A10N0AA

Part No.	Reference No.	Quantity	Description
75011584_4TXUUP1_365279~P	*		WIRE CABLE PARTS LIST

WIRE
WIRE CABLE

75011584

REV.
A



All orderable Service Parts are identified for this product.

Parts that are not identified, will not be available to order.

This is a typical illustration. The unit in the field may not appear exactly as shown.

Part No.	Reference No.	Quantity	Description
WIR08328	1	1	WIRE; CABLE