

<b>Part No.</b>	<b>Reference No.</b>	<b>Quantity</b>	<b>Description</b>
75009857#TYKUP2~S	*		GENERAL ASSEMBLY
75009919#TYKUP2~S	*		LINESETS - ACCESSORIES
75009849#TYKUP2~S	*		MODEL NOMENCLATURE
TYKUP2_TYKUP2_138225~P	*		TYKUP2 PARTS LIST

NO GRAPHIC AVAILABLE

75013702

REV  
A

**NO  
GRAPHIC  
AVAILABLE**

MODEL NOMENCLATURE Outdoor Unit – Inverter High Wall Systems	75009849	REV A
<b>Model Number Example</b> <b>4 T X K 8 5 1 2 A 1 0 N 0 B A</b> <b>1 2 3 4 5 6 7 8 9 10 11 12 13 14 15</b>		
Digit 1 = Refrigerant 4 = R-410a  Digit 2 = Brand Name T = Mini Split Outdoor Unit  Digit 3 = Functional Type X = Heat Pump Inverter Y = Cooling Only Inverter  Digit 4 = Configuration Outdoor Unit K = Single Refrigerant Circuit M = Multiple Refrigerant Circuit  Digit 5 = Efficiency Tier  6 - 16+ SEER 8 - 18+ SEER  Digit 6 = Connection Type 5 - Flare  Digit 7,8 = Nominal Capacity (Btu/h x 1,000)  09 = 9,000 Btu/h 12 = 12,000 Btu/h 18 = 18,000 Btu/h 24 = 24,000 Btu/h 30 = 30,000 Btu/h 36 = 36,000 Btu/h 42 = 42,000 Btu/h	Digit 9 = Major Development Sequence A = First Development Sequence B = Second Development Sequence C = Third Development Sequence  Digit 10 = Electric Power Supply Characteristics 1 = 208-230/60/1  Digit 11 = Reserved for Future Use 0 = Not currently used  Digit 12 = Regional Markets Served (1:1 Systems) N = North America Market  Digit 13 = Reserved for Future Use 0 = Not currently used  Digit 14 = Minor Design Sequence A = First Design Sequence B = Second Design Sequence C = Third Design Sequence  Digit 15 = Service Digit A = First Sequence	

Part No.	Reference No.	Quantity	Description
75009849_TYKUP2_138226~P	*		MODEL NOMENCLATURE PARTS LIST

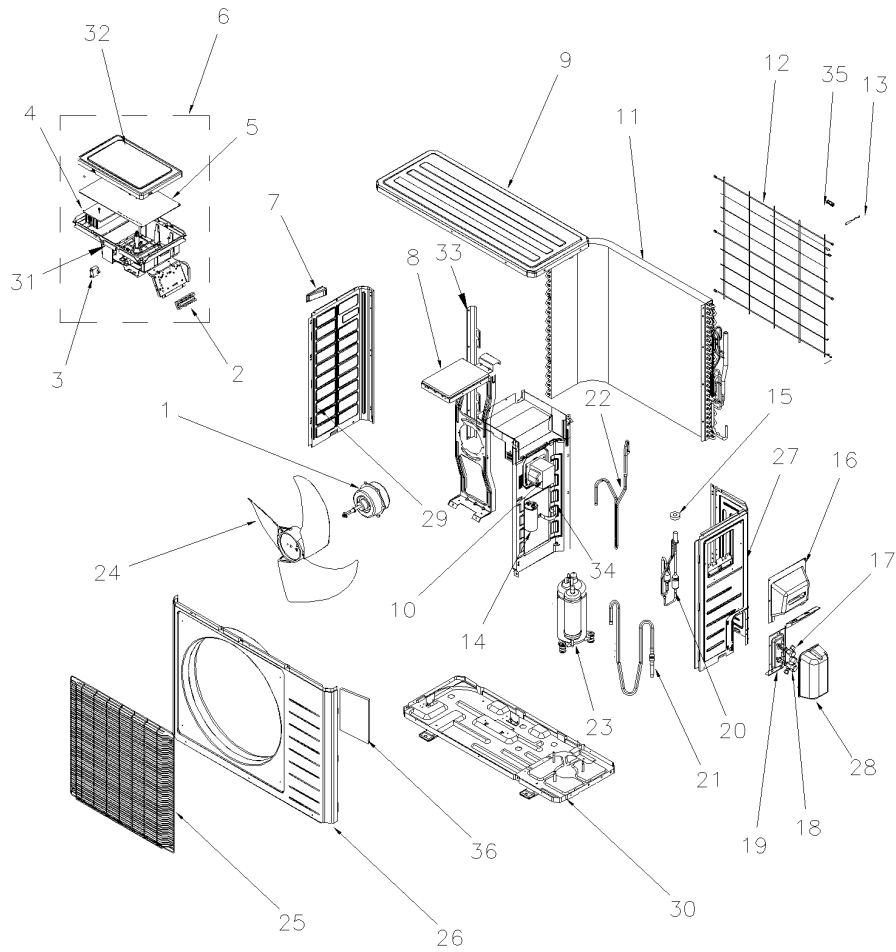
MODEL NOMENCLATURE Outdoor Unit – Inverter High Wall Systems	75009849	REV A
<b>Model Number Example</b> <b>4 T X K 8 5 1 2 A 1 0 N 0 B A</b> <b>1 2 3 4 5 6 7 8 9 10 11 12 13 14 15</b>		
Digit 1 = Refrigerant 4 = R-410a	Digit 9 = Major Development Sequence A = First Development Sequence B = Second Development Sequence C = Third Development Sequence	
Digit 2 = Brand Name T = Mini Split Outdoor Unit	Digit 10 = Electric Power Supply Characteristics 1 = 208-230/60/1	
Digit 3 = Functional Type X = Heat Pump Inverter Y = Cooling Only Inverter	Digit 11 = Reserved for Future Use 0 = Not currently used	
Digit 4 = Configuration Outdoor Unit K = Single Refrigerant Circuit M = Multiple Refrigerant Circuit	Digit 12 = Regional Markets Served (1:1 Systems) N = North America Market	
Digit 5 = Efficiency Tier  6 - 16+ SEER 8 - 18+ SEER	Digit 13 = Reserved for Future Use 0 = Not currently used	
Digit 6 = Connection Type 5 - Flare	Digit 14 = Minor Design Sequence A = First Design Sequence B = Second Design Sequence C = Third Design Sequence	
Digit 7,8 = Nominal Capacity (Btu/h × 1,000)  09 = 9,000 Btu/h 12 = 12,000 Btu/h 18 = 18,000 Btu/h 24 = 24,000 Btu/h 30 = 30,000 Btu/h 36 = 36,000 Btu/h 42 = 42,000 Btu/h	Digit 15 = Service Digit A = First Sequence	

GENERAL ASSEMBLY

75009857

REV  
C

\* NOT ILLUSTRATED



All orderable Service Parts are identified for this product.  
Parts that are not identified, will not be available to order.  
This is a typical illustration. The unit in the field may not appear exactly as shown.

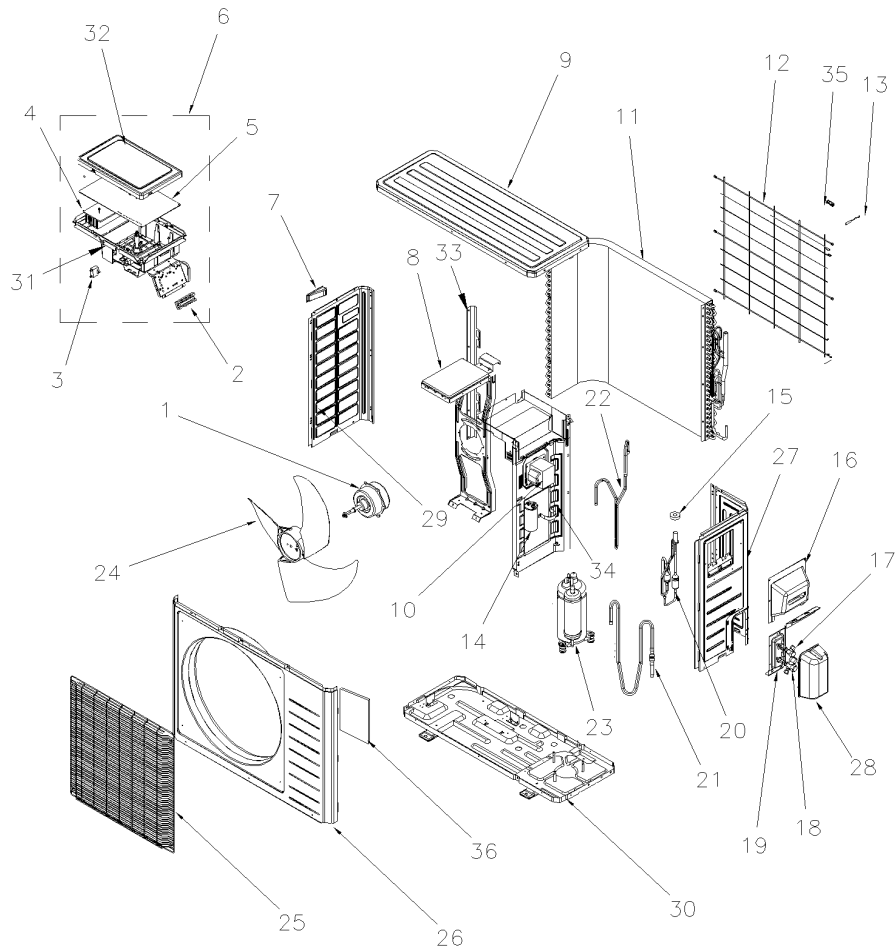
Part No.	Reference No.	Quantity	Description
75009857_TYKUP2_138227-P	*		GENERAL ASSEMBLY PARTS LIST

GENERAL ASSEMBLY

75009857

REV  
C

\* NOT ILLUSTRATED



All orderable Service Parts are identified for this product.  
Parts that are not identified, will not be available to order.  
This is a typical illustration. The unit in the field may not appear exactly as shown.

Part No.	Reference No.	Quantity	Description
CMP01574	*	1	CLAMP; CAPACITOR, SUB-ASSY
OLD00607	*	1	OVERLOAD; PROTECTOR (00180002)
PAI00420	*	1	PAINT; CUSTOM PAINT MATCH FOR MINI SPLIT
MOT13814	1	1	MOTOR; FAN (1501506302)
BRD03384	2	1	BOARD; TERMINAL
CPT02537	3	1	CAPACITOR; CBB61S
EXC02405	4	1	EXCHANGER; RADIATOR
BRD04350	5	1	BOARD; MAIN
CNT06809	6	1	CONTROL; ELECTRIC BOX ASSEMBLY
HDL01341	7	1	HANDLE;
SUP05277	8	1	SUPPORT; MOTOR SUPPORT SUB-ASSY( 01705020)
COV04192	9	1	COVER; TOP COVER
CNT06350	10	1	CONTROL; REACTOR (43130021)
COL18461	11	1	COIL; ASSEMBLY, CONDENSER
GRL01688	12	1	GRILLE; REAR GRILL
SEN01804	13	1	SENSOR; TEMPERATURE (INCLUDES; DISCHARGE TUBE SENSOR (50K), COIL TUBE SENSOR (20K) AND OUTDOOR AMBIENT SENSOR (15K))
CPT01863	14	1	CAPACITOR; CBB65 (33000065)
FTG01158	15	1	FITTING; ELECTRIC EXPAND VALVE FITTING, (STEPPER MOTOR)
HDL01100	16	1	HANDLE; HANDLE ASSY( 02113109)
VAL10608	17	1	VALVE; CUTOFF SUB-ASSEMBLY
VAL09918	18	1	VALVE; CUT-OFF SUB-ASSY (GAS)(07133060)
SUP05280	19	1	SUPPORT; VALVE SUPPORT ASSY
VAL09984	20	1	VALVE; ELECTRONIC EXPANSION VALVE( 07133183)
TUB12685	21	1	TUBE; INHALATION TUBE SUB-ASSY( 03733084)
TUB12684	22	1	TUBE; DISCHARGE TUBE SUB-ASSY( 03733083)
COM09000	23	1	COMPRESSOR; WITH FITTINGS (00103501)
FAN04378	24	1	FAN; AXIAL FLOW
GRL01689	25	1	GRILLE; FRONT GRILL
CAS02041	26	1	CASING; CABINET
PLT05255	27	1	PLATE; RIGHT SIDE
COV04872	28	1	COVER; VALVE COVER
PNL29955	29	1	PANEL; FRONT SIDE
PNL30445	30	1	PANEL; CHASSIS SUB-ASSY
BOX02888	31	1	BOX; ELECTRIC
COV05069	32	1	COVER; ELECTRICAL
SUP06068	33	1	SUPPORT; CONDENSER
PNL33721	34	1	PANEL; CONTROL BOX /AIR FLOW SEPARATOR
CMP01443	35	1	CLAMP; WIRING
COV05101	36	1	COVER;ELECTRIC BOX

		LineSets for MiniSplits					75009919		
Size and Length		Used for	Models (Frame Outdoor Unit P/Ns)						
1	KIT16423	1/4" x 3/8" - 25'	16 SEER 9MMh & 12 MMh 18 SEER 9MMh & 12 MMh	4TYK6509A10N0BA	4TYK6512A10N0BA	4TXK6509A10N0BA	4TXK6512A10N0BA	4TXK8509A10N0BA & 4TXK8509A10N0CA	4TXK8512A10N0BA & 4TXK8512A10N0CA
2	KIT16424	1/4" x 3/8" - 35'	16 SEER 9MMh & 12 MMh 18 SEER 9MMh & 12 MMh	4TYK6509A10N0BA	4TYK6512A10N0BA	4TXK6509A10N0BA	4TXK6512A10N0BA	4TXK8509A10N0BA & 4TXK8509A10N0CA	4TXK8512A10N0BA & 4TXK8512A10N0CA
3	KIT15228	1/4" x 3/8" - 50'	16 SEER 9MMh & 12 MMh 18 SEER 9MMh & 12 MMh	4TYK6509A10N0BA	4TYK6512A10N0BA	4TXK6509A10N0BA	4TXK6512A10N0BA	4TXK8509A10N0BA & 4TXK8509A10N0CA	4TXK8512A10N0BA & 4TXK8512A10N0CA
4	KIT16425	1/4" x 1/2" - 25'	16 SEER 18MMh & 24MMh 18 SEER 18MMh	4TYK6518A10N0BA	4TYK6524A10N0BA	4TXK6518A10N0BA	4TXK6524A10N0BA	4TXK8518A10N0BA & 4TXK8518A10N0CA	
5	KIT16426	1/4" x 1/2" - 35'	16 SEER 18MMh & 24MMh 18 SEER 18MMh	4TYK6518A10N0BA	4TYK6524A10N0BA	4TXK6518A10N0BA	4TXK6524A10N0BA	4TXK8518A10N0BA & 4TXK8518A10N0CA	
6	KIT15229	1/4" x 1/2" - 50'	16 SEER 18MMh & 24MMh 18 SEER 18MMh	4TYK6518A10N0BA	4TYK6524A10N0BA	4TXK6518A10N0BA	4TXK6524A10N0BA	4TXK8518A10N0BA & 4TXK8518A10N0CA	
7	KIT16427	1/4" x 5/8" - 25'	18 SEER 24MMh & 36MMh	4TXK8524A10N0BA & 4TXK8524A10N0CA	4TXK8536A10N0BA & 4TXK8536A10N0CA				
8	KIT16428	1/4" x 5/8" - 35'	18 SEER 24MMh & 36MMh	4TXK8524A10N0BA & 4TXK8524A10N0CA	4TXK8536A10N0BA & 4TXK8536A10N0CA				
9	KIT15230	1/4" x 5/8" - 50'	18 SEER 24MMh & 36MMh	4TXK8524A10N0BA & 4TXK8524A10N0CA	4TXK8536A10N0BA & 4TXK8536A10N0CA				

Part No.	Reference No.	Quantity	Description
75009919_TYKUP2_138228-P	*		LINESETS - ACCESSORIES PARTS LIST

		LineSets for MiniSplits					75009919	
Size and Length		Used for	Models (Frame Outdoor Unit P/Ns)					
1	KIT16423	1/2 x 3/8 - 25' 16 SEER 9MMh & 12 MMh 18 SEER 9MMh & 12 MMh	4TYK6509A10N0BA	4TYK6512A10N0BA	4TXK6509A10N0BA	4TXK6512A10N0BA	4TXK6509A10N0BA & 4TXK6509A10N0CA	4TXK6512A10N0BA & 4TXK6512A10N0CA
2	KIT16424	1/2 x 3/8 - 35' 16 SEER 9MMh & 12 MMh 18 SEER 9MMh & 12 MMh	4TYK6509A10N0BA	4TYK6512A10N0BA	4TXK6509A10N0BA	4TXK6512A10N0BA	4TXK6509A10N0BA & 4TXK6509A10N0CA	4TXK6512A10N0BA & 4TXK6512A10N0CA
3	KIT15228	1/2 x 3/8 - 50' 16 SEER 9MMh & 12 MMh 18 SEER 9MMh & 12 MMh	4TYK6509A10N0BA	4TYK6512A10N0BA	4TXK6509A10N0BA	4TXK6512A10N0BA	4TXK6509A10N0BA & 4TXK6509A10N0CA	4TXK6512A10N0BA & 4TXK6512A10N0CA
4	KIT16425	1/2 x 1/2 - 25' 16 SEER 18MMh & 24MMh 18 SEER 18MMh	4TYK6518A10N0BA	4TYK6524A10N0BA	4TXK6518A10N0BA	4TXK6524A10N0BA	4TXK6518A10N0BA & 4TXK6518A10N0CA	
5	KIT16426	1/2 x 1/2 - 35' 16 SEER 18MMh & 24MMh 18 SEER 18MMh	4TYK6518A10N0BA	4TYK6524A10N0BA	4TXK6518A10N0BA	4TXK6524A10N0BA	4TXK6518A10N0BA & 4TXK6518A10N0CA	
6	KIT15229	1/2 x 1/2 - 50' 16 SEER 18MMh & 24MMh 18 SEER 18MMh	4TYK6518A10N0BA	4TYK6524A10N0BA	4TXK6518A10N0BA	4TXK6524A10N0BA	4TXK6518A10N0BA & 4TXK6518A10N0CA	
7	KIT16427	1/2 x 5/8 - 25' 18 SEER 24MMh & 30MMh	4TXK8524A10N0BA & 4TXK8524A10N0CA	4TXK8536A10N0BA & 4TXK8536A10N0CA				
8	KIT16428	1/2 x 5/8 - 35' 18 SEER 24MMh & 30MMh	4TXK8524A10N0BA & 4TXK8524A10N0CA	4TXK8536A10N0BA & 4TXK8536A10N0CA				
9	KIT15230	1/2 x 5/8 - 50' 18 SEER 24MMh & 30MMh	4TXK8524A10N0BA & 4TXK8524A10N0CA	4TXK8536A10N0BA & 4TXK8536A10N0CA				

Part No.	Reference No.	Quantity	Description
CNT06868	*	1	CONTROL; REMOTE CONTROLLER, TRANE BRAND
CNT06869	*	1	CONTROL; REMOTE CONTROLLER, AMERICAN STANDARD BRAND
KIT16425	4	1	LINE SET; 1/4 X 1/2 X 1/2 X 25FT MINI-SPLIT NO BEND, NO PLAIN END, HAS FLARE FITTINGS, NO CONTROL WIRE MUE 40820250B3B6
KIT16426	5	1	LINE SET; 1/4 X 1/2 X 1/2 X 35FT MINI-SPLIT NO BEND, NO PLAIN END, HAS FLARE FITTINGS, NO CONTROL WIRE MUE 40820350B3B6
KIT15229	6	1	LINE SET; 1/4 X 1/2 X 1/2 X 50FT MINI-SPLIT NO BEND, NO PLAIN END, HAS FLARE FITTINGS, NO CONTROL WIRE MUE 40820500B3B6