

Part No.	Reference No.	Quantity	Description
75009855#TYKUP2~S	*		GENERAL ASSEMBLY
75009919#TYKUP2~S	*		LINESETS - ACCESSORIES
75009849#TYKUP2~S	*		MODEL NOMENCLATURE
TYKUP2_TYKUP2_138225~P	*		TYKUP2 PARTS LIST

NO GRAPHIC AVAILABLE

75013702

REV
A

**NO
GRAPHIC
AVAILABLE**

MODEL NOMENCLATURE Outdoor Unit – Inverter High Wall Systems	75009849	REV A
Model Number Example 4 T X K 8 5 1 2 A 1 0 N 0 B A 1 2 3 4 5 6 7 8 9 10 11 12 13 14 15		
Digit 1 = Refrigerant 4 = R-410a	Digit 9 = Major Development Sequence A = First Development Sequence B = Second Development Sequence C = Third Development Sequence	
Digit 2 = Brand Name T = Mini Split Outdoor Unit	Digit 10 = Electric Power Supply Characteristics 1 = 208-230/60/1	
Digit 3 = Functional Type X = Heat Pump Inverter Y = Cooling Only Inverter	Digit 11 = Reserved for Future Use 0 = Not currently used	
Digit 4 = Configuration Outdoor Unit K = Single Refrigerant Circuit M = Multiple Refrigerant Circuit	Digit 12 = Regional Markets Served (1:1 Systems) N = North America Market	
Digit 5 = Efficiency Tier 6 - 16+ SEER 8 - 18+ SEER	Digit 13 = Reserved for Future Use 0 = Not currently used	
Digit 6 = Connection Type 5 - Flare	Digit 14 = Minor Design Sequence A = First Design Sequence B = Second Design Sequence C = Third Design Sequence	
Digit 7,8 = Nominal Capacity (Btu/h × 1,000) 09 = 9,000 Btu/h 12 = 12,000 Btu/h 18 = 18,000 Btu/h 24 = 24,000 Btu/h 30 = 30,000 Btu/h 36 = 36,000 Btu/h 42 = 42,000 Btu/h	Digit 15 = Service Digit A = First Sequence	

Part No.	Reference No.	Quantity	Description
75009849_TYKUP2_138226~P	*		MODEL NOMENCLATURE PARTS LIST

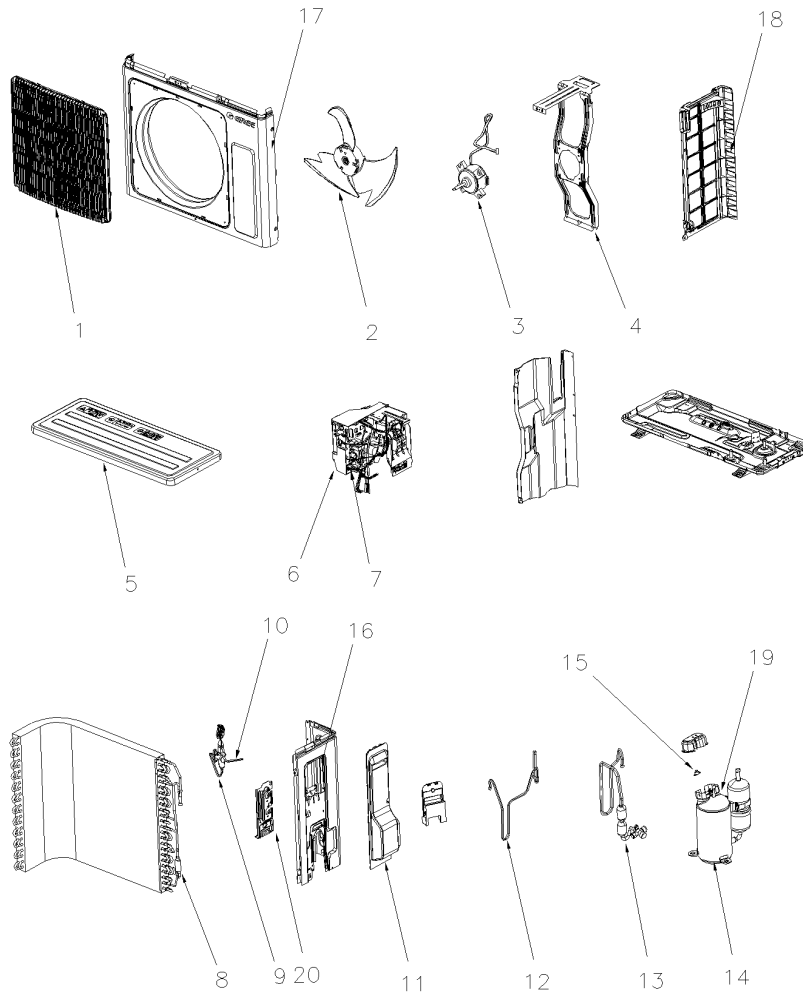
MODEL NOMENCLATURE Outdoor Unit – Inverter High Wall Systems	75009849	REV A
Model Number Example 4 T X K 8 5 1 2 A 1 0 N 0 B A 1 2 3 4 5 6 7 8 9 10 11 12 13 14 15		
Digit 1 = Refrigerant 4 = R-410a Digit 2 = Brand Name T = Mini Split Outdoor Unit Digit 3 = Functional Type X = Heat Pump Inverter Y = Cooling Only Inverter Digit 4 = Configuration Outdoor Unit K = Single Refrigerant Circuit M = Multiple Refrigerant Circuit Digit 5 = Efficiency Tier 6 - 16+ SEER 8 - 18+ SEER Digit 6 = Connection Type 5 - Flare Digit 7,8 = Nominal Capacity (Btu/h x 1,000) 09 = 9,000 Btu/h 12 = 12,000 Btu/h 18 = 18,000 Btu/h 24 = 24,000 Btu/h 30 = 30,000 Btu/h 36 = 36,000 Btu/h 42 = 42,000 Btu/h	Digit 9 = Major Development Sequence A = First Development Sequence B = Second Development Sequence C = Third Development Sequence Digit 10 = Electric Power Supply Characteristics 1 = 208-230/60/1 Digit 11 = Reserved for Future Use 0 = Not currently used Digit 12 = Regional Markets Served (1:1 Systems) N = North America Market Digit 13 = Reserved for Future Use 0 = Not currently used Digit 14 = Minor Design Sequence A = First Design Sequence B = Second Design Sequence C = Third Design Sequence Digit 15 = Service Digit A = First Sequence	

GENERAL ASSEMBLY

75009855

REV
C

* NOT ILLUSTRATED



All orderable Service Parts are identified for this product.

Parts that are not identified, will not be available to order.

This is a typical illustration. The unit in the field may not appear exactly as shown.

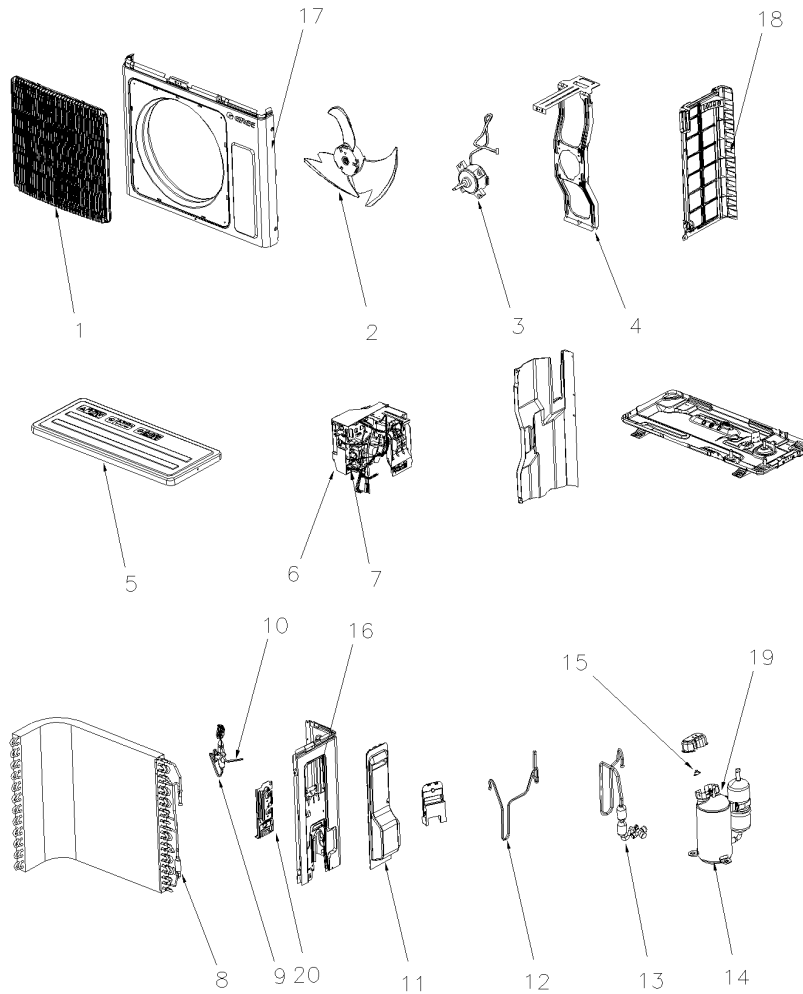
Part No.	Reference No.	Quantity	Description
75009855_TYKUP2_206529-P	*		GENERAL ASSEMBLY PARTS LIST

GENERAL ASSEMBLY

75009855

REV
C

* NOT ILLUSTRATED



All orderable Service Parts are identified for this product.

Parts that are not identified, will not be available to order.

This is a typical illustration. The unit in the field may not appear exactly as shown.

Part No.	Reference No.	Quantity	Description
PAI00420	*	1	PAINT; CUSTOM PAINT MATCH FOR MINI SPLIT
PNL31639	*	1	PANEL;CABINET, FRONT
GRL01690	1	1	GRILLE; FRONT GRILL(01473053)
FAN04441	2	1	FAN; AXIAL FLOW FAN SUB-ASSY(1033300901)
MOT13897	3	1	MOTOR; FAN MOTOR(1501307301)
SUP05537	4	1	SUPPORT; MOTOR
COV04459	5	1	COVER; SUB-ASSEMBLY TOP
CNT06804	6	1	CONTROL; ELECTRIC BOX ASSEMBLY
BRD04346	7	1	BOARD; MAIN
CDS01441	8	1	CONDENSER; CONDENSER ASSY(01113501)
VAL10616	9	1	VALVE; CUTOFF ASSEMBLY
TUB13144	10	1	TUBE; CAPILLARY SUB-ASSEMBLY
HDL01101	11	1	HANDLE; HANDLE(26233044)
TUB14538	12	1	TUBE; DISCHARGE, SUB-ASSY
VAL10617	13	1	VALVE; CUTOFF SUB-ASSEMBLY, 3/8
COM10575	14	1	COMPRESSOR; ASSEMBLY AND FITTINGS
OLD00725	15	1	OVERLOAD; COMPRESSOR, PROTECTOR, EXTERNAL
PNL29782	16	1	PANEL; RIGHT SIDE PLATE SUB ASSEMBLY
PNL31857	17	1	PANEL; CABINET
PLT05673	18	1	PLATE; LEFT SIDE PLATE
OLD00763	19	1	OVERLOAD; COMPRESSOR PROTECTOR(EXTERNAL)
SUP05978	20	1	SUPPORT; VALVE

		LineSets for MiniSplits					75009919		
Size and Length		Used for	Models (Frame Outdoor Unit P/Ns)						
1	KIT16423	1/4" x 3/8" - 25'	16 SEER 9MMh & 12 MMh 18 SEER 9MMh & 12 MMh	4TYK6509A10N0BA	4TYK6512A10N0BA	4TXK6509A10N0BA	4TXK6512A10N0BA	4TXK8509A10N0BA & 4TXK8509A10N0CA	4TXK8512A10N0BA & 4TXK8512A10N0CA
2	KIT16424	1/4" x 3/8" - 35'	16 SEER 9MMh & 12 MMh 18 SEER 9MMh & 12 MMh	4TYK6509A10N0BA	4TYK6512A10N0BA	4TXK6509A10N0BA	4TXK6512A10N0BA	4TXK8509A10N0BA & 4TXK8509A10N0CA	4TXK8512A10N0BA & 4TXK8512A10N0CA
3	KIT15228	1/4" x 3/8" - 50'	16 SEER 9MMh & 12 MMh 18 SEER 9MMh & 12 MMh	4TYK6509A10N0BA	4TYK6512A10N0BA	4TXK6509A10N0BA	4TXK6512A10N0BA	4TXK8509A10N0BA & 4TXK8509A10N0CA	4TXK8512A10N0BA & 4TXK8512A10N0CA
4	KIT16425	1/4" x 1/2" - 25'	16 SEER 18MMh & 24MMh 18 SEER 18MMh	4TYK6518A10N0BA	4TYK6524A10N0BA	4TXK6518A10N0BA	4TXK6524A10N0BA	4TXK8518A10N0BA & 4TXK8518A10N0CA	
5	KIT16426	1/4" x 1/2" - 35'	16 SEER 18MMh & 24MMh 18 SEER 18MMh	4TYK6518A10N0BA	4TYK6524A10N0BA	4TXK6518A10N0BA	4TXK6524A10N0BA	4TXK8518A10N0BA & 4TXK8518A10N0CA	
6	KIT15229	1/4" x 1/2" - 50'	16 SEER 18MMh & 24MMh 18 SEER 18MMh	4TYK6518A10N0BA	4TYK6524A10N0BA	4TXK6518A10N0BA	4TXK6524A10N0BA	4TXK8518A10N0BA & 4TXK8518A10N0CA	
7	KIT16427	1/4" x 5/8" - 25'	18 SEER 24MMh & 36MMh	4TXK8524A10N0BA & 4TXK8524A10N0CA	4TXK8536A10N0BA & 4TXK8536A10N0CA				
8	KIT16428	1/4" x 5/8" - 35'	18 SEER 24MMh & 36MMh	4TXK8524A10N0BA & 4TXK8524A10N0CA	4TXK8536A10N0BA & 4TXK8536A10N0CA				
9	KIT15230	1/4" x 5/8" - 50'	18 SEER 24MMh & 36MMh	4TXK8524A10N0BA & 4TXK8524A10N0CA	4TXK8536A10N0BA & 4TXK8536A10N0CA				

Part No.	Reference No.	Quantity	Description
75009919_TYKUP2_206531-P	*		LINESETS - ACCESSORIES PARTS LIST

		LineSets for MiniSplits					75009919	
Size and Length		Used for	Models (Frame Outdoor Unit P/Ns)					
1	KIT16423	1/2 x 3/8 - 25'	16 SEER 9MMh & 12 MMh 18 SEER 9MMh & 12 MMh	4TYK6509A10N0BA	4TYK6512A10N0BA	4TXK6509A10N0BA	4TXK6512A10N0BA	4TXK6509A10N0BA & 4TXK6512A10N0BA & 4TXK6512A10N0CA
2	KIT16424	1/2 x 3/8 - 35'	16 SEER 9MMh & 12 MMh 18 SEER 9MMh & 12 MMh	4TYK6509A10N0BA	4TYK6512A10N0BA	4TXK6509A10N0BA	4TXK6512A10N0BA	4TXK6509A10N0BA & 4TXK6512A10N0CA
3	KIT15228	1/2 x 3/8 - 50'	16 SEER 9MMh & 12 MMh 18 SEER 9MMh & 12 MMh	4TYK6509A10N0BA	4TYK6512A10N0BA	4TXK6509A10N0BA	4TXK6512A10N0BA	4TXK6509A10N0BA & 4TXK6512A10N0CA
4	KIT16425	1/2 x 1/2 - 25'	16 SEER 18MMh & 24MMh 18 SEER 18MMh	4TYK6518A10N0BA	4TYK6524A10N0BA	4TXK6518A10N0BA	4TXK6524A10N0BA	4TXK6518A10N0BA & 4TXK6518A10N0CA
5	KIT16426	1/2 x 1/2 - 35'	16 SEER 18MMh & 24MMh 18 SEER 18MMh	4TYK6518A10N0BA	4TYK6524A10N0BA	4TXK6518A10N0BA	4TXK6524A10N0BA	4TXK6518A10N0BA & 4TXK6518A10N0CA
6	KIT15229	1/2 x 1/2 - 50'	16 SEER 18MMh & 24MMh 18 SEER 18MMh	4TYK6518A10N0BA	4TYK6524A10N0BA	4TXK6518A10N0BA	4TXK6524A10N0BA	4TXK6518A10N0BA & 4TXK6518A10N0CA
7	KIT16427	1/2 x 5/8 - 25'	18 SEER 24MMh & 36MMh	4TXK8524A10N0BA & 4TXK8524A10N0CA	4TXK8536A10N0BA & 4TXK8536A10N0CA			
8	KIT16428	1/2 x 5/8 - 35'	18 SEER 24MMh & 36MMh	4TXK8524A10N0BA & 4TXK8524A10N0CA	4TXK8536A10N0BA & 4TXK8536A10N0CA			
9	KIT15230	1/2 x 5/8 - 50'	18 SEER 24MMh & 36MMh	4TXK8524A10N0BA & 4TXK8524A10N0CA	4TXK8536A10N0BA & 4TXK8536A10N0CA			

Parts List Number :TYKUP2#TYKUP2

Model Number :4TYK6512A10N0BA

Part No.	Reference No.	Quantity	Description
CNT06868	*	1	CONTROL; REMOTE CONTROLLER, TRANE BRAND
CNT06869	*	1	CONTROL; REMOTE CONTROLLER, AMERICAN STANDARD BRAND
KIT16423	1	1	LINE SET; 1/4 X 3/8 X 1/2 X 25FT MINI-SPLIT NO BEND, NO PLAIN END, HAS FLARE FITTINGS, NO CONTROL WIRE MUE 40620250B3B6
KIT16424	2	1	LINE SET; 1/4 X 3/8 X 1/2 X 35FT MINI-SPLIT NO BEND, NO PLAIN END, HAS FLARE FITTINGS, NO CONTROL WIRE MUE 40620350B3B6
KIT15228	3	1	LINE SET; 1/4 X 3/8 X 1/2 X 50FT MINI-SPLIT NO BEND, NO PLAIN END, HAS FLARE FITTINGS, NO CONTROL WIRE MUE 40620500B3B6