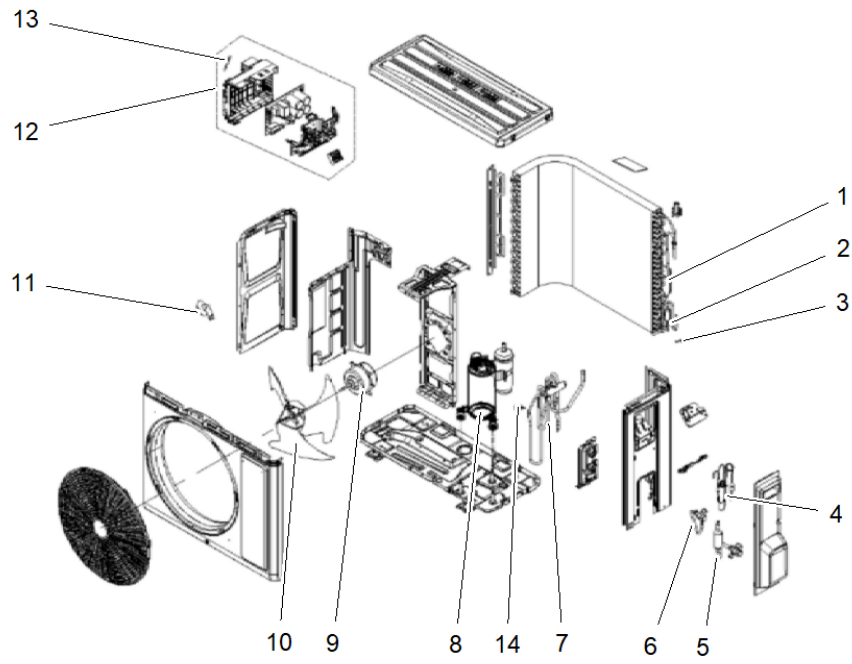


Part No.	Reference No.	Quantity	Description
0000157033~S	*		General Assembly 1
0000157032~S	*		Model Number Description

Part No.	Reference No.	Quantity	Description
0000030648~P	*		General Assembly 1



Part No.	Reference No.	Quantity	Description
CDS02704	1	1	CONDENSER; ASSEMBLY
SLV00331	2	1	SLEEVE; TEMP SENSOR SLEEVING
IRT00060	3	1	INSERT; SENSOR
TUB15896	4	1	TUBE; CAPILLARY
VAL20428	5	1	VALVE; SHUT OFF
VAL20430	6	1	VALVE; CUT OFF 1/4
COM13817	8	1	COMPRESSOR;
MOT20618	9	1	MOTOR; BRUSHLESS DC
FAN06583	10	1	FAN; AXIAL FLOW
CNT08801	12	1	CONTROL; ELECTRIC BOX ASSEMBLY
SEN03118	13	1	SENSOR; TEMPERATURE

Part No.	Reference No.	Quantity	Description
000030640~P	*		Model Number Description(Outdoor Unit)

MODEL NUMBER DESCRIPTION
17/25 SEER MINI SPLIT LOMO OUTDOOR

75015158

REV
A

Example Model Number:
4TXK1709A10N0AA
1 - - - 5 - - - 10 - - - 15

Digits 1 – Refrigerant
4 = R-410A

Digits 2 – Brand
T = Outdoor Unit

Digits 3 – Functional Type
X = Heat Pump Inverter
Y = Cooling Only Inverter

Digits 4 – Configuration Outdoor Unit
K = Single Refrigerant Port

Digits 5, 6 – Efficiency Tier
17 = 17 SEER Series
25 = 25 SEER Series

Digits 7, 8 – Nominal Capacity (Btu/h x 1,000)
09 = 9,000 Btu/h
12 = 12,000 Btu/h
18 = 18,000 Btu/h
24 = 24,000 Btu/h
30 = 30,000 Btu/h
36 = 36,000 Btu/h

Digits 9 – Major Development Sequence
A = First Development Sequence

Digits 10 – Electric Power Supply Characteristics
1 = 208-230/60/1

Digits 11 – Reserved for Future Use
0 = Not Currently Used

Digits 12 – Regional Markets Served (1:1 Systems)
N = North America Market

Digits 13 – Reserved for Future Use
0 = Not Currently Used

Digits 14 – Minor Design Sequence
A = First Design Sequence

Digits 15 – Service Digit
A = First Sequence

Model Number Description(Outdoor Unit)

Parts List Number :0000157031

Model Number :4TYK1712A10N0AA