

<b>Part No.</b>	<b>Reference No.</b>	<b>Quantity</b>	<b>Description</b>
4TXKUP1_4TXKUP1_185882~P	*		16 SEER MINI SPLIT LOMO OUTDOOR PARTS LIST
75011446#4TXKUP1~S	*		ASSY COMPRESSOR & VALVE PARTS
75011436#4TXKUP1~S	*		ASSY CONTROL PARTS
75011445#4TXKUP1~S	*		ASSY FAN & CONDENSER & PANEL PARTS
75011264#4TXKUP1~S	*		MODEL NUMBER DESCRIPTION

NO GRAPHIC AVAILABLE

75013702

REV  
A

**NO  
GRAPHIC  
AVAILABLE**

MODEL NUMBER DESCRIPTION

75011264

REV.  
A

16 SEER MINI SPLIT LOMO OUTDOOR

*Example Model Number:*  
**4TXK1612A10N0AA**  
1 - - - 5 - - - 10 - - - 15

**Digits 1 – Refrigerant**

4 = R-410A

**Digits 2 – Brand**

T = Outdoor Unit

**Digits 3 – Functional Type**

X = Heat Pump Inverter

Y = Cooling Only Inverter

**Digits 4 – Configuration Outdoor Unit**

K = Single Refrigerant Port

**Digits 5, 6 – Efficiency Tier**

16 = 16 SEER Series

**Digits 7, 8 – Nominal Capacity (Btu/h x 1,000)**

09 = 9,000 Btu/h

12 = 12,000 Btu/h

18 = 18,000 Btu/h

24 = 24,000 Btu/h

**Digits 9 – Major Development Sequence**

A = First Development Sequence

**Digits 10 – Electric Power Supply Characteristics**

1 = 208-230/60/1

**Digits 11 – Reserved for Future Use**

0 = Not Currently Used

**Digits 12 – Regional Markets Served (1:1 Systems)**

N = North America Market

**Digits 13 – Reserved for Future Use**

0 = Not Currently Used

**Digits 14 – Minor Design Sequence**

A = First Design Sequence

**Digits 15 – Service Digit**

A = First Sequence

Part No.	Reference No.	Quantity	Description
75011264_4TXKUP1_185884~P	*		MODEL NUMBER DESCRIPTION PARTS LIST

MODEL NUMBER DESCRIPTION

75011264

REV.  
A

16 SEER MINI SPLIT LOMO OUTDOOR

*Example Model Number:*  
**4TXK1612A10N0AA**  
1 - - - 5 - - - 10 - - - 15

**Digits 1 – Refrigerant**

4 = R-410A

**Digits 2 – Brand**

T = Outdoor Unit

**Digits 3 – Functional Type**

X = Heat Pump Inverter  
Y = Cooling Only Inverter

**Digits 4 – Configuration Outdoor Unit**

K = Single Refrigerant Port

**Digits 5, 6 – Efficiency Tier**

16 = 16 SEER Series

**Digits 7, 8 – Nominal Capacity (Btu/h x 1,000)**

09 = 9,000 Btu/h  
12 = 12,000 Btu/h  
18 = 18,000 Btu/h  
24 = 24,000 Btu/h

**Digits 9 – Major Development Sequence**

A = First Development Sequence

**Digits 10 – Electric Power Supply Characteristics**

1 = 208-230/60/1

**Digits 11 – Reserved for Future Use**

0 = Not Currently Used

**Digits 12 – Regional Markets Served (1:1 Systems)**

N = North America Market

**Digits 13 – Reserved for Future Use**

0 = Not Currently Used

**Digits 14 – Minor Design Sequence**

A = First Design Sequence

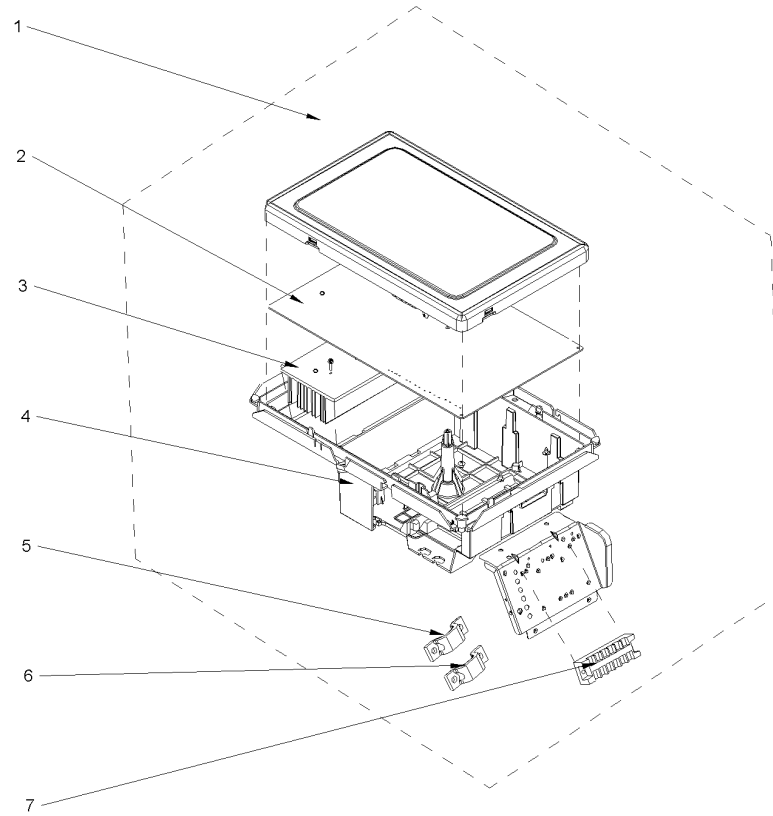
**Digits 15 – Service Digit**

A = First Sequence

OUTDOOR 16 SEER MINI SPLIT LOMO  
2.0 TON ASSY CONTROL PARTS

75011436

REV.  
A



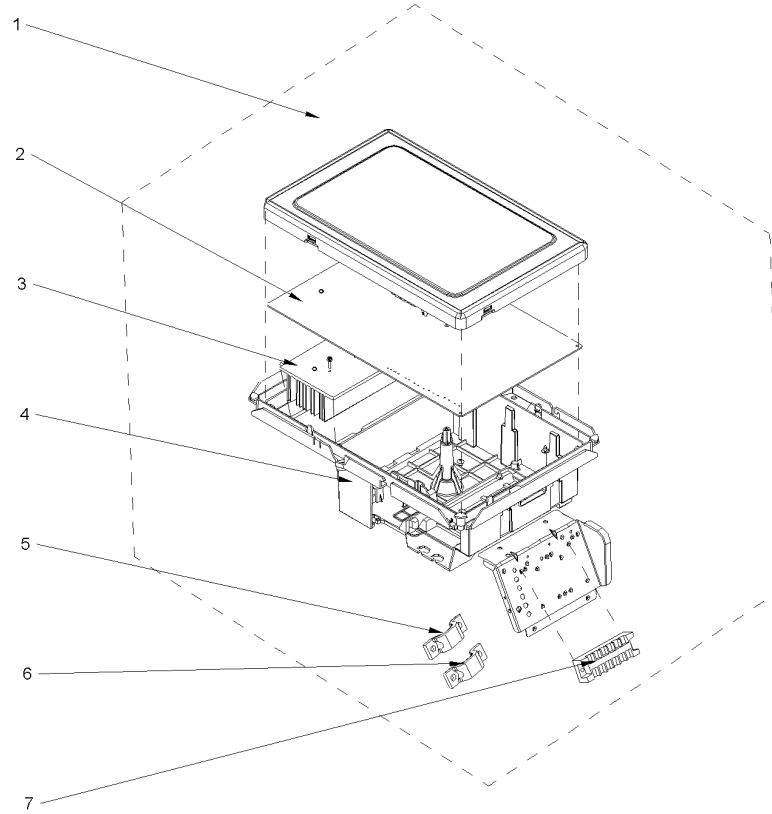
All orderable Service Parts are identified for this product.  
Parts that are not identified, will not be available to order.  
This is a typical illustration. The unit in the field may not appear exactly as shown.

Part No.	Reference No.	Quantity	Description
75011436_4TXKUP1_257958~P	*		ASSY CONTROL PARTS

OUTDOOR 16 SEER MINI SPLIT LOMO  
2.0 TON ASSY CONTROL PARTS

75011436

REV.  
A

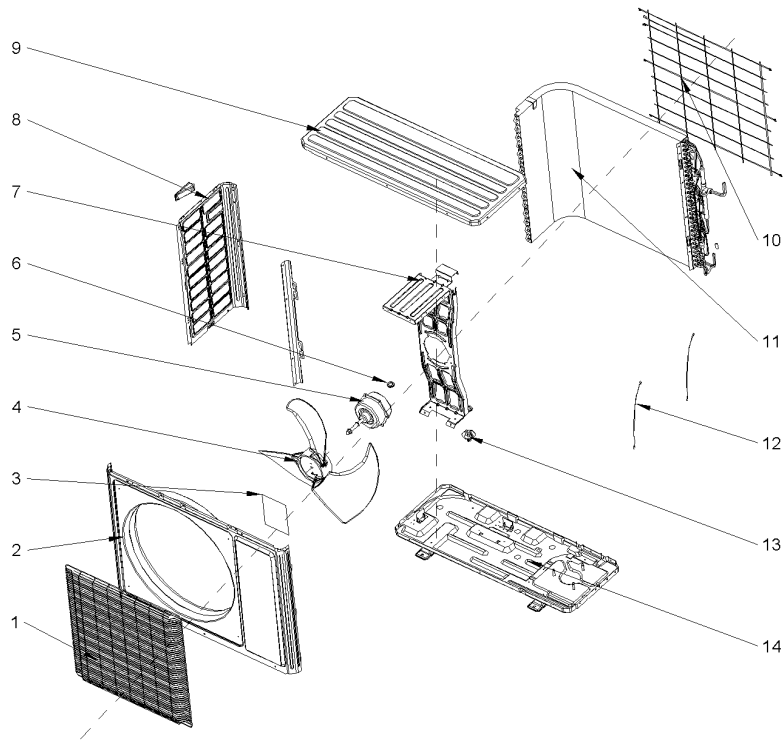


All orderable Service Parts are identified for this product.  
Parts that are not identified, will not be available to order.  
This is a typical illustration. The unit in the field may not appear exactly as shown.

<b>Part No.</b>	<b>Reference No.</b>	<b>Quantity</b>	<b>Description</b>
BOX02938	1	1	BOX; ELECTRICAL ASSEMBLY (INCLUDES TERMINAL BOARD, MAIN AND CONNECTIONS)
BRD05594	2	1	BOARD; MAIN PCB
EXC02410	3	1	EXCHANGER; HEAT SINK
BOX02922	4	1	BOX; ELECTRICAL
CMP01451	5	1	CLAMP; WIRE
CMP01444	6	1	CLAMP; WIRE
BRD03384	7	1	BOARD; TERMINAL

OUTDOOR 16 SEER COOLING ONLY INVERTER 75011445  
2.0 TON ASSY FAN & CONDENSER & PANEL PARTS

REV.  
A



All orderable Service Parts are identified for this product.

Parts that are not identified, will not be available to order.

This is a typical illustration. The unit in the field may not appear exactly as shown.

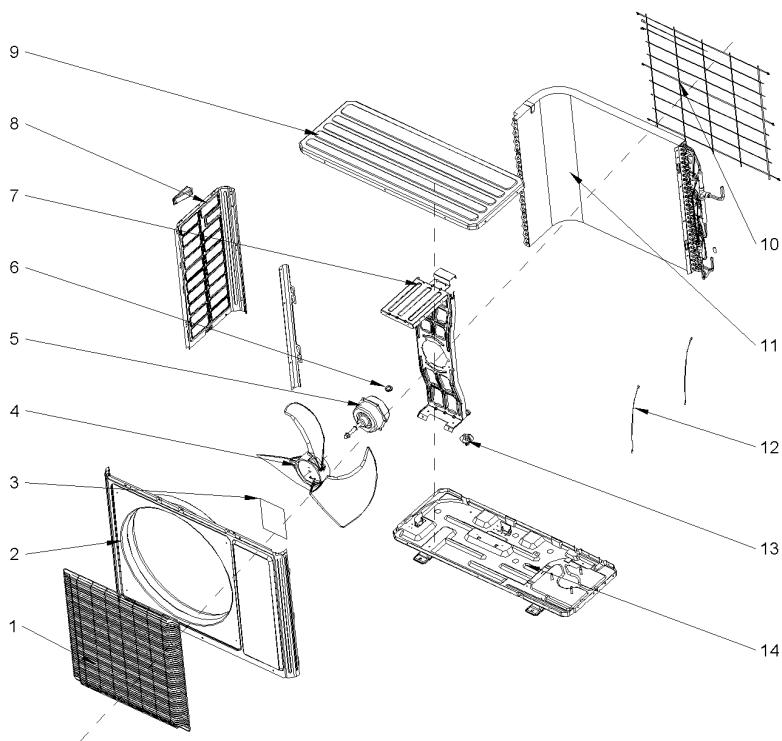
Parts List Number :4TXKUP1#4TXKUP1

Model Number :4TYK1624A10N0AA

Part No.	Reference No.	Quantity	Description
75011445_4TXKUP1_257959~P	*		ASSY FAN & CONDENSER & PANEL PARTS

OUTDOOR 16 SEER COOLING ONLY INVERTER 75011445  
2.0 TON ASSY FAN & CONDENSER & PANEL PARTS

REV.  
A



All orderable Service Parts are identified for this product.

Parts that are not identified, will not be available to order.

This is a typical illustration. The unit in the field may not appear exactly as shown.

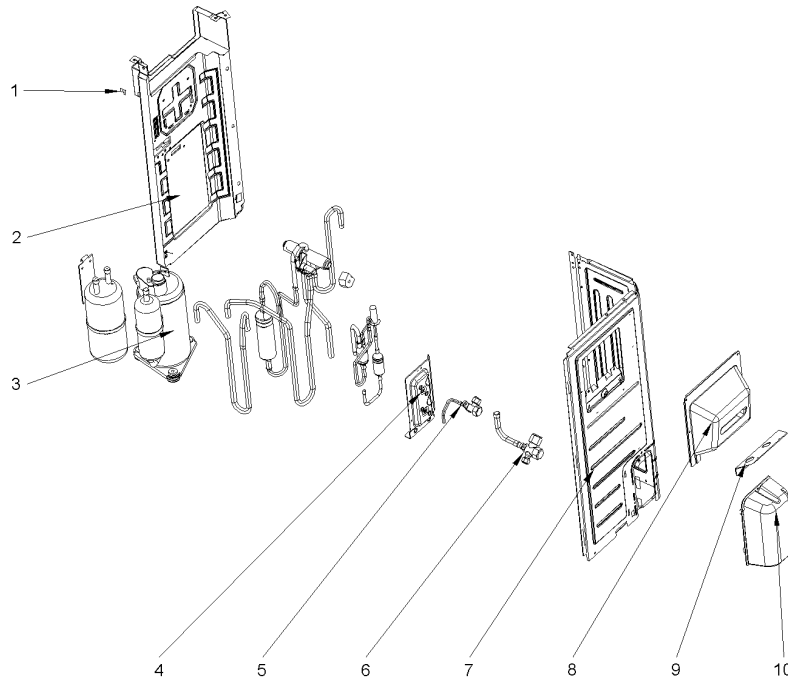
Parts List Number :4TXKUP1#4TXKUP1

Model Number :4TYK1624A10N0AA

Part No.	Reference No.	Quantity	Description
GRL01688	1	1	GRILLE; REAR GRILL
PNL32542	2	1	PANEL; FRONT PANEL ASSY
COV05101	3	1	COVER;ELECTRIC BOX
FAN04378	4	1	FAN; AXIAL FLOW
MOT14615	5	1	MOTOR; BRUSHLESS DC FAN, 60W, 370V
CAP01252	6	3	CAP; DRAINAGE HOLE
SUP05585	7	1	SUPPORT; MOTOR SUPPORT SUB-ASSY
PNL29955	8	1	PANEL; FRONT SIDE
COV04192	9	1	COVER; TOP COVER
GRL01689	10	1	GRILLE; FRONT GRILL
COL26089	11	1	COIL; SUB ASSMBLY
SEN01804	12	1	SENSOR; TEMPERATURE (INCLUDES; DISCHARGE TUBE SENSOR (50K), COIL TUBE SENSOR (20K) AND OUTDOOR AMBIENT SENSOR (15K))
FTG01288	13	1	FITTING; DRAINAGE JOINT
BAS02804	14	1	BASE; PAN

OUTDOOR 16 SEER COOLING ONLY INVERTER 75011446  
2.0 TON ASSY COMPRESSOR & VALVE PARTS

REV  
A



All orderable Service Parts are identified for this product.

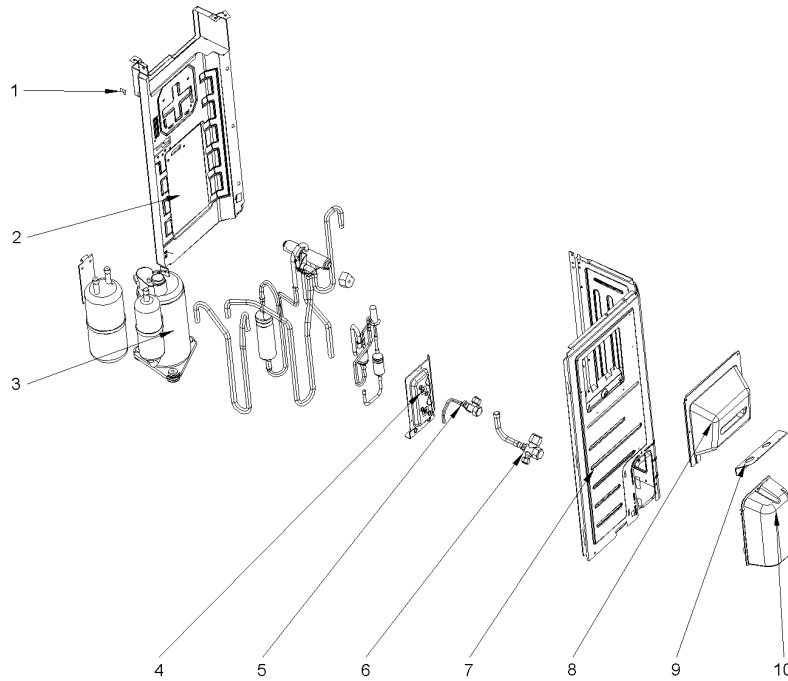
Parts that are not identified, will not be available to order.

This is a typical illustration. The unit in the field may not appear exactly as shown.

Part No.	Reference No.	Quantity	Description
75011446_4TXKUP1_257960~P	*		ASSY COMPRESSOR & VALVE PARTS

OUTDOOR 16 SEER COOLING ONLY INVERTER 75011446  
2.0 TON ASSY COMPRESSOR & VALVE PARTS

REV  
A



All orderable Service Parts are identified for this product.

Parts that are not identified, will not be available to order.

This is a typical illustration. The unit in the field may not appear exactly as shown.

<b>Part No.</b>	<b>Reference No.</b>	<b>Quantity</b>	<b>Description</b>
CMP01443	1	1	CLAMP; WIRING
PNL31756	2	1	PANEL; CLAPBOARD ASSY
COM11893	3	1	COMPRESSOR; AND FITTINGS
SUP06102	4	1	SUPPORT; 4 WAY VALVE ASSEMBLY
VAL12323	5	1	VALVE; CUT-OFF VALVE SUB-ASSY
VAL09900	6	1	VALVE; CUT-OFF (GAS)
PLT05940	7	1	PLATE; RIGHT SIDE
HDL01293	8	1	HANDLE;
BLK01462	9	1	BLOCK;
COV04872	10	1	COVER; VALVE COVER