

Part No.	Reference No.	Quantity	Description
4TXKUP1_4TXKUP1_185882~P	*		16 SEER MINI SPLIT LOMO OUTDOOR PARTS LIST
75011444#4TXKUP1~S	*		ASSY CONTROL PARTS
75011443#4TXKUP1~S	*		ASSY GENERAL PARTS
75011264#4TXKUP1~S	*		MODEL NUMBER DESCRIPTION

NO GRAPHIC AVAILABLE

75013702

REV
A

**NO
GRAPHIC
AVAILABLE**

MODEL NUMBER DESCRIPTION

75011264

REV.
A

16 SEER MINI SPLIT LOMO OUTDOOR

Example Model Number:
4TXK1612A10N0AA
1 - - - 5 - - - 10 - - - 15

Digits 1 – Refrigerant

4 = R-410A

Digits 2 – Brand

T = Outdoor Unit

Digits 3 – Functional Type

X = Heat Pump Inverter
Y = Cooling Only Inverter

Digits 4 – Configuration Outdoor Unit

K = Single Refrigerant Port

Digits 5, 6 – Efficiency Tier

16 = 16 SEER Series

Digits 7, 8 – Nominal Capacity (Btu/h x 1,000)

09 = 9,000 Btu/h
12 = 12,000 Btu/h
18 = 18,000 Btu/h
24 = 24,000 Btu/h

Digits 9 – Major Development Sequence

A = First Development Sequence

Digits 10 – Electric Power Supply Characteristics

1 = 208-230/60/1

Digits 11 – Reserved for Future Use

0 = Not Currently Used

Digits 12 – Regional Markets Served (1:1 Systems)

N = North America Market

Digits 13 – Reserved for Future Use

0 = Not Currently Used

Digits 14 – Minor Design Sequence

A = First Design Sequence

Digits 15 – Service Digit

A = First Sequence

Part No.	Reference No.	Quantity	Description
75011264_4TXKUP1_185884~P	*		MODEL NUMBER DESCRIPTION PARTS LIST

MODEL NUMBER DESCRIPTION

75011264

REV.
A

16 SEER MINI SPLIT LOMO OUTDOOR

Example Model Number:
4TXK1612A10N0AA
1 - - - 5 - - - 10 - - - 15

Digits 1 – Refrigerant

4 = R-410A

Digits 2 – Brand

T = Outdoor Unit

Digits 3 – Functional Type

X = Heat Pump Inverter

Y = Cooling Only Inverter

Digits 4 – Configuration Outdoor Unit

K = Single Refrigerant Port

Digits 5, 6 – Efficiency Tier

16 = 16 SEER Series

Digits 7, 8 – Nominal Capacity (Btu/h x 1,000)

09 = 9,000 Btu/h

12 = 12,000 Btu/h

18 = 18,000 Btu/h

24 = 24,000 Btu/h

Digits 9 – Major Development Sequence

A = First Development Sequence

Digits 10 – Electric Power Supply Characteristics

1 = 208-230/60/1

Digits 11 – Reserved for Future Use

0 = Not Currently Used

Digits 12 – Regional Markets Served (1:1 Systems)

N = North America Market

Digits 13 – Reserved for Future Use

0 = Not Currently Used

Digits 14 – Minor Design Sequence

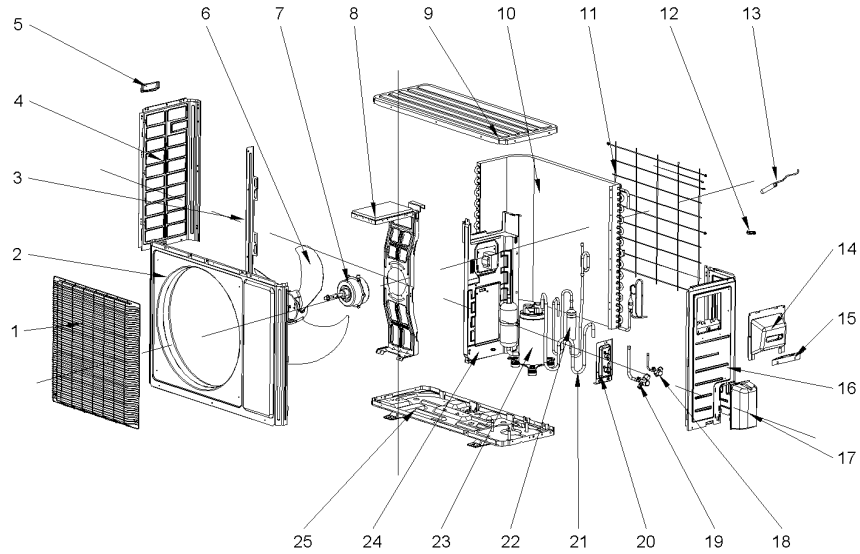
A = First Design Sequence

Digits 15 – Service Digit

A = First Sequence

OUTDOOR 16 SEER COOLING ONLY INVERTER 75011443
1.5 TON ASSY GENERAL PARTS

REV.
A



All orderable Service Parts are identified for this product.

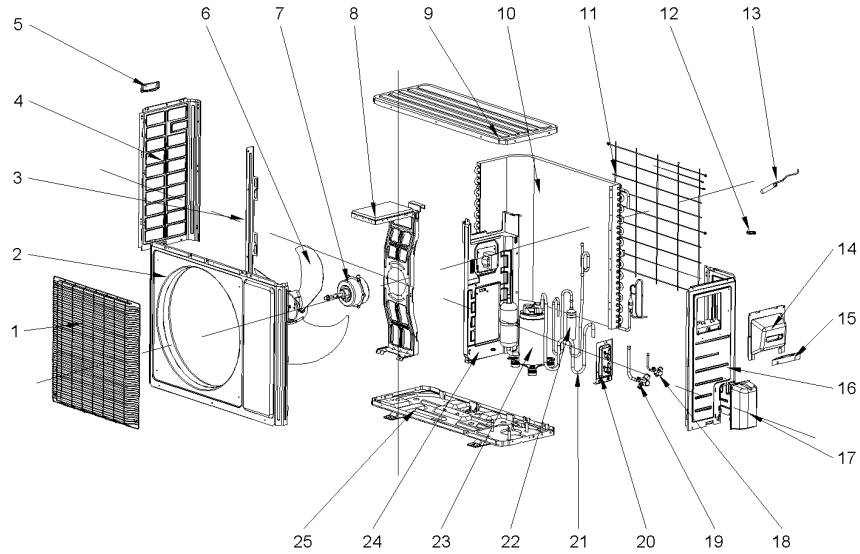
Parts that are not identified, will not be available to order.

This is a typical illustration. The unit in the field may not appear exactly as shown.

Part No.	Reference No.	Quantity	Description
75011443_4TXKUP1_364602~P	*		ASSY GENERAL PARTS

OUTDOOR 16 SEER COOLING ONLY INVERTER 75011443
1.5 TON ASSY GENERAL PARTS

REV.
A



All orderable Service Parts are identified for this product.

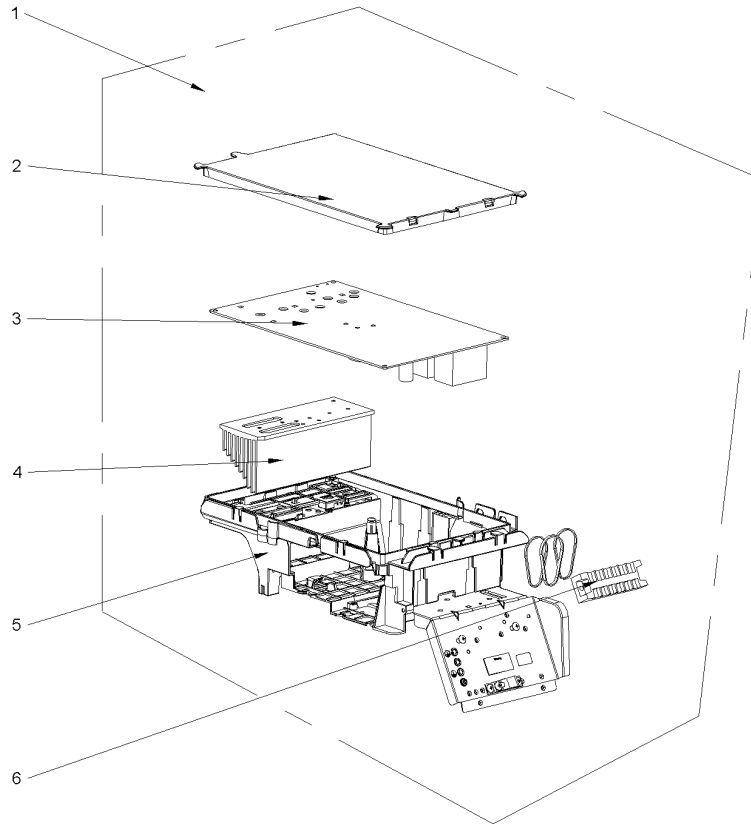
Parts that are not identified, will not be available to order.

This is a typical illustration. The unit in the field may not appear exactly as shown.

Part No.	Reference No.	Quantity	Description
CAP01252	*	3	CAP; DRAINAGE HOLE
FTG01288	*	1	FITTING; DRAINAGE JOINT
GRL01689	1	1	GRILLE; FRONT GRILL
PNL32542	2	1	PANEL; FRONT PANEL ASSY
SUP06140	3	1	SUPPORT; COIL PLATE
PNL29955	4	1	PANEL; FRONT SIDE
HDL01293	5	1	HANDLE;
FAN04378	6	1	FAN; AXIAL FLOW
MOT14615	7	1	MOTOR; BRUSHLESS DC FAN, 60W, 370V
SUP06143	8	1	SUPPORT; MOTOR
COV04192	9	1	COVER; TOP COVER
COL26088	10	1	COIL; SUB ASSMBLY
GRL01688	11	1	GRILLE; REAR GRILL
CMP01443	12	1	CLAMP; WIRING
SEN01804	13	1	SENSOR; TEMPERATURE (INCLUDES; DISCHARGE TUBE SENSOR (50K), COIL TUBE SENSOR (20K) AND OUTDOOR AMBIENT SENSOR (15K))
HDL01100	14	1	HANDLE; HANDLE ASSY(02113109)
BLK01462	15	1	BLOCK;
PLT05255	16	1	PLATE; RIGHT SIDE
COV04872	17	1	COVER; VALVE COVER
VAL09985	18	1	VALVE; CUT-OFF VALVE SUB-ASSY
VAL12322	19	1	VALVE; CUT-OFF
SUP05280	20	1	SUPPORT; VALVE SUPPORT ASSY
TUB14316	21	1	TUBE; INHALATION SUB ASSEMBLY
TUB14317	22	1	TUBE; DISCHARGE SUB ASSEMBLY
COM11893	23	1	COMPRESSOR; AND FITTINGS
PNL31756	24	1	PANEL; CLAPBOARD ASSY
BAS02803	25	1	BASE; PAN

OUTDOOR 16 SEER COOLING ONLY INVERTER 75011444
1.5 TON ASSY CONTROL PARTS

REV.
A

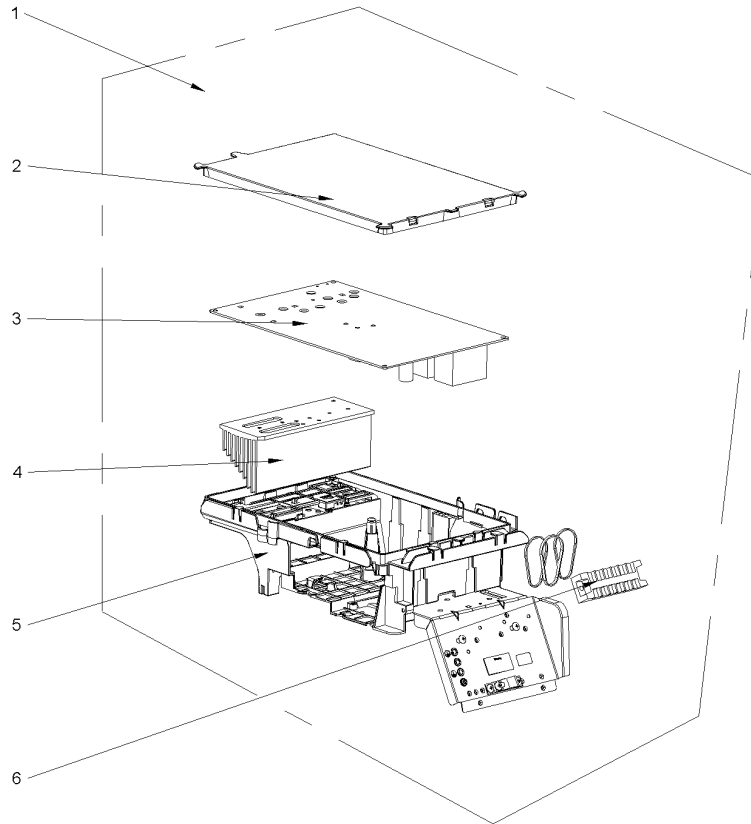


All orderable Service Parts are identified for this product.
Parts that are not identified, will not be available to order.
This is a typical illustration. The unit in the field may not appear exactly as shown.

Part No.	Reference No.	Quantity	Description
75011444_4TXKUP1_364603~P	*		ASSY CONTROL PARTS

OUTDOOR 16 SEER COOLING ONLY INVERTER 75011444
1.5 TON ASSY CONTROL PARTS

REV.
A



All orderable Service Parts are identified for this product.
Parts that are not identified, will not be available to order.
This is a typical illustration. The unit in the field may not appear exactly as shown.

Part No.	Reference No.	Quantity	Description
BOX02933	1	1	BOX; ELECTRICAL ASSEMBLY (INCLUDES TERMINAL BOARD, MAIN AND CONNECTIONS)
COV05101	2	1	COVER;ELECTRIC BOX
EXC02410	3	1	EXCHANGER; HEAT SINK
BRD05546	4	1	BOARD; MAIN PCB
BOX02922	5	1	BOX; ELECTRICAL
BRD03384	6	1	BOARD; TERMINAL