

Part No.	Reference No.	Quantity	Description
4TXKUP1_4TXKUP1_185882~P	*		16 SEER MINI SPLIT LOMO OUTDOOR PARTS LIST
75011442#4TXKUP1~S	*		ASSY CONTROL PARTS
75011439#4TXKUP1~S	*		ASSY GENERAL PARTS
75011264#4TXKUP1~S	*		MODEL NUMBER DESCRIPTION

NO GRAPHIC AVAILABLE

75013702

REV
A

**NO
GRAPHIC
AVAILABLE**

MODEL NUMBER DESCRIPTION	75011264	REV. A
16 SEER MINI SPLIT LOMO OUTDOOR		
<i>Example Model Number:</i> 4TXK1612A10N0AA <small>1 - - - 5 - - - 10 - - - 15</small>		
Digits 1 – Refrigerant 4 = R-410A		
Digits 2 – Brand T = Outdoor Unit		
Digits 3 – Functional Type X = Heat Pump Inverter Y = Cooling Only Inverter		
Digits 4 – Configuration Outdoor Unit K = Single Refrigerant Port		
Digits 5, 6 – Efficiency Tier 16 = 16 SEER Series		
Digits 7, 8 – Nominal Capacity (Btu/h x 1,000) 09 = 9,000 Btu/h 12 = 12,000 Btu/h 18 = 18,000 Btu/h 24 = 24,000 Btu/h		
Digits 9 – Major Development Sequence A = First Development Sequence		
Digits 10 – Electric Power Supply Characteristics 1 = 208-230/60/1		
Digits 11 – Reserved for Future Use 0 = Not Currently Used		
Digits 12 – Regional Markets Served (1:1 Systems) N = North America Market		
Digits 13 – Reserved for Future Use 0 = Not Currently Used		
Digits 14 – Minor Design Sequence A = First Design Sequence		
Digits 15 – Service Digit A = First Sequence		
1 of 1		

Part No.	Reference No.	Quantity	Description
75011264_4TXKUP1_185884~P	*		MODEL NUMBER DESCRIPTION PARTS LIST

MODEL NUMBER DESCRIPTION

75011264

REV.
A

16 SEER MINI SPLIT LOMO OUTDOOR

Example Model Number:
4TXK1612A10N0AA
1 - - - 5 - - - 10 - - - 15

Digits 1 – Refrigerant

4 = R-410A

Digits 2 – Brand

T = Outdoor Unit

Digits 3 – Functional Type

X = Heat Pump Inverter
Y = Cooling Only Inverter

Digits 4 – Configuration Outdoor Unit

K = Single Refrigerant Port

Digits 5, 6 – Efficiency Tier

16 = 16 SEER Series

Digits 7, 8 – Nominal Capacity (Btu/h x 1,000)

09 = 9,000 Btu/h
12 = 12,000 Btu/h
18 = 18,000 Btu/h
24 = 24,000 Btu/h

Digits 9 – Major Development Sequence

A = First Development Sequence

Digits 10 – Electric Power Supply Characteristics

1 = 208-230/60/1

Digits 11 – Reserved for Future Use

0 = Not Currently Used

Digits 12 – Regional Markets Served (1:1 Systems)

N = North America Market

Digits 13 – Reserved for Future Use

0 = Not Currently Used

Digits 14 – Minor Design Sequence

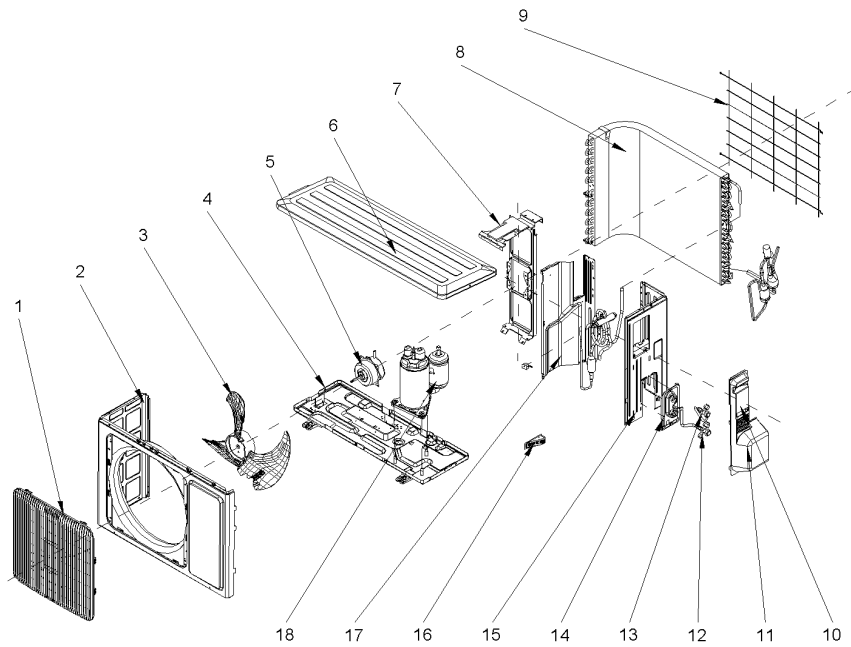
A = First Design Sequence

Digits 15 – Service Digit

A = First Sequence

OUTDOOR 16 SEER COOLING ONLY INVERTER 75011439
0.75 & 1.0 TON ASSY GENERAL PARTS

REV.
A



All orderable Service Parts are identified for this product.

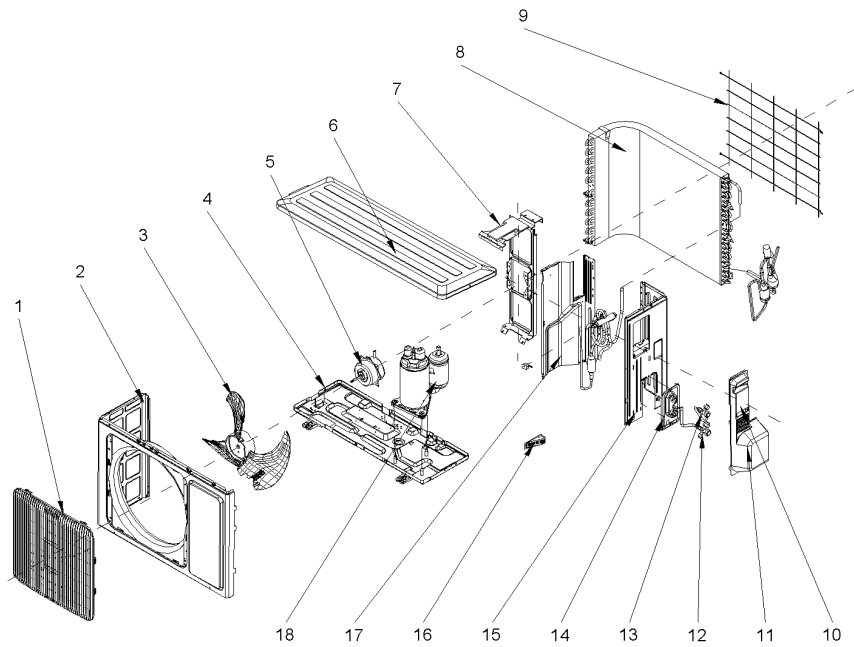
Parts that are not identified, will not be available to order.

This is a typical illustration. The unit in the field may not appear exactly as shown.

Part No.	Reference No.	Quantity	Description
75011439_4TXKUP1_251677~P	*		ASSY GENERAL PARTS

OUTDOOR 16 SEER COOLING ONLY INVERTER 75011439
0.75 & 1.0 TON ASSY GENERAL PARTS

REV.
A



All orderable Service Parts are identified for this product.

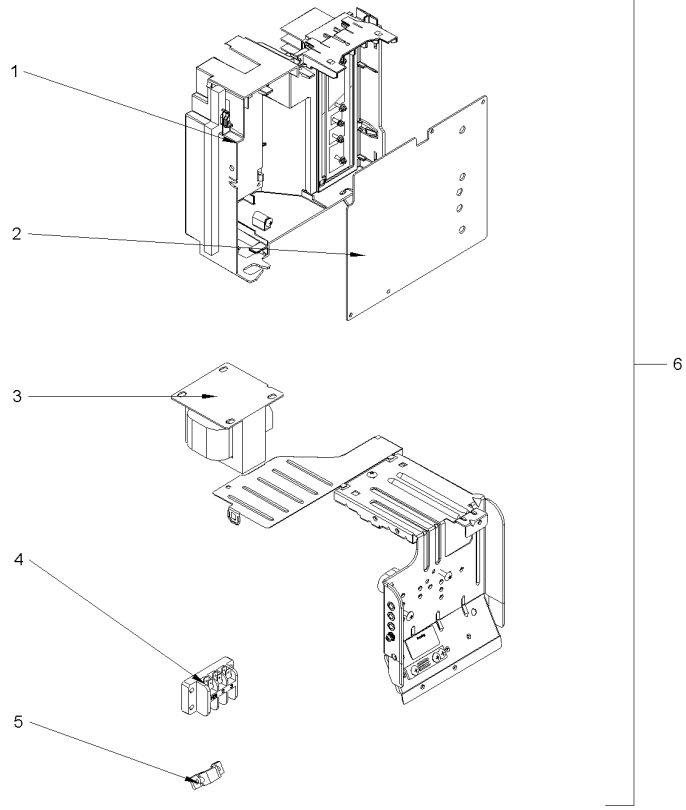
Parts that are not identified, will not be available to order.

This is a typical illustration. The unit in the field may not appear exactly as shown.

Part No.	Reference No.	Quantity	Description
FTG01288	*	1	FITTING; DRAINAGE JOINT
GRL01837	1	1	GRILL; FRONT
PNL33566	2	1	PANEL; FRONT ASSEMBLY
FAN05603	3	1	FAN; ASSEMBLY
BAS02802	4	1	BASE; PAN
MOT17355	5	1	MOTOR; FAN
COV05098	6	1	COVER; TOP ASSEMBLY
SUP06141	7	1	SUPPORT; MOTOR
COL26087	8	1	COIL; SUB ASSMBLY
GRL02046	9	1	GRILL; REAR
PLT05369	10	1	PLATE; TERMINAL COVER 2
COV05063	11	1	COVER; VALVE
VAL08943	12	1	VALVE; 1/4 LIQUID
VAL09988	13	1	VALVE; CUT-OFF VALVE
SUP06101	14	1	SUPPORT; 4 WAY VALVE ASSEMBLY
PLT05866	15	1	PLATE; RIGHT SIDE
HLD00673	16	1	HANDLE; FRONT PANEL
PNL33516	17	1	PANEL; CONTROL BOX /AIR FLOW SEPARATOR
COM12104	18	1	COMPRESSOR;

OUTDOOR 16 SEER COOLING ONLY INVERTER 75011442
0.75 & 1.0 TON ASSY CONTROL PARTS

REV.
A

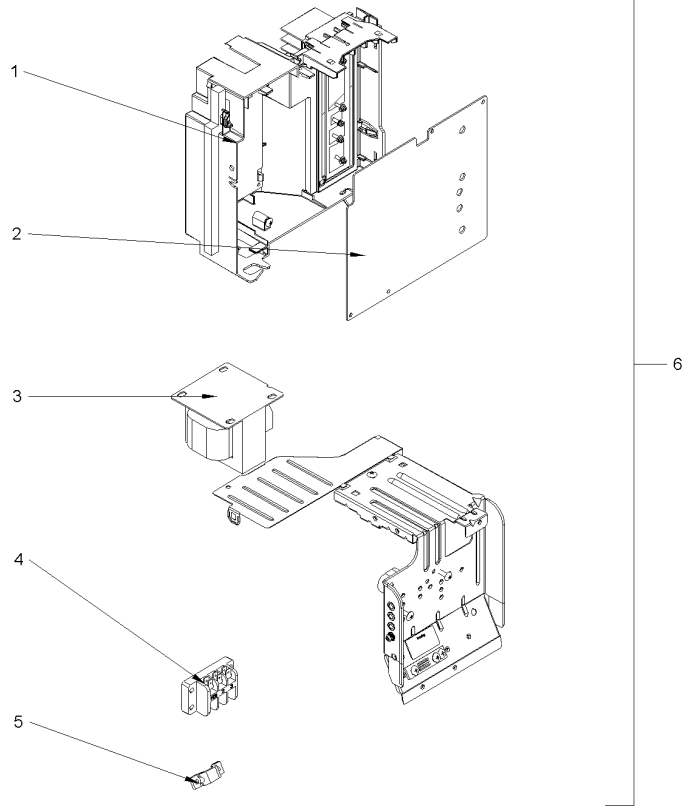


All orderable Service Parts are identified for this product.
Parts that are not identified, will not be available to order.
This is a typical illustration. The unit in the field may not appear exactly as shown.

Part No.	Reference No.	Quantity	Description
75011442_4TXKUP1_251678~P	*		ASSY CONTROL PARTS

OUTDOOR 16 SEER COOLING ONLY INVERTER 75011442
0.75 & 1.0 TON ASSY CONTROL PARTS

REV.
A



All orderable Service Parts are identified for this product.
Parts that are not identified, will not be available to order.
This is a typical illustration. The unit in the field may not appear exactly as shown.

Part No.	Reference No.	Quantity	Description
CAS02078	1	1	CASING; ELECTRICAL BOX
BRD05542	2	1	BOARD; MAIN PCB
TRR02657	3	1	TRANSFORMER; REACTOR
BRD04349	4	1	BOARD; TERMINAL
CMP01444	5	2	CLAMP; WIRE
BOX02935	6	1	BOX; ELECTRICAL ASSEMBLY (INCLUDES TERMINAL BOARD, MAIN AND CONNECTIONS)