

<b>Part No.</b>	<b>Reference No.</b>	<b>Quantity</b>	<b>Description</b>
4TXUUP1_4TXUUP1_147268~P	*		4TXUUP1 PARTS LIST
75010843#4TXUUP1~S	*		GENERAL ASSEMBLY OUTDOOR 3.5 & 4.0 TON
75010847#4TXUUP1~S	*		MODEL NOMENCLATURE

NO GRAPHIC AVAILABLE

75013702

REV  
A

**NO  
GRAPHIC  
AVAILABLE**

MODEL NUMBER DESCRIPTION  
OUTDOOR PRO SERIES MODEL NOMENCLATURE

75010847

REV.  
A

*Example Model Number:*  
**4TXU2018A10N0AA**  
1 - - - - 5 - - - - 10 - - - - 15

**Digit 1 – Refrigerant**

4 = R-410A

**Digit 2 – Brand**

T = Outdoor Unit

**Digit 3 – Functional Type**

X = Heat Pump Inverter

**Digit 4 – Configuration Outdoor Unit**

U = Pro Series

**Digits 5, 6 – Efficiency Tier**

20 = Up to 20 SEER Pro Series

**Digits 7, 8 – Nominal Capacity (Btu/h x 1,000)**

18 = 18,000 Btu/h

24 = 24,000 Btu/h

30 = 30,000 Btu/h

48 = 48,000 Btu/h

**Digit 9 – Major Development Sequence**

A = First Development Sequence

**Digit 10 – Electric Power Supply**

1 = 208-230/60/1

**Digit 11 – Reserved for Future Use**

0 = Not Currently Used

**Digit 12 – Regional Markets Served**

N = North America Market

**Digit 13 – Reserved for Future Use**

0 = Not Currently Used

**Digit 14 – Minor Design Sequence**

A = First Design Sequence

**Digit 15 – Service Digit**

A = First Sequence

Part No.	Reference No.	Quantity	Description
75010847_4TXUUP1_319176~P	*		MODEL NOMENCLATURE PARTS LIST

MODEL NUMBER DESCRIPTION  
OUTDOOR PRO SERIES MODEL NOMENCLATURE

75010847

REV.  
A

*Example Model Number:*  
**4TXU2018A10N0AA**  
1 - - - - 5 - - - - 10 - - - - 15

**Digit 1 – Refrigerant**

4 = R-410A

**Digit 2 – Brand**

T = Outdoor Unit

**Digit 3 – Functional Type**

X = Heat Pump Inverter

**Digit 4 – Configuration Outdoor Unit**

U = Pro Series

**Digits 5, 6 – Efficiency Tier**

20 = Up to 20 SEER Pro Series

**Digits 7, 8 – Nominal Capacity (Btu/h x 1,000)**

18 = 18,000 Btu/h

24 = 24,000 Btu/h

30 = 30,000 Btu/h

48 = 48,000 Btu/h

**Digit 9 – Major Development Sequence**

A = First Development Sequence

**Digit 10 – Electric Power Supply**

1 = 208-230/60/1

**Digit 11 – Reserved for Future Use**

0 = Not Currently Used

**Digit 12 – Regional Markets Served**

N = North America Market

**Digit 13 – Reserved for Future Use**

0 = Not Currently Used

**Digit 14 – Minor Design Sequence**

A = First Design Sequence

**Digit 15 – Service Digit**

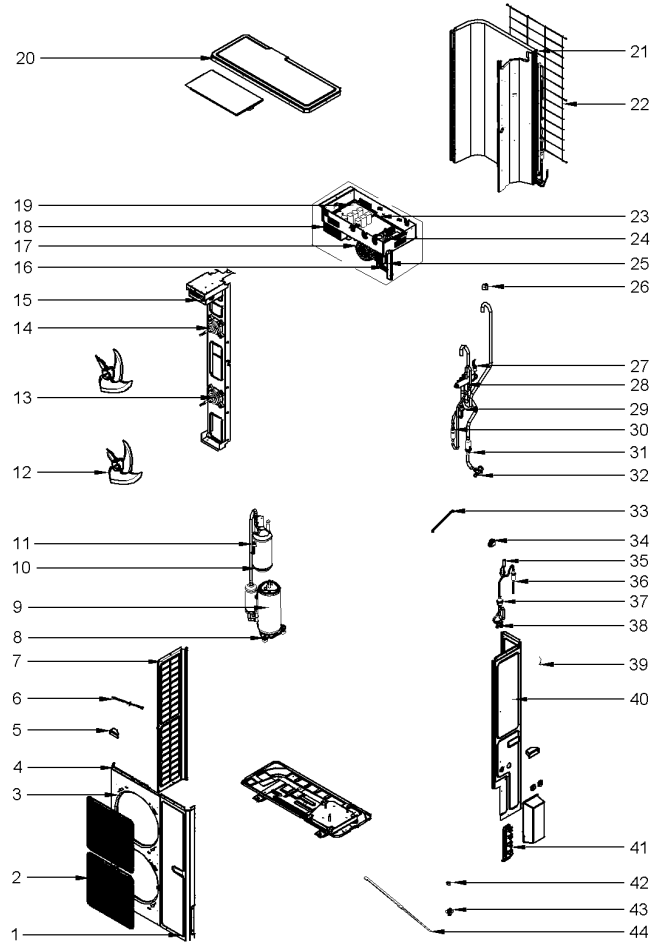
A = First Sequence

GENERAL ASSEMBLY

75010843

REV.  
A

OUTDOOR 4.0 TON HEAT PUMP INVERTER PRO SERIES  
TYPICAL ILLUSTRATION



Parts List Number :4TXUUP1#4TXUUP1

Model Number :4TXU2048A10N0AA

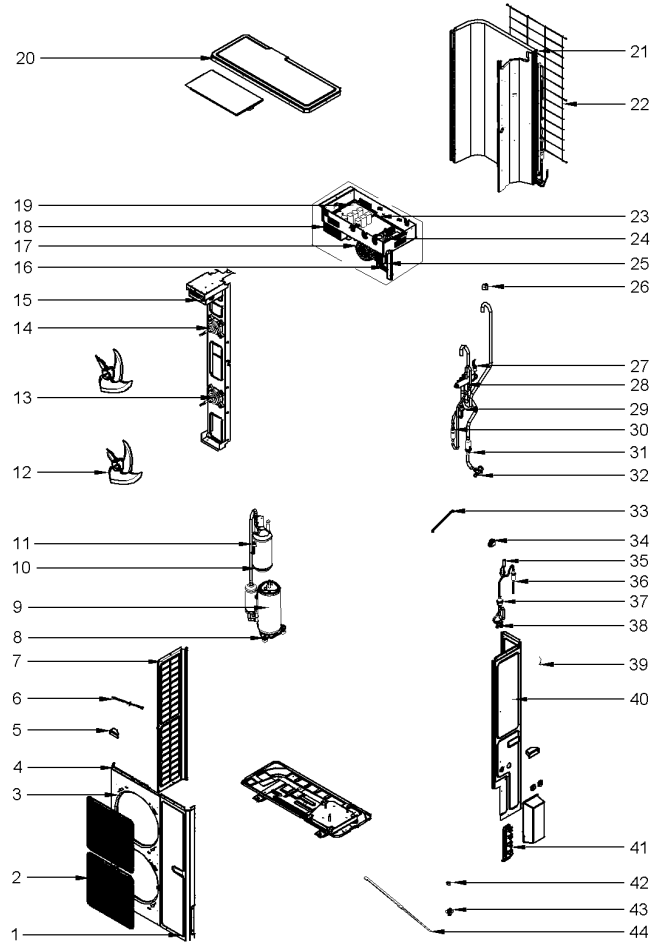
Part No.	Reference No.	Quantity	Description
75010843_4TXUUP1_398166~P	*		GENERAL ASSEMBLY OUTDOOR 3.5 & 4.0 TON PARTS LIST

GENERAL ASSEMBLY

75010843

REV.  
A

OUTDOOR 4.0 TON HEAT PUMP INVERTER PRO SERIES  
TYPICAL ILLUSTRATION



Parts List Number :4TXUUP1#4TXUUP1

Model Number :4TXU2048A10N0AA

Part No.	Reference No.	Quantity	Description
PNL32162	1	1	PANEL; FRONT SIDE PLATE
GRL01950	2	2	GRILLE; FRONT
RNG02375	3	2	RING; DIVERSION CIRCLE
PNL32160	4	1	PANEL; CABINET ASSY
HDL01293	5	1	HANDLE;
HTR15660	6	1	HEATER; PAN SUB-ASSY
PNL32161	7	1	PANEL; LEFT SIDE PLATE
GKT04751	8	3	GASKET; COMPRESSOR
COM11892	9	1	COMPRESSOR; GREE, 00204100001
SEP00225	10	1	SEPARATOR; GAS-LIQUID SEPARATOR SUB-ASSY
SWT03912	11	1	SWITCH; PRESSURE PROTECT
FAN05467	12	2	FAN; AXIAL FLOW
MOT17025	13	1	MOTOR; FAN
MOT17023	14	1	MOTOR; FAN
SUP05937	15	1	SUPPORT; MOTOR, SUB-ASSY
BRD04893	16	1	BOARD; TERMINAL
CNT07396	17	1	CONTROL; PFC INDUCTANCE
EXC02634	18	1	EXCHANGER; RADIATOR
BRD05260	19	1	BOARD; MAIN
COV04939	20	1	COVER; TOP, COPING
COL25497	21	1	COIL; GREE, 01125200197
GRL01949	22	1	GRILLE; REAR
BRD05261	23	1	BOARD; FILTER
BRD05257	24	1	BOARD; MAIN
BRD05244	25	1	BOARD; TERMINAL
COL25498	26	1	COIL; MAGNET, SOV
SWT03651	27	1	SWITCH; PRESSURE PROTECT
VAL11946	28	1	VALVE; 4-WAY, ASSY
SWT03911	29	1	SWITCH; PRESSURE PROTECT
BAF01420	30	1	BAFFLE; SILENCER
SRA01035	31	1	STRAINER;
VAL11943	32	1	VALVE; CUT OFF
FTG01352	34	1	FITTING; ELECTRIC EXPAND VALVE
VAL11951	35	1	VALVE; ELECTRONIC EXPANSION, SUB-ASSY
SRA01032	36	1	STRAINER; BIDIRECTION
FLR08132	37	1	FILTER;
VAL09977	38	1	VALVE; CUT-OFF VALVE( 07130209)
SEN02377	39	1	SENSOR; TEMPERATURE
PNL32164	40	1	PANEL; REAR SIDE PLATE SUB-ASSY
PNL32166	41	1	PANEL; VALVE SUPPORT SUB-ASSY
CAP01252	42	3	CAP; DRAINAGE HOLE
FTG01288	43	1	FITTING; DRAINAGE JOINT
HTR15658	44	1	HEATER; ELECTRICAL