

| Part No. | Reference No. | Quantity | Description |
|--------------------------|----------------------|-----------------|--|
| 4TXUUP1_4TXUUP1_147268~P | * | | 4TXUUP1 PARTS LIST |
| 75010843#4TXUUP1~S | * | | GENERAL ASSEMBLY OUTDOOR 3.5 & 4.0 TON |
| 75010847#4TXUUP1~S | * | | MODEL NOMENCLATURE |

NO GRAPHIC AVAILABLE

75013702

REV
A

**NO
GRAPHIC
AVAILABLE**

MODEL NUMBER DESCRIPTION
OUTDOOR PRO SERIES MODEL NOMENCLATURE

75010847

REV.
A

Example Model Number:
4TXU2018A10N0AA
1 - - - - 5 - - - - 10 - - - - 15

Digit 1 – Refrigerant

4 = R-410A

Digit 2 – Brand

T = Outdoor Unit

Digit 3 – Functional Type

X = Heat Pump Inverter

Digit 4 – Configuration Outdoor Unit

U = Pro Series

Digits 5, 6 – Efficiency Tier

20 = Up to 20 SEER Pro Series

Digits 7, 8 – Nominal Capacity (Btu/h x 1,000)

18 = 18,000 Btu/h

24 = 24,000 Btu/h

30 = 30,000 Btu/h

48 = 48,000 Btu/h

Digit 9 – Major Development Sequence

A = First Development Sequence

Digit 10 – Electric Power Supply

1 = 208-230/60/1

Digit 11 – Reserved for Future Use

0 = Not Currently Used

Digit 12 – Regional Markets Served

N = North America Market

Digit 13 – Reserved for Future Use

0 = Not Currently Used

Digit 14 – Minor Design Sequence

A = First Design Sequence

Digit 15 – Service Digit

A = First Sequence

| Part No. | Reference No. | Quantity | Description |
|---------------------------|---------------|----------|-------------------------------|
| 75010847_4TXUUP1_319176~P | * | | MODEL NOMENCLATURE PARTS LIST |

MODEL NUMBER DESCRIPTION
OUTDOOR PRO SERIES MODEL NOMENCLATURE

75010847

REV.
A

Example Model Number:
4TXU2018A10N0AA
1 - - - - 5 - - - - 10 - - - - 15

Digit 1 – Refrigerant

4 = R-410A

Digit 2 – Brand

T = Outdoor Unit

Digit 3 – Functional Type

X = Heat Pump Inverter

Digit 4 – Configuration Outdoor Unit

U = Pro Series

Digits 5, 6 – Efficiency Tier

20 = Up to 20 SEER Pro Series

Digits 7, 8 – Nominal Capacity (Btu/h x 1,000)

18 = 18,000 Btu/h

24 = 24,000 Btu/h

30 = 30,000 Btu/h

48 = 48,000 Btu/h

Digit 9 – Major Development Sequence

A = First Development Sequence

Digit 10 – Electric Power Supply

1 = 208-230/60/1

Digit 11 – Reserved for Future Use

0 = Not Currently Used

Digit 12 – Regional Markets Served

N = North America Market

Digit 13 – Reserved for Future Use

0 = Not Currently Used

Digit 14 – Minor Design Sequence

A = First Design Sequence

Digit 15 – Service Digit

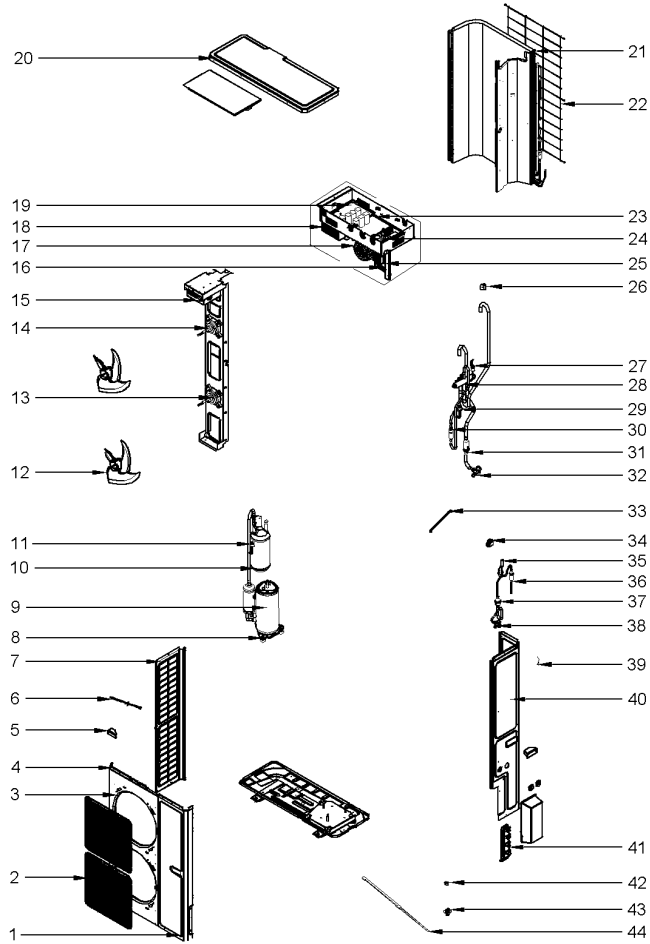
A = First Sequence

GENERAL ASSEMBLY

75010843

REV.
A

OUTDOOR 4.0 TON HEAT PUMP INVERTER PRO SERIES
TYPICAL ILLUSTRATION



Parts List Number :4TXUUP1#4TXUUP1

Model Number :4TXU2042A10N0AA

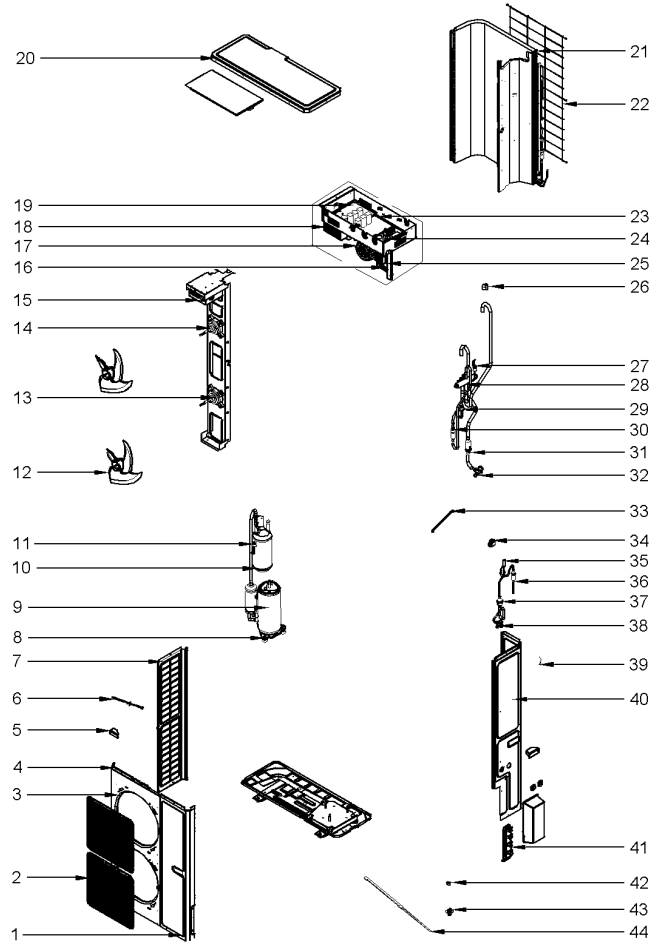
| Part No. | Reference No. | Quantity | Description |
|---------------------------|---------------|----------|---|
| 75010843_4TXUUP1_337236~P | * | | GENERAL ASSEMBLY OUTDOOR 3.5 & 4.0 TON PARTS LIST |

GENERAL ASSEMBLY

75010843

REV.
A

OUTDOOR 4.0 TON HEAT PUMP INVERTER PRO SERIES
TYPICAL ILLUSTRATION



Parts List Number :4TXUUP1#4TXUUP1

Model Number :4TXU2042A10N0AA

| Part No. | Reference No. | Quantity | Description |
|----------|---------------|----------|-----------------------------------|
| PNL32162 | 1 | 1 | PANEL; FRONT SIDE PLATE |
| GRL01950 | 2 | 2 | GRILLE; FRONT |
| RNG02375 | 3 | 2 | RING; DIVERSION CIRCLE |
| PNL32160 | 4 | 1 | PANEL; CABINET ASSY |
| HDL01293 | 5 | 1 | HANDLE; |
| HTR15660 | 6 | 1 | HEATER; PAN SUB-ASSY |
| PNL32161 | 7 | 1 | PANEL; LEFT SIDE PLATE |
| GKT04766 | 8 | 3 | GASKET; COMPRESSOR |
| COM11927 | 9 | 1 | COMPRESSOR; |
| SEP00273 | 10 | 1 | SEPARATOR; GAS-LIQUID SUB-ASSY |
| SWT03911 | 11 | 1 | SWITCH; PRESSURE PROTECT |
| FAN05467 | 12 | 2 | FAN; AXIAL FLOW |
| MOT17025 | 13 | 1 | MOTOR; FAN |
| MOT17023 | 14 | 1 | MOTOR; FAN |
| SUP05964 | 15 | 1 | SUPPORT; MOTOR SUB-ASSY |
| BRD04893 | 16 | 1 | BOARD; TERMINAL |
| HTR11042 | 17 | 1 | HEATER; PFC INDUCTANCE(43120011) |
| EXC02656 | 18 | 1 | EXCHANGER; RADIATOR |
| BRD05285 | 19 | 1 | BOARD; DRIVE |
| COV04939 | 20 | 1 | COVER; TOP, COPING |
| COL25497 | 21 | 1 | COIL; GREE, 01125200197 |
| GRL01949 | 22 | 1 | GRILLE; REAR |
| BRD05248 | 23 | 1 | BOARD; FILTER |
| BRD05286 | 24 | 1 | BOARD; MAIN |
| BRD05244 | 25 | 1 | BOARD; TERMINAL |
| COL25498 | 26 | 1 | COIL; MAGNET, SOV |
| SWT03651 | 27 | 1 | SWITCH; PRESSURE PROTECT |
| VAL12009 | 28 | 1 | VALVE; 4-WAY ASSY |
| SWT03911 | 29 | 1 | SWITCH; PRESSURE PROTECT |
| BAF01420 | 30 | 1 | BAFFLE; SILENCER |
| SRA01035 | 31 | 1 | STRAINER; |
| VAL11943 | 32 | 1 | VALVE; CUT OFF |
| FTG01378 | 34 | 1 | FITTING; VALVE, ELECTRIC EXPAND |
| VAL12011 | 35 | 1 | VALVE; ELECTRONIC EXPANSION ASSY |
| SRA01032 | 36 | 1 | STRAINER; BIDIRECTION |
| FLR08132 | 37 | 1 | FILTER; |
| VAL09977 | 38 | 1 | VALVE; CUT-OFF VALVE(07130209) |
| SEN02377 | 39 | 1 | SENSOR; TEMPERATURE |
| PNL32164 | 40 | 1 | PANEL; REAR SIDE PLATE SUB-ASSY |
| PNL32166 | 41 | 1 | PANEL; VALVE SUPPORT SUB-ASSY |
| CAP01252 | 42 | 3 | CAP; DRAINAGE HOLE |
| FTG01288 | 43 | 1 | FITTING; DRAINAGE JOINT |
| HTR12714 | 44 | 1 | HEATER; ELECTRICAL |