

Part No.	Reference No.	Quantity	Description
4TXUUP1_4TXUUP1_147268~P	*		4TXUUP1 PARTS LIST
75010842#4TXUUP1~S	*		GENERAL ASSEMBLY OUTDOOR 2.5 TON
75010847#4TXUUP1~S	*		MODEL NOMENCLATURE

NO GRAPHIC AVAILABLE

75013702

REV
A

**NO
GRAPHIC
AVAILABLE**

MODEL NUMBER DESCRIPTION
OUTDOOR PRO SERIES MODEL NOMENCLATURE

75010847

REV.
A

Example Model Number:
4TXU2018A10N0AA
1 - - - - 5 - - - - 10 - - - - 15

Digit 1 – Refrigerant

4 = R-410A

Digit 2 – Brand

T = Outdoor Unit

Digit 3 – Functional Type

X = Heat Pump Inverter

Digit 4 – Configuration Outdoor Unit

U = Pro Series

Digits 5, 6 – Efficiency Tier

20 = Up to 20 SEER Pro Series

Digits 7, 8 – Nominal Capacity (Btu/h x 1,000)

18 = 18,000 Btu/h

24 = 24,000 Btu/h

30 = 30,000 Btu/h

48 = 48,000 Btu/h

Digit 9 – Major Development Sequence

A = First Development Sequence

Digit 10 – Electric Power Supply

1 = 208-230/60/1

Digit 11 – Reserved for Future Use

0 = Not Currently Used

Digit 12 – Regional Markets Served

N = North America Market

Digit 13 – Reserved for Future Use

0 = Not Currently Used

Digit 14 – Minor Design Sequence

A = First Design Sequence

Digit 15 – Service Digit

A = First Sequence

Part No.	Reference No.	Quantity	Description
75010847_4TXUUP1_319176~P	*		MODEL NOMENCLATURE PARTS LIST

MODEL NUMBER DESCRIPTION
OUTDOOR PRO SERIES MODEL NOMENCLATURE

75010847

REV.
A

Example Model Number:
4TXU2018A10N0AA
1 - - - - 5 - - - - 10 - - - - 15

Digit 1 – Refrigerant

4 = R-410A

Digit 2 – Brand

T = Outdoor Unit

Digit 3 – Functional Type

X = Heat Pump Inverter

Digit 4 – Configuration Outdoor Unit

U = Pro Series

Digits 5, 6 – Efficiency Tier

20 = Up to 20 SEER Pro Series

Digits 7, 8 – Nominal Capacity (Btu/h x 1,000)

18 = 18,000 Btu/h

24 = 24,000 Btu/h

30 = 30,000 Btu/h

48 = 48,000 Btu/h

Digit 9 – Major Development Sequence

A = First Development Sequence

Digit 10 – Electric Power Supply

1 = 208-230/60/1

Digit 11 – Reserved for Future Use

0 = Not Currently Used

Digit 12 – Regional Markets Served

N = North America Market

Digit 13 – Reserved for Future Use

0 = Not Currently Used

Digit 14 – Minor Design Sequence

A = First Design Sequence

Digit 15 – Service Digit

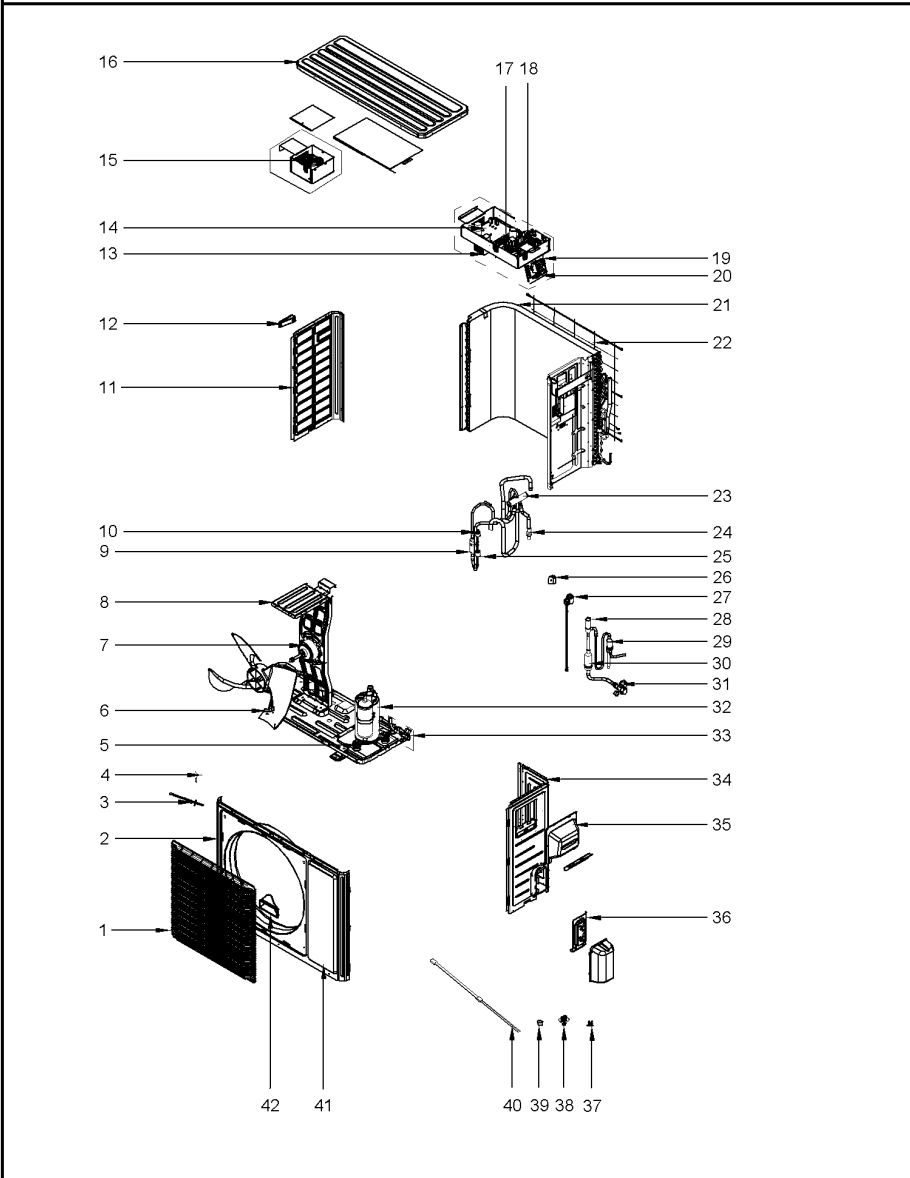
A = First Sequence

GENERAL ASSEMBLY

75010842

REV.
A

OUTDOOR 2.5 TON HEAT PUMP INVERTER PRO SERIES
TYPICAL ILLUSTRATION



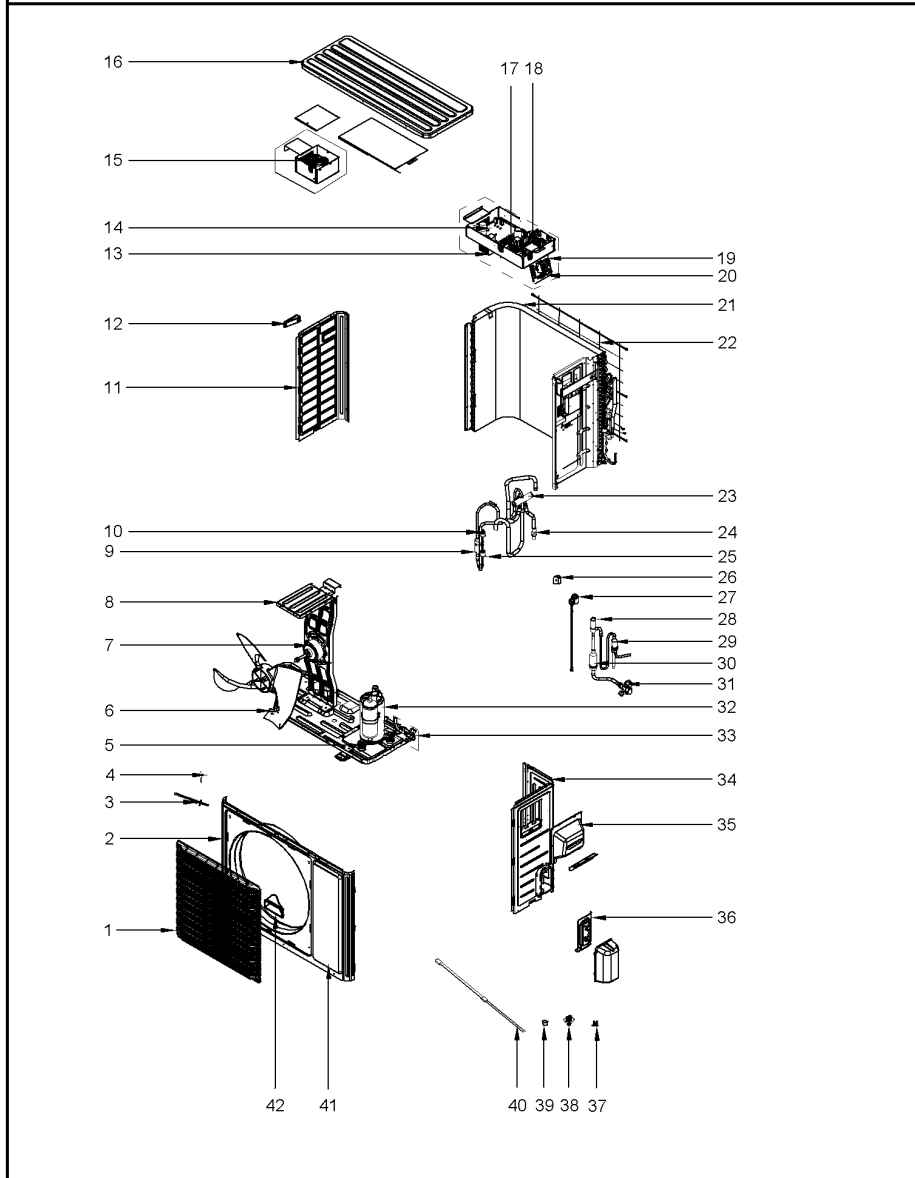
Part No.	Reference No.	Quantity	Description
75010842_4TXUUP1_319175~P	*		GENERAL ASSEMBLY OUTDOOR 2.5 TON PARTS LIST

GENERAL ASSEMBLY

75010842

REV.
A

OUTDOOR 2.5 TON HEAT PUMP INVERTER PRO SERIES
TYPICAL ILLUSTRATION



Parts List Number :4TXUUP1#4TXUUP1

Model Number :4TXU2030A10N0AA

Part No.	Reference No.	Quantity	Description
GRL01838	1	1	GRILL; FRONT
PNL29822	2	1	PANEL; CABINET
HTR15661	3	1	HEATER; PAN SUB-ASSY
SEN02376	4	1	SENSOR; TEMPERATURE
GKT04766	5	3	GASKET; COMPRESSOR
FAN05385	6	1	FAN; AXIAL FLOW
MOT14689	7	1	MOTOR; FAN
SUP05933	8	1	SUPPORT; MOTOR, ASSY
BAF01420	9	1	BAFFLE; SILENCER
SWT03911	10	1	SWITCH; PRESSURE PROTECT
PNL29543	11	1	PANEL; LEFT SIDE PLATE
EXC02632	13	1	EXCHANGER; RADIATOR
BRD05251	14	1	BOARD; MAIN
CNT06862	15	1	CONTROL;PFC INDUCTANCE
PNL29029	16	1	PANEL; TOP COVER SUB-ASSY
BRD05248	17	1	BOARD: FILTER
BRD05258	18	1	BOARD; MAIN
BRD05244	19	1	BOARD; TERMINAL
BRD05245	20	1	BOARD; TERMINAL
COL25494	21	1	COIL; GREE, 01125200182
GRL01948	22	1	GRILLE; REAR
VAL11944	23	1	VALVE; 4-WAY, ASSY
SRA01028	24	1	STRAINER;
SWT03651	25	1	SWITCH; PRESSURE PROTECT
COL16754	26	1	COIL; SOLNOID REVERSING VALVE
FTG01353	27	1	FITTING; ELECTRIC EXPAND VALVE
VAL11949	28	1	VALVE; ELECTRONIC EXPANSION, SUB-ASSY
SRA01033	29	1	STRAINER;
SRA01032	30	1	STRAINER; BIDIRECTION
VAL09988	31	1	VALVE; CUT-OFF VALVE
COM11891	32	1	COMPRESSOR; GREE, 0010505701
VAL09900	33	1	VALVE; CUT-OFF (GAS)
PNL32163	34	1	PANEL; RIGHT SIDE PLATE SUB-ASSY
HDL01298	35	1	HANDLE; ASSY
PNL29410	36	1	PANEL; LEFT SIDE PLATE
OLD00725	37	1	OVERLOAD; COMPRESSOR, PROTECTOR, EXTERNAL
FTG01288	38	1	FITTING; DRAINAGE JOINT
CAP01252	39	3	CAP; DRAINAGE HOLE
HTR12715	40	1	HEATER; ELECTRICAL HEATER(COMPRESSOR)
PNL29824	41	1	PANEL; FRONT SIDE PLATE
HDL01103	42	1	HANDLE; LEFT HANDLE(26235401)