

<b>Part No.</b>	<b>Reference No.</b>	<b>Quantity</b>	<b>Description</b>
4TXUUP1_4TXUUP1_147268~P	*		4TXUUP1 PARTS LIST
75010840#4TXUUP1~S	*		GENERAL ASSEMBLY OUTDOOR 1.5 TON
75010847#4TXUUP1~S	*		MODEL NOMENCLATURE

NO GRAPHIC AVAILABLE

75013702

REV  
A

**NO  
GRAPHIC  
AVAILABLE**

MODEL NUMBER DESCRIPTION  
OUTDOOR PRO SERIES MODEL NOMENCLATURE

75010847

REV.  
A

*Example Model Number:*  
**4TXU2018A10N0AA**  
1 - - - 5 - - - - 10 - - - - 15

**Digit 1 – Refrigerant**

4 = R-410A

**Digit 2 – Brand**

T = Outdoor Unit

**Digit 3 – Functional Type**

X = Heat Pump Inverter

**Digit 4 – Configuration Outdoor Unit**

U = Pro Series

**Digits 5, 6 – Efficiency Tier**

20 = Up to 20 SEER Pro Series

**Digits 7, 8 – Nominal Capacity (Btu/h x 1,000)**

18 = 18,000 Btu/h

24 = 24,000 Btu/h

30 = 30,000 Btu/h

48 = 48,000 Btu/h

**Digit 9 – Major Development Sequence**

A = First Development Sequence

**Digit 10 – Electric Power Supply**

1 = 208-230/60/1

**Digit 11 – Reserved for Future Use**

0 = Not Currently Used

**Digit 12 – Regional Markets Served**

N = North America Market

**Digit 13 – Reserved for Future Use**

0 = Not Currently Used

**Digit 14 – Minor Design Sequence**

A = First Design Sequence

**Digit 15 – Service Digit**

A = First Sequence

Part No.	Reference No.	Quantity	Description
75010847_4TXUUP1_319176~P	*		MODEL NOMENCLATURE PARTS LIST

MODEL NUMBER DESCRIPTION  
OUTDOOR PRO SERIES MODEL NOMENCLATURE

75010847

REV.  
A

*Example Model Number:*  
**4TXU2018A10N0AA**  
1 - - - - 5 - - - - 10 - - - - 15

**Digit 1 – Refrigerant**

4 = R-410A

**Digit 2 – Brand**

T = Outdoor Unit

**Digit 3 – Functional Type**

X = Heat Pump Inverter

**Digit 4 – Configuration Outdoor Unit**

U = Pro Series

**Digits 5, 6 – Efficiency Tier**

20 = Up to 20 SEER Pro Series

**Digits 7, 8 – Nominal Capacity (Btu/h x 1,000)**

18 = 18,000 Btu/h

24 = 24,000 Btu/h

30 = 30,000 Btu/h

48 = 48,000 Btu/h

**Digit 9 – Major Development Sequence**

A = First Development Sequence

**Digit 10 – Electric Power Supply**

1 = 208-230/60/1

**Digit 11 – Reserved for Future Use**

0 = Not Currently Used

**Digit 12 – Regional Markets Served**

N = North America Market

**Digit 13 – Reserved for Future Use**

0 = Not Currently Used

**Digit 14 – Minor Design Sequence**

A = First Design Sequence

**Digit 15 – Service Digit**

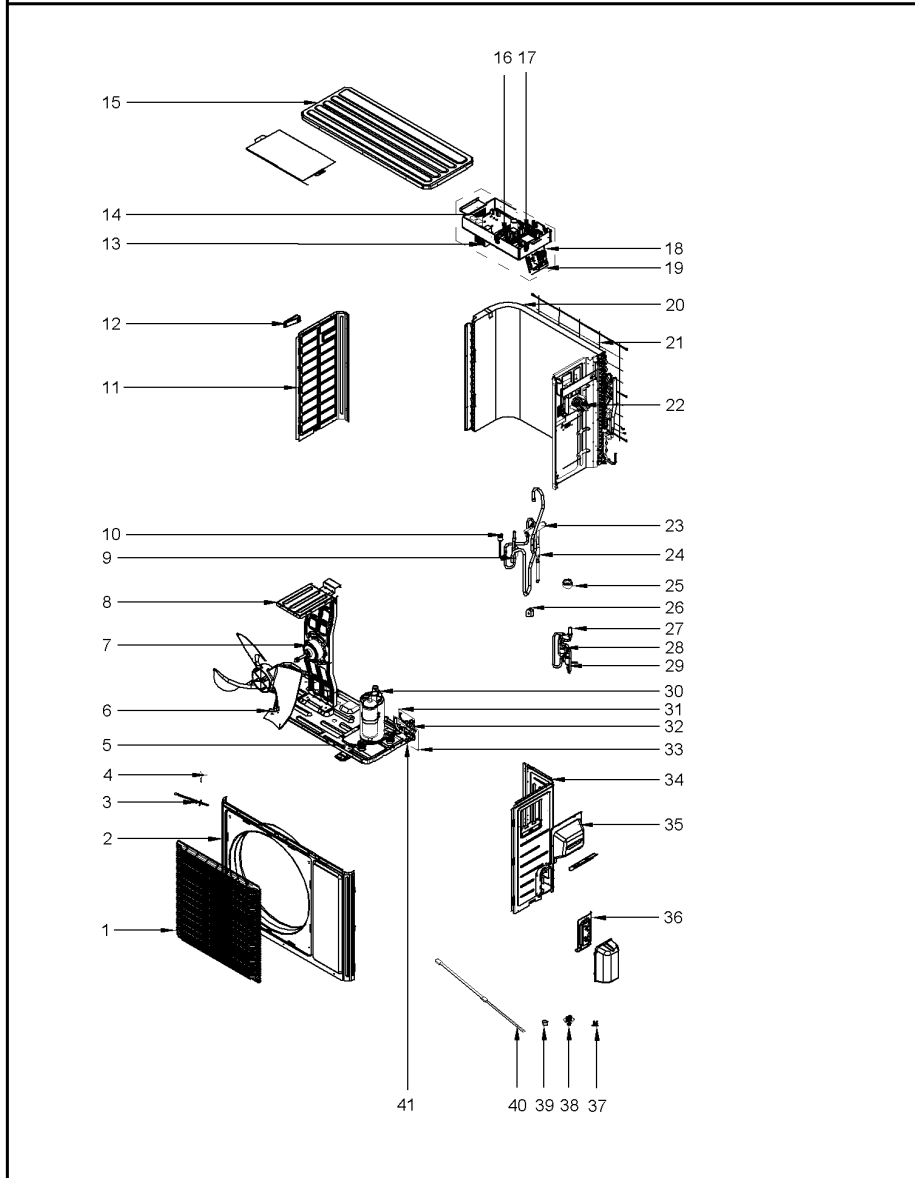
A = First Sequence

GENERAL ASSEMBLY

75010840

REV.  
A

OUTDOOR 1.5 TON HEAT PUMP INVERTER PRO SERIES  
TYPICAL ILLUSTRATION



Parts List Number :4TXUUP1#4TXUUP1

Model Number :4TXU2018A10N0AA

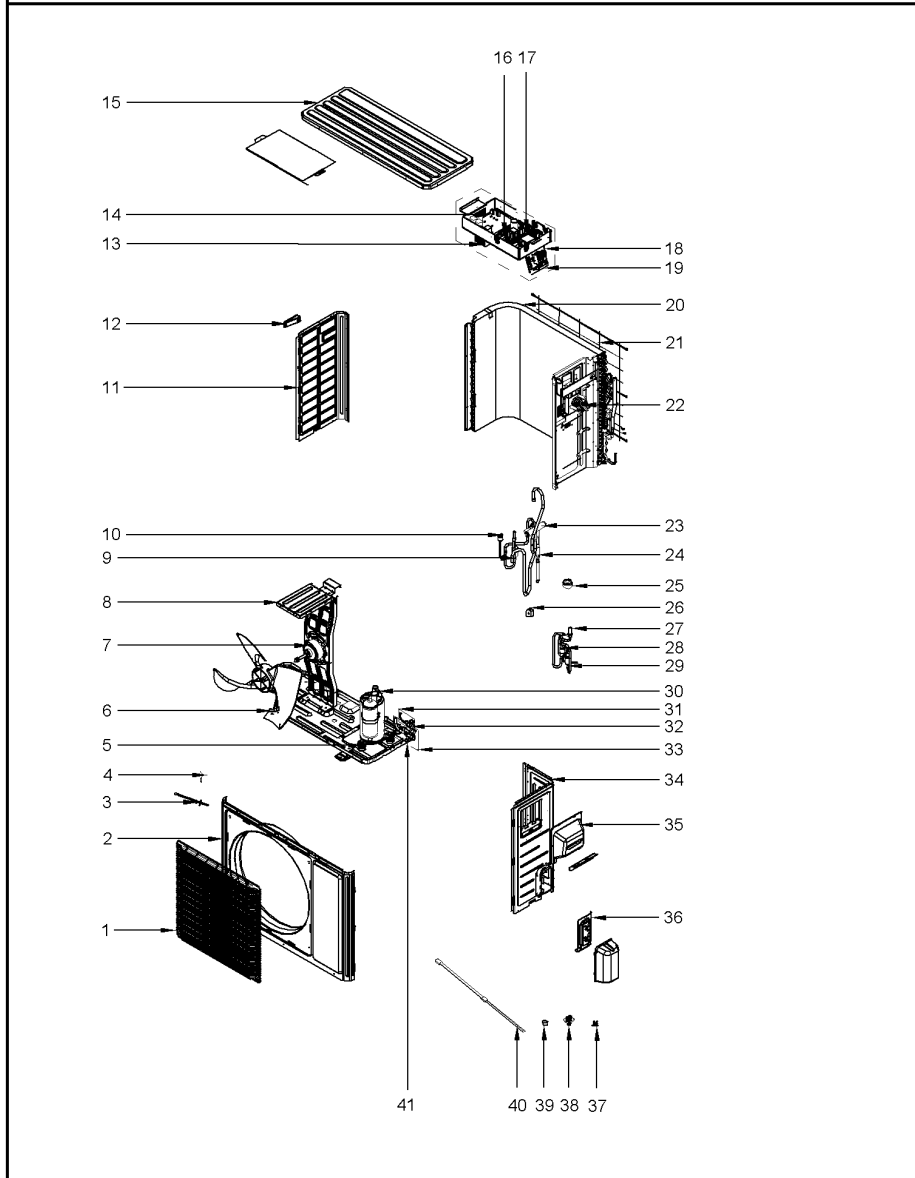
Part No.	Reference No.	Quantity	Description
75010840_4TXUUP1_373051~P	*		GENERAL ASSEMBLY OUTDOOR 1.5 TON PARTS LIST

GENERAL ASSEMBLY

75010840

REV.  
A

OUTDOOR 1.5 TON HEAT PUMP INVERTER PRO SERIES  
TYPICAL ILLUSTRATION



Parts List Number :4TXUUP1#4TXUUP1

Model Number :4TXU2018A10N0AA

Part No.	Reference No.	Quantity	Description
GRL01689	1	1	GRILLE; FRONT GRILL
PNL32165	2	1	PANEL; FRONT
HTR15662	3	1	HEATER; PAN SUB-ASSY
SEN02376	4	1	SENSOR; TEMPERATURE
GKT04751	5	3	GASKET; COMPRESSOR
FAN04378	6	1	FAN; AXIAL FLOW
MOT17024	7	1	MOTOR; FAN
SUP05936	8	1	SUPPORT; MOTOR, ASSY
BAF01419	9	1	BAFFLE; SILENCER
SWT03911	10	1	SWITCH; PRESSURE PROTECT
PNL29955	11	1	PANEL; FRONT SIDE
HDL01293	12	1	HANDLE;
EXC02633	13	1	EXCHANGER; RADIATOR
BRD05253	14	1	BOARD; MAIN COMMUNICATION BOARD
COV04192	15	1	COVER; TOP COVER
BRD05249	16	1	BOARD; FILTER
BRD05250	17	1	BOARD; INVERTER DRIVE BOARD
BRD05244	18	1	BOARD; TERMINAL
BRD05245	19	1	BOARD; TERMINAL
COL25496	20	1	COIL; GREE, 01125200189
GRL01688	21	1	GRILLE; REAR GRILL
CNT07395	22	1	CONTROL; INDUCTANCE, CHOKE LINE (PFC)
VAL11945	23	1	VALVE; 4-WAY, ASSY
SRA01030	24	1	STRAINER;
FTG01158	25	1	FITTING; ELECTRIC EXPAND VALVE FITTING, (STEPPER MOTOR)
COL16754	26	1	COIL; SOLNOID REVERSING VALVE
VAL11950	27	1	VALVE; ELECTRONIC EXPANSION, SUB-ASSY
SRA01034	28	1	STRAINER;
SRA01029	29	1	STRAINER;
COM11893	30	1	COMPRESSOR; AND FITTINGS
VAL11948	31	1	VALVE; CUT OFF, SUB-ASSY
VAL09362	32	1	VALVE; CUT-OFF LIQUID
VAL09918	33	1	VALVE; CUT-OFF SUB-ASSY (GAS)(07133060)
PLT05255	34	1	PLATE; RIGHT SIDE
HDL01298	35	1	HANDLE; ASSY
SUP05280	36	1	SUPPORT; VALVE SUPPORT ASSY
OLD00725	37	1	OVERLOAD; COMPRESSOR, PROTECTOR, EXTERNAL
FTG01288	38	1	FITTING; DRAINAGE JOINT
CAP01252	39	3	CAP; DRAINAGE HOLE
HTR15659	40	1	HEATER; ELECTRICAL
VAL10618	41	1	VALVE; 1/2 INCH