

<b>Part No.</b>	<b>Reference No.</b>	<b>Quantity</b>	<b>Description</b>
4TXMUP3_4TXMUP3_242970~P	*		4TXMUP3 PARTS LIST
75012180#4TXMUP3~S	*		GENERAL ASSEMBLY 3.5 TON
75012176#4TXMUP3~S	*		MODEL NOMENCLATURE
75012181#4TXMUP3~S	*		NOTES FOR PICKING PARTS LIST

NO GRAPHIC AVAILABLE

75013702

REV  
A

**NO  
GRAPHIC  
AVAILABLE**

MODEL NOMENCLATURE

75012176

REV.  
A

North America Outdoor Unit - Inverter Multiple Refrigerant Circuits

Model Number Example

**4 T X M 6 5 2 4 A 1 0 3 0 C A**  
**1 2 3 4 5 6 7 8 9 10 11 12 13 14 15**

Digit 1 = Refrigerant

4 = R-410a

Digit 2 = Brand Name

T = Mini Split Outdoor Unit

Digit 3 = Functional Type

X = Heat Pump Inverter

Y = Cooling Only Inverter

Digit 4 = Configuration Outdoor Unit

K = Single Refrigerant Circuit

M = Multiple Refrigerant Circuit

Digit 5 = Efficiency Tier

6 - 16+ SEER

8 - 18+ SEER

Digit 6 = Connection Type

5 - Flare

Digit 7,8 = Nominal Capacity  
(Btu/h x 1,000)

09 = 9,000 Btu/h

12 = 12,000 Btu/h

18 = 18,000 Btu/h

24 = 24,000 Btu/h

30 = 30,000 Btu/h

36 = 36,000 Btu/h

42 = 42,000 Btu/h

Digit 9 = Major Development Sequence

A = First Development Sequence

B = Second Development Sequence

C = Third Development Sequence

Digit 10 = Electric Power Supply Characteristics

1 = 208-230/60/1

Digit 11 = Reserved for Future Use

0 = Not currently used

Digit 12 = Number of Refrigerant Ports (Multi-split)

2 = 2 Port System

3 = 3 Port System

4 = 4 Port System

5 = 5 Port System

Digit 13 = Reserved for Future Use

0 = Not currently used

Digit 14 = Minor Design Sequence

A = First Design Sequence

B = Second Design Sequence

C = Third Design Sequence

Digit 15 = Service Digit

A = First Sequence

All orderable Service Parts are identified for this product.

Parts that are not identified, will not be available to order.

This is a typical illustration. The unit in the field may not appear exactly as shown.

Part No.	Reference No.	Quantity	Description
75012176_4TXMUP3_242971~P	*		MODEL NOMENCLATURE PARTS LIST

**MODEL NOMENCLATURE**

75012176

REV.  
A

North America Outdoor Unit - Inverter Multiple Refrigerant Circuits

Model Number Example

**4 T X M 6 5 2 4 A 1 0 3 0 C A**  
**1 2 3 4 5 6 7 8 9 10 11 12 13 14 15**

Digit 1 = Refrigerant

4 = R-410a

Digit 2 = Brand Name

T = Mini Split Outdoor Unit

Digit 3 = Functional Type

X = Heat Pump Inverter

Y = Cooling Only Inverter

Digit 4 = Configuration Outdoor Unit

K = Single Refrigerant Circuit

M = Multiple Refrigerant Circuit

Digit 5 = Efficiency Tier

6 - 16+ SEER

8 - 18+ SEER

Digit 6 = Connection Type

5 - Flare

Digit 7,8 = Nominal Capacity  
(Btu/h x 1,000)

09 = 9,000 Btu/h

12 = 12,000 Btu/h

18 = 18,000 Btu/h

24 = 24,000 Btu/h

30 = 30,000 Btu/h

36 = 36,000 Btu/h

42 = 42,000 Btu/h

Digit 9 = Major Development Sequence

A = First Development Sequence

B = Second Development Sequence

C = Third Development Sequence

Digit 10 = Electric Power Supply Characteristics

1 = 208-230/60/1

Digit 11 = Reserved for Future Use

0 = Not currently used

Digit 12 = Number of Refrigerant Ports (Multi-split)

2 = 2 Port System

3 = 3 Port System

4 = 4 Port System

5 = 5 Port System

Digit 13 = Reserved for Future Use

0 = Not currently used

Digit 14 = Minor Design Sequence

A = First Design Sequence

B = Second Design Sequence

C = Third Design Sequence

Digit 15 = Service Digit

A = First Sequence

All orderable Service Parts are identified for this product.

Parts that are not identified, will not be available to order.

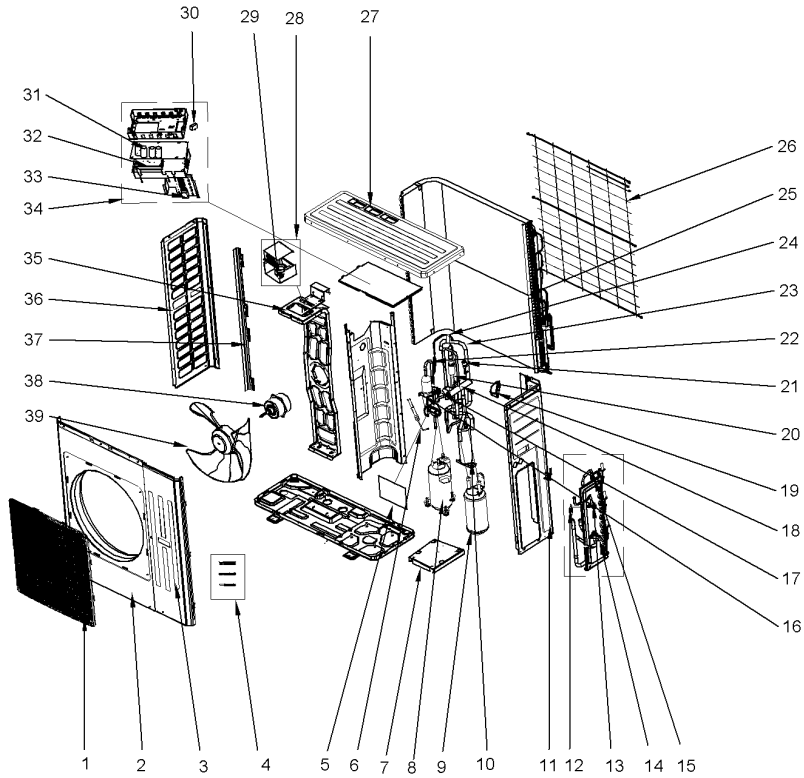
This is a typical illustration. The unit in the field may not appear exactly as shown.

GENERAL ASSEMBLY

75012180

REV.  
A

3.5 TON O.D. INVERTER MULTI REFRIGERANT CIRCUIT



All orderable Service Parts are identified for this product.

Parts that are not identified, will not be available to order.

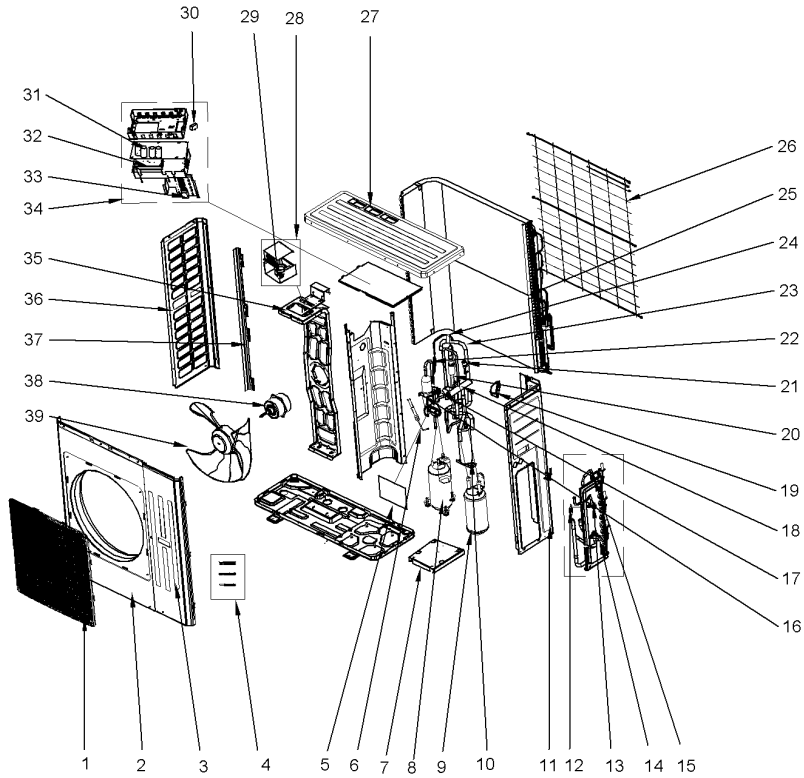
This is a typical illustration. The unit in the field may not appear exactly as shown.

Part No.	Reference No.	Quantity	Description
75012180_4TXMUP3_336099~P	*		GENERAL ASSEMBLY 3.5 TON PARTS LIST

GENERAL ASSEMBLY  
3.5 TON O.D. INVERTER MULTI REFRIGERANT CIRCUIT

75012180

REV.  
A



All orderable Service Parts are identified for this product.

Parts that are not identified, will not be available to order.

This is a typical illustration. The unit in the field may not appear exactly as shown.

Part No.	Reference No.	Quantity	Description
BOX03544	*	1	BOX; ELECTRIC BOX
BOX03546	*	1	BOX; ELECTRIC BOX SUB ASSY
BOX03547	*	1	BOX; ELECTRIC REACTOR
COV05504	*	1	COVER; COVER, REACTOR BOX
COV05505	*	1	COVER; ELECTRIC BOX COVER
HLD00760	*	1	HOLDER; TUBE CLIP
OLD00734	*	1	OVERLOAD; COMPRESSOR OVERLOAD PROTECTOR(EXTERNAL)
PAI00420	*	1	PAINT; CUSTOM PAINT MATCH FOR MINI SPLIT
PIP02673	*	1	PIPE; CONNECTIONG PIPE
PIP02674	*	1	PIPE; CONNECTIONG PIPE
PNL35514	*	1	PANEL; CONTROL BOX /AIR FLOW SEPARATOR
PNL35516	*	1	PANEL; SUB ASSEMBLY
SUP06373	*	1	SUPPORT; VALVE SUPPORT ASSY
GRL01968	1	1	GRILLE; FRONT
PNL31519	2	1	PANEL; CABINET OF AIR CONDITIONER
PLT05260	3	1	PLATE; FRONT SIDE SUB ASSY
SEN02064	4	1	SENSOR; PORT TEMPERATURE ASSY
COV05101	5	1	COVER;ELECTRIC BOX
SWT03651	6	1	SWITCH; PRESSURE PROTECT
COM12718	7	1	PLATE; COMPRESSOR MOUNTING PLATE SUB-ASSY
COM12717	8	1	COMPRESSOR; AND FITTINGS
SEP00225	9	1	SEPARATOR; GAS-LIQUID SEPARATOR SUB-ASSY
ACC00179	10	1	ACCUMULATOR; BIDIRECTION (07228741)
PNL29978	11	1	PANEL; RIGHT SIDE PLATE SUB-ASSEMBLY
SRA01013	12	1	STRAINER; A
VAL10707	13	1	VALVE; CUTOFF
VAL10706	14	1	VALVE; CUTOFF
SRA01013	15	1	STRAINER; A
SEP00224	16	1	SEPERATOR; OIL
SRA01013	17	1	STRAINER; A
VAL10708	18	1	VALVE; 4-WAY
HDL01102	19	2	HANDLE; HANDLE( 26235253)
VAL18426	20	1	VALVE; 4-WAY VALVE ASSY
SWT03652	21	1	SWITCH; PRESSURE PROTECT
TUB13217	22	1	TUBE; DISCHARGE TUBE SUB-ASSY
TUB13218	23	1	TUBE; INHALATION TUBE SUB ASSY
TUB13216	24	1	TUBE; CAPILLARY SUB-ASSY(OIL SEPARATOR)
CDS02337	25	1	COIL; CONDENSER ASSY
GRL01967	26	1	GRILLE; REAR
PNL29977	27	1	PANEL; TOP
CNT06857	28	1	CONTROL; ELECTRIC REACTOR SUB-ASSY
CNT06862	29	1	CONTROL;PFC INDUCTANCE
CPT02150	30	1	CAPACITOR; CBB61
BRD04472	31	1	BOARD; MAIN
EXC02411	32	1	EXCHANGER; RADIATOR
BRD03953	33	5	BOARD; TERMINAL BOARD( 420111041)
CNT06864	34	1	CONTROL; ELECTRIC BOX ASSY
MOT18354	35	1	MOTOR; SUPPORT ASSY
PLT05237	36	1	PLATE; LEFT SIDE PLATE OF AIR CONDITIONER
PLT05236	37	1	PLATE; CONDENSOR COOLING SUPPORT
MOT14676	38	1	MOTOR;FAN
FAN05493	39	1	FAN; AXIAL FLOW

PICKING CORRECT PARTS LIST

75012181

REV.  
A

4TXMUP3 IS FOR NORTH AMERICA (NA), 4TXMEUP1 IS FOR LAR

WHEN ENTERING ONE OF THE BELOW FOUR (4) MODEL NUMBERS INTO  
CATS OR, PARTS & SUPPLY, PLEASE PICK PARTS LIST 4TXMUP3 FOR  
ORDERING PARTS IN NORTH AMERICA (WINDCHILL/ORACLE), AND PICK  
PARTS LIST 4TXMEUP1 FOR ORDERING PARTS IN LATIN AMERICA (PEOPLE  
SOFT).

4TXM6524A1030CA  
4TXM6530A1040CA  
4TXM6536A1040CB  
4TXM6542A1050CB

All orderable Service Parts are identified for this product.

Parts that are not identified, will not be available to order.

This is a typical illustration. The unit in the field may not appear exactly as shown.

NOTES FOR PICKING PARTS LIST

Parts List Number :4TXMUP3#4TXMUP3

Model Number :4TXM6542A1050CB

Part No.	Reference No.	Quantity	Description
75012181_4TXMUP3_242974~P	*		NOTES FOR PICKING PARTS LIST

PICKING CORRECT PARTS LIST

75012181

REV.  
A

4TXMUP3 IS FOR NORTH AMERICA (NA), 4TXMEUP1 IS FOR LAR

WHEN ENTERING ONE OF THE BELOW FOUR (4) MODEL NUMBERS INTO  
CATS OR, PARTS & SUPPLY, PLEASE PICK PARTS LIST 4TXMUP3 FOR  
ORDERING PARTS IN NORTH AMERICA (WINDCHILL/ORACLE), AND PICK  
PARTS LIST 4TXMEUP1 FOR ORDERING PARTS IN LATIN AMERICA (PEOPLE  
SOFT).

4TXM6524A1030CA  
4TXM6530A1040CA  
4TXM6536A1040CB  
4TXM6542A1050CB

All orderable Service Parts are identified for this product.

Parts that are not identified, will not be available to order.

This is a typical illustration. The unit in the field may not appear exactly as shown.

