

Part No.	Reference No.	Quantity	Description
4TXMUP1_4TXMUP1_133360~P	*		4TXMUP1 PARTS LIST
75009916#4TXMUP1~S	*		ACCESSORIES
75009906#4TXMUP1~S	*		GENERAL ASSEMBLY
75009914#4TXMUP1~S	*		MODEL NOMENCLATURE

NO GRAPHIC AVAILABLE

75013702

REV
A

**NO
GRAPHIC
AVAILABLE**

MODEL NOMENCLATURE	75009914	REV A
Gree Outdoor Unit – Inverter Multiple Refrigerant Circuits		
Model Number Example 4 T X K 6 5 1 8 A 1 0 2 0 B A 1 2 3 4 5 6 7 8 9 10 11 12 13 14 15		
Digit 1 = Refrigerant 4 = R-410a Digit 2 = Brand Name T = Mini Split Outdoor Unit Digit 3 = Functional Type X = Heat Pump Inverter Y = Cooling Only Inverter Digit 4 = Configuration Outdoor Unit K = Single Refrigerant Circuit M = Multiple Refrigerant Circuit Digit 5 = Efficiency Tier 6 - 16+ SEER 8 - 18+ SEER Digit 6 = Connection Type 5 - Flare Digit 7,8 = Nominal Capacity (Btu/h × 1,000) 09 = 9,000 Btu/h 12 = 12,000 Btu/h 18 = 18,000 Btu/h 24 = 24,000 Btu/h 30 = 30,000 Btu/h 36 = 36,000 Btu/h 42 = 42,000 Btu/h	Digit 9 = Major Development Sequence A = First Development Sequence B = Second Development Sequence C = Third Development Sequence Digit 10 = Electric Power Supply Characteristics 1 = 208-230/60/1 Digit 11 = Reserved for Future Use 0 = Not currently used Digit 12 = Number of Refrigerant Parts (Multi-split) 2 = 2 Port System 3 = 3 Port System 4 = 4 Port System 5 = 5 Port System Digit 13 = Reserved for Future Use 0 = Not currently used Digit 14 = Minor Design Sequence A = First Design Sequence B = Second Design Sequence C = Third Design Sequence Digit 15 = Service Digit A = First Sequence	

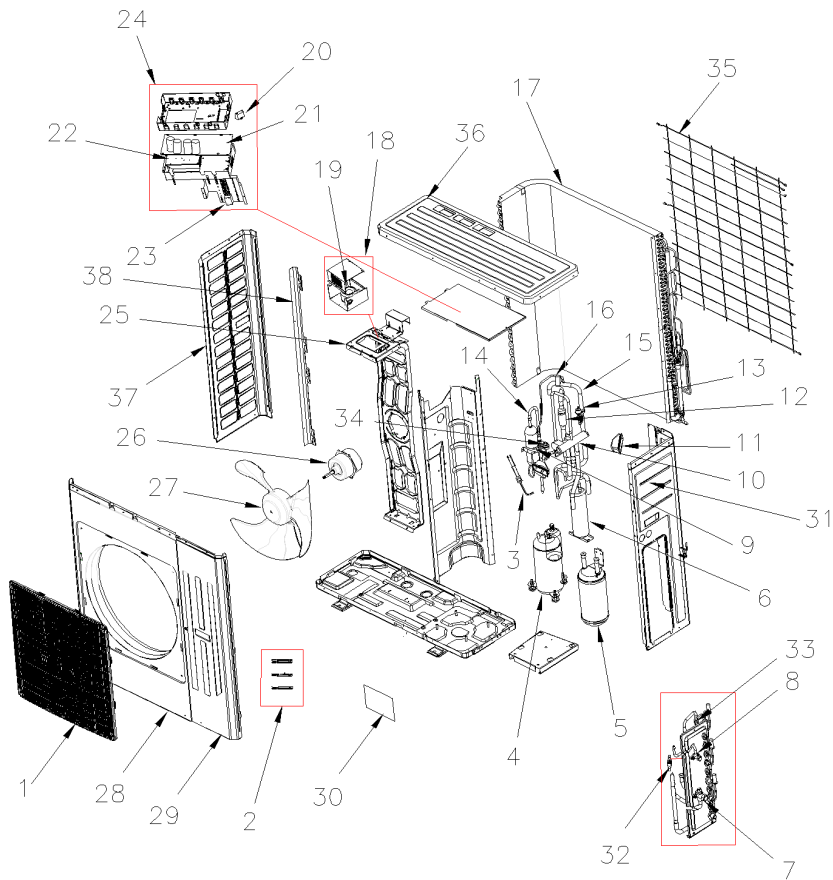
Part No.	Reference No.	Quantity	Description
75009914_4TXMUP1_133364~P	*		MODEL NOMENCLATURE PARTS LIST

MODEL NOMENCLATURE	75009914	REV A
Gree Outdoor Unit – Inverter Multiple Refrigerant Circuits		
Model Number Example 4 T X K 6 5 1 8 A 1 0 2 0 B A 1 2 3 4 5 6 7 8 9 10 11 12 13 14 15		
Digit 1 = Refrigerant 4 = R-410a Digit 2 = Brand Name T = Mini Split Outdoor Unit Digit 3 = Functional Type X = Heat Pump Inverter Y = Cooling Only Inverter Digit 4 = Configuration Outdoor Unit K = Single Refrigerant Circuit M = Multiple Refrigerant Circuit Digit 5 = Efficiency Tier 6 - 16+ SEER 8 - 18+ SEER Digit 6 = Connection Type 5 - Flare Digit 7,8 = Nominal Capacity (Btu/h × 1,000) 09 = 9,000 Btu/h 12 = 12,000 Btu/h 18 = 18,000 Btu/h 24 = 24,000 Btu/h 30 = 30,000 Btu/h 36 = 36,000 Btu/h 42 = 42,000 Btu/h	Digit 9 = Major Development Sequence A = First Development Sequence B = Second Development Sequence C = Third Development Sequence Digit 10 = Electric Power Supply Characteristics 1 = 208-230/60/1 Digit 11 = Reserved for Future Use 0 = Not currently used Digit 12 = Number of Refrigerant Parts (Multi-split) 2 = 2 Port System 3 = 3 Port System 4 = 4 Port System 5 = 5 Port System Digit 13 = Reserved for Future Use 0 = Not currently used Digit 14 = Minor Design Sequence A = First Design Sequence B = Second Design Sequence C = Third Design Sequence Digit 15 = Service Digit A = First Sequence	

GENERAL ASSEMBLY

75009906

REV
B



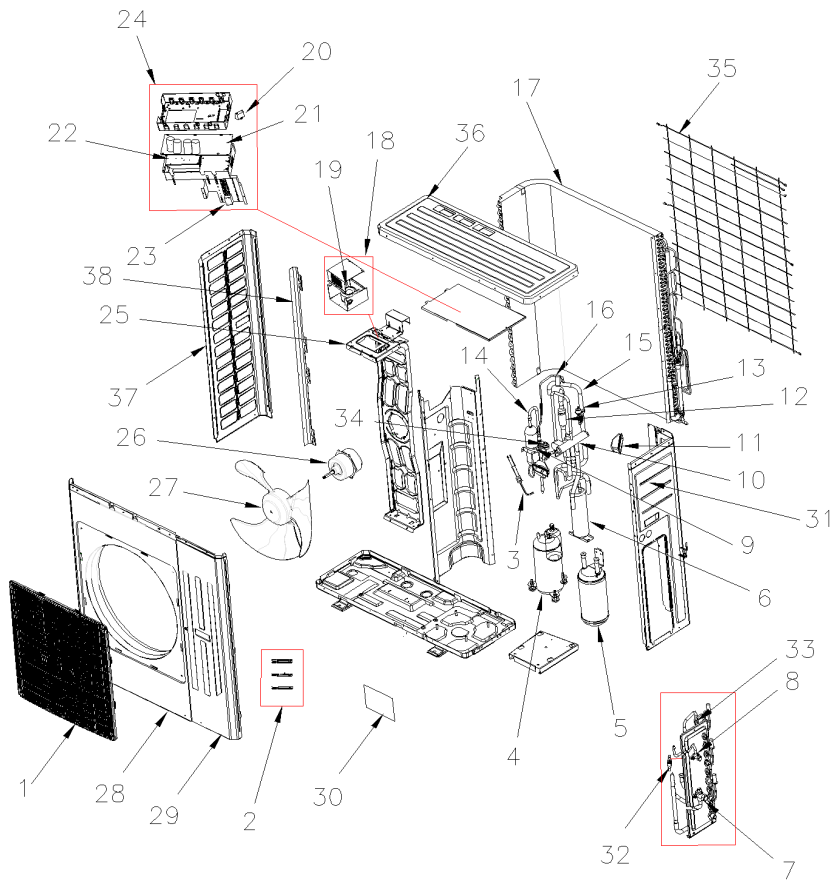
All orderable Service Parts are identified for this product.
Parts that are not identified, will not be available to order.
This is a typical illustration. The unit in the field may not appear exactly as shown.

Part No.	Reference No.	Quantity	Description
75009906_4TXMUP1_133361~P	*		GENERAL ASSEMBLY PARTS LIST

GENERAL ASSEMBLY

75009906

REV
B

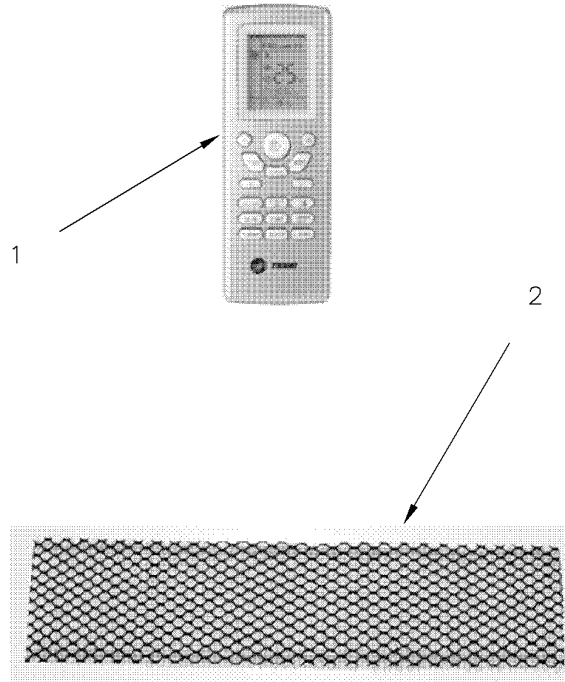


All orderable Service Parts are identified for this product.
Parts that are not identified, will not be available to order.
This is a typical illustration. The unit in the field may not appear exactly as shown.

Part No.	Reference No.	Quantity	Description
FTG01286	*	1	FITTING;DRAINAGE JOINT
OLD00734	*	1	OVERLOAD; COMPRESSOR OVERLOAD PROTECTOR(EXTERNAL)
PAI00420	*	1	PAINT; CUSTOM PAINT MATCH FOR MINI SPLIT
VAL12299	*	1	VALVE; ELECTRONIC EXPANSION VALVE ASSY
GRL01968	1	1	GRILLE; FRONT
SEN02064	2	1	SENSOR; PORT TEMPERATURE ASSY
SWT03651	3	1	SWITCH; PRESSURE PROTECT
COM10738	4	1	COMPRESSOR; ASSEMBLY AND FITTINGS
SEP00225	5	1	SEPARATOR; GAS-LIQUID SEPARATOR SUB-ASSY
ACC00179	6	1	ACCUMULATOR; BIDIRECTION (07228741)
VAL10707	7	1	VALVE; CUTOFF
VAL10706	8	1	VALVE; CUTOFF
SEP00224	9	1	SEPERATOR; OIL
VAL10708	10	1	VALVE; 4-WAY
HDL01102	11	2	HANDLE; HANDLE(26235253)
VAL10703	12	1	VALVE; ASSEMBLY, 4-WAY
SWT03652	13	1	SWITCH; PRESSURE PROTECT
TUB13217	14	1	TUBE; DISCHARGE TUBE SUB-ASSY
TUB13218	15	1	TUBE; INHALATION TUBE SUB ASSY
TUB13216	16	1	TUBE; CAPILLARY SUB-ASSY(OIL SEPARATOR)
CDS01648	17	1	CONDENSER; ASSEMBLY
CNT06857	18	1	CONTROL; ELECTRIC REACTOR SUB-ASSY
CNT06862	19	1	CONTROL;PFC INDUCTANCE
CPT02150	20	1	CAPACITOR; CBB61
BRD04472	21	1	BOARD; MAIN
EXC02411	22	1	EXCHANGER; RADIATOR
BRD03953	23	1	BOARD; TERMINAL BOARD(420111041)
CNT06864	24	1	CONTROL; ELECTRIC BOX ASSY
SUP06187	25	1	SUPPORT; MOTOR SUB-ASSY
MOT14676	26	1	MOTOR;FAN
FAN04746	27	1	FAN; AXIAL FLOW
PNL31519	28	1	PANEL; CABINET OF AIR CONDITIONER
PLT05260	29	1	PLATE; FRONT SIDE SUB ASSY
COV05101	30	1	COVER;ELECTRIC BOX
PNL29978	31	1	PANEL; RIGHT SIDE PLATE SUB-ASSEMBLY
SRA01013	32	1	STRAINER; A
SRA01013	33	1	STRAINER; A
SRA01013	34	1	STRAINER; A
GRL01967	35	1	GRILLE; REAR
PNL29977	36	1	PANEL; TOP
PLT05237	37	1	PLATE; LEFT SIDE PLATE OF AIR CONDITIONER
PLT05236	38	1	PLATE; CONDENSOR COOLING SUPPORT

G-NAR ACCESSORIES MULTI-SPLIT UNITS 75009916

REV
A



* NOT ILLUSTRATED
TYPICAL ILLUSTRATION

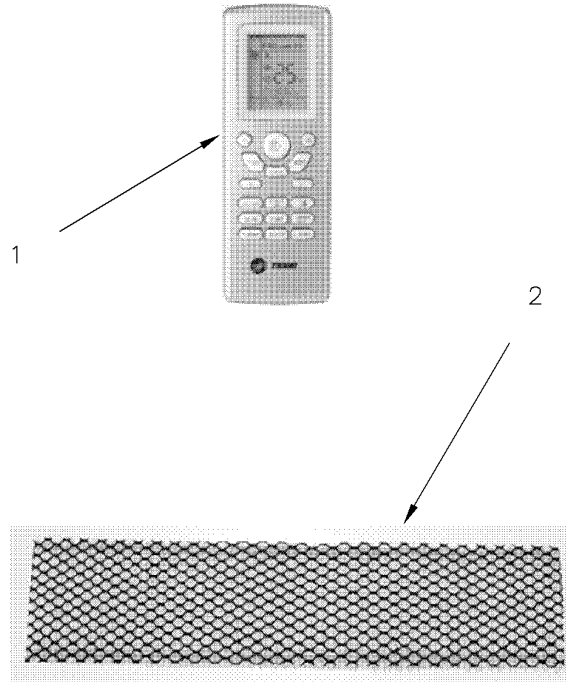
Parts List Number :4TXMUP1#4TXMUP1

Model Number :4TXM6542A1050BA

Part No.	Reference No.	Quantity	Description
75009916_4TXMUP1_133365~P	*		ACCESSORIES PARTS LIST

G-NAR ACCESSORIES MULTI-SPLIT UNITS 75009916

REV
A



* NOT ILLUSTRATED
TYPICAL ILLUSTRATION

Parts List Number :4TXMUP1#4TXMUP1

Model Number :4TXM6542A1050BA

Part No.	Reference No.	Quantity	Description
CNT06868	1	1	CONTROL; REMOTE CONTROLLER, TRANE BRAND
CNT06869	1	1	CONTROL; REMOTE CONTROLLER, AMERICAN STANDARD BRAND