

<b>Part No.</b>	<b>Reference No.</b>	<b>Quantity</b>	<b>Description</b>
4TXMUP3_4TXMUP3_242970~P	*		4TXMUP3 PARTS LIST
75012179#4TXMUP3~S	*		GENERAL ASSEMBLY 3.0 TON
75012176#4TXMUP3~S	*		MODEL NOMENCLATURE
75012181#4TXMUP3~S	*		NOTES FOR PICKING PARTS LIST

NO GRAPHIC AVAILABLE

75013702

REV  
A

**NO  
GRAPHIC  
AVAILABLE**

**MODEL NOMENCLATURE**

75012176

REV.  
A

North America Outdoor Unit - Inverter Multiple Refrigerant Circuits

Model Number Example

**4 T X M 6 5 2 4 A 1 0 3 0 C A**  
**1 2 3 4 5 6 7 8 9 10 11 12 13 14 15**

Digit 1 = Refrigerant

4 = R-410a

Digit 2 = Brand Name

T = Mini Split Outdoor Unit

Digit 3 = Functional Type

X = Heat Pump Inverter

Y = Cooling Only Inverter

Digit 4 = Configuration Outdoor Unit

K = Single Refrigerant Circuit

M = Multiple Refrigerant Circuit

Digit 5 = Efficiency Tier

6 - 16+ SEER

8 - 18+ SEER

Digit 6 = Connection Type

5 - Flare

Digit 7,8 = Nominal Capacity  
(Btu/h x 1,000)

09 = 9,000 Btu/h

12 = 12,000 Btu/h

18 = 18,000 Btu/h

24 = 24,000 Btu/h

30 = 30,000 Btu/h

36 = 36,000 Btu/h

42 = 42,000 Btu/h

Digit 9 = Major Development Sequence

A = First Development Sequence

B = Second Development Sequence

C = Third Development Sequence

Digit 10 = Electric Power Supply Characteristics

1 = 208-230/60/1

Digit 11 = Reserved for Future Use

0 = Not currently used

Digit 12 = Number of Refrigerant Ports (Multi-split)

2 = 2 Port System

3 = 3 Port System

4 = 4 Port System

5 = 5 Port System

Digit 13 = Reserved for Future Use

0 = Not currently used

Digit 14 = Minor Design Sequence

A = First Design Sequence

B = Second Design Sequence

C = Third Design Sequence

Digit 15 = Service Digit

A = First Sequence

All orderable Service Parts are identified for this product.

Parts that are not identified, will not be available to order.

This is a typical illustration. The unit in the field may not appear exactly as shown.

Part No.	Reference No.	Quantity	Description
75012176_4TXMUP3_242971~P	*		MODEL NOMENCLATURE PARTS LIST

**MODEL NOMENCLATURE**

75012176

REV.  
A

North America Outdoor Unit - Inverter Multiple Refrigerant Circuits

Model Number Example

**4 T X M 6 5 2 4 A 1 0 3 0 C A**  
**1 2 3 4 5 6 7 8 9 10 11 12 13 14 15**

Digit 1 = Refrigerant  
 4 = R-410a

Digit 2 = Brand Name  
 T = Mini Split Outdoor Unit

Digit 3 = Functional Type  
 X = Heat Pump Inverter  
 Y = Cooling Only Inverter

Digit 4 = Configuration Outdoor Unit  
 K = Single Refrigerant Circuit  
 M = Multiple Refrigerant Circuit

Digit 5 = Efficiency Tier  
 6 - 16+ SEER  
 8 - 18+ SEER

Digit 6 = Connection Type  
 5 - Flare

Digit 7,8 = Nominal Capacity  
 (Btu/h x 1,000)

09 = 9,000 Btu/h  
 12 = 12,000 Btu/h  
 18 = 18,000 Btu/h  
 24 = 24,000 Btu/h  
 30 = 30,000 Btu/h  
 36 = 36,000 Btu/h  
 42 = 42,000 Btu/h

Digit 9 = Major Development Sequence  
 A = First Development Sequence  
 B = Second Development Sequence  
 C = Third Development Sequence

Digit 10 = Electric Power Supply Characteristics  
 1 = 208-230/60/1

Digit 11 = Reserved for Future Use  
 0 = Not currently used

Digit 12 = Number of Refrigerant Ports (Multi-split)  
 2 = 2 Port System  
 3 = 3 Port System  
 4 = 4 Port System  
 5 = 5 Port System

Digit 13 = Reserved for Future Use  
 0 = Not currently used

Digit 14 = Minor Design Sequence  
 A = First Design Sequence  
 B = Second Design Sequence  
 C = Third Design Sequence

Digit 15 = Service Digit  
 A = First Sequence

All orderable Service Parts are identified for this product.

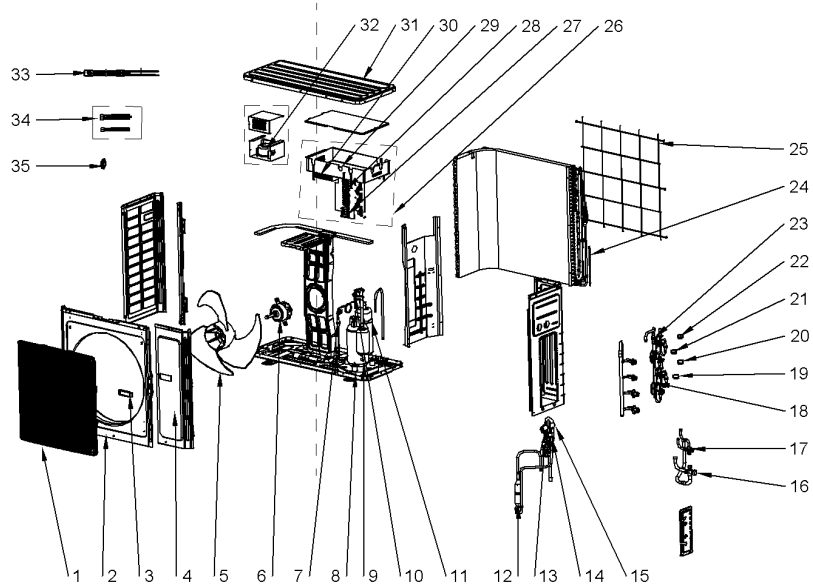
Parts that are not identified, will not be available to order.

This is a typical illustration. The unit in the field may not appear exactly as shown.

GENERAL ASSEMBLY  
3.0 TON O.D. INVERTER MULTI REFRIGERANT CIRCUIT

75012179

REV.  
A



All orderable Service Parts are identified for this product.

Parts that are not identified, will not be available to order.

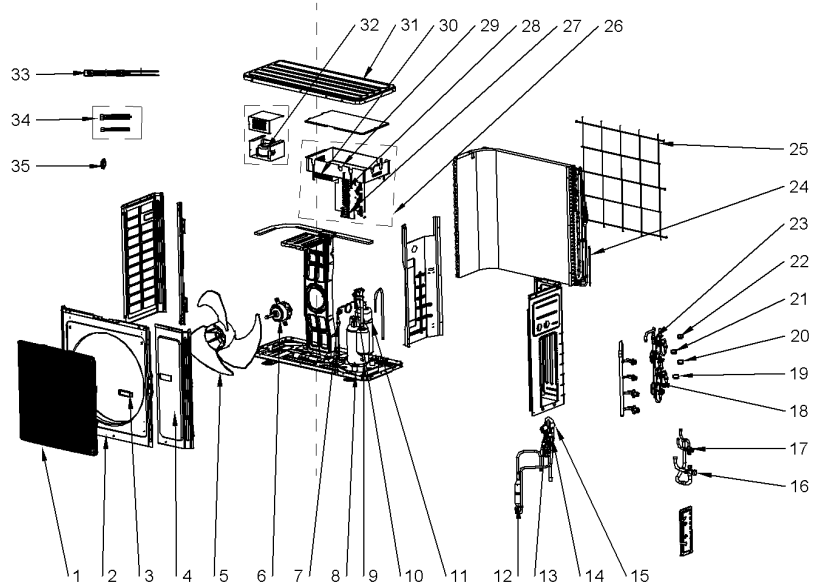
This is a typical illustration. The unit in the field may not appear exactly as shown.

Part No.	Reference No.	Quantity	Description
75012179_4TXMUP3_309536~P	*		GENERAL ASSEMBLY 3.0 TON PARTS LIST

GENERAL ASSEMBLY  
3.0 TON O.D. INVERTER MULTI REFRIGERANT CIRCUIT

75012179

REV.  
A



All orderable Service Parts are identified for this product.

Parts that are not identified, will not be available to order.

This is a typical illustration. The unit in the field may not appear exactly as shown.

Part No.	Reference No.	Quantity	Description
COV05505	*	1	COVER; ELECTRIC BOX COVER
OLD00734	*	1	OVERLOAD; COMPRESSOR OVERLOAD PROTECTOR(EXTERNAL)
PAI00420	*	1	PAINT; CUSTOM PAINT MATCH FOR MINI SPLIT
PNL35350	*	1	PANEL; SUB ASSEMBLY
WIR08757	*	1	WIRE; JUMPER
GRL01838	1	1	GRILL; FRONT
CAS02042	2	1	CASING; CABINET
HDL01103	3	2	HANDLE; LEFT HANDLE( 26235401)
PNL29824	4	1	PANEL; FRONT SIDE PLATE
FAN05027	5	1	FAN; AXIAL FLOW
MOT17278	6	1	MOTOR; BRUSHLESS DC FAN, 120W, 310V
SRA01013	7	3	STRAINER; A
GRM01071	8	3	GROMMET; MOUNTS
COM12716	9	1	COMPRESSOR; AND FITTINGS
SWT03652	10	1	SWITCH; PRESSURE PROTECT
SEP00244	11	1	SEPARATOR; GAS-LIQUID
SEP00295	12	1	SEPERATOR; OIL
SWT03735	13	1	SWITCH; PRESSURE PROTECT
SWT03651	14	1	SWITCH; PRESSURE PROTECT
VAL18425	15	1	VALVE; ASSY., 4 WAY
VAL10707	16	1	VALVE; CUTOFF
VAL10706	17	1	VALVE; CUTOFF
VAL12587	18	1	VALVE; ELECTRONIC EXPANSION ASSY
COL25738	19	1	COIL; EEV VALVE
COL25737	20	1	COIL; EEV VALVE
COL25736	21	1	COIL; EEV VALVE
COL25734	22	1	COIL; EEV VALVE
FLR07800	23	1	FILTER;
COL20394	24	1	COIL; CONDENSER ASSY
GRL02028	25	1	GRILL; REAR
CNT07039	26	1	CONTROL; ELECTRIC BOX ASSY
BRD04893	27	1	BOARD; TERMINAL
BRD03953	28	4	BOARD; TERMINAL BOARD( 420111041)
BRD04895	29	1	BOARD; MAIN
EXC02465	30	1	EXCHANGER; RADIATOR
COV05065	31	1	COVER; TOP
HTR11042	32	1	HEATER; PFC INDUCTANCE( 43120011)
HTR12715	33	1	HEATER; ELECTRICAL HEATER(COMPRESSOR)
SEN02188	34	1	SENSOR; SUB-ASSY
COL16754	35	1	COIL; SOLNOID REVERSING VALVE

PICKING CORRECT PARTS LIST

75012181

REV.  
A

4TXMUP3 IS FOR NORTH AMERICA (NA), 4TXMEUP1 IS FOR LAR

WHEN ENTERING ONE OF THE BELOW FOUR (4) MODEL NUMBERS INTO  
CATS OR, PARTS & SUPPLY, PLEASE PICK PARTS LIST 4TXMUP3 FOR  
ORDERING PARTS IN NORTH AMERICA (WINDCHILL/ORACLE), AND PICK  
PARTS LIST 4TXMEUP1 FOR ORDERING PARTS IN LATIN AMERICA (PEOPLE  
SOFT).

4TXM6524A1030CA  
4TXM6530A1040CA  
4TXM6536A1040CB  
4TXM6542A1050CB

All orderable Service Parts are identified for this product.

Parts that are not identified, will not be available to order.

This is a typical illustration. The unit in the field may not appear exactly as shown.

Part No.	Reference No.	Quantity	Description
75012181_4TXMUP3_242974~P	*		NOTES FOR PICKING PARTS LIST

PICKING CORRECT PARTS LIST

75012181

REV.  
A

4TXMUP3 IS FOR NORTH AMERICA (NA), 4TXMEUP1 IS FOR LAR

WHEN ENTERING ONE OF THE BELOW FOUR (4) MODEL NUMBERS INTO  
CATS OR, PARTS & SUPPLY, PLEASE PICK PARTS LIST 4TXMUP3 FOR  
ORDERING PARTS IN NORTH AMERICA (WINDCHILL/ORACLE), AND PICK  
PARTS LIST 4TXMEUP1 FOR ORDERING PARTS IN LATIN AMERICA (PEOPLE  
SOFT).

4TXM6524A1030CA  
4TXM6530A1040CA  
4TXM6536A1040CB  
4TXM6542A1050CB

All orderable Service Parts are identified for this product.

Parts that are not identified, will not be available to order.

This is a typical illustration. The unit in the field may not appear exactly as shown.

