

| <b>Part No.</b>          | <b>Reference No.</b> | <b>Quantity</b> | <b>Description</b>  |
|--------------------------|----------------------|-----------------|---|
| 4MXFUP1_4MXFUP1_151295~P | *                    |                 | 4MXFUP1 PARTS LIST  |
| 75010020#4MXFUP1~S       | *                    |                 | GENERAL ASSEMBLY OUTDOOR HEAT PUMP INVERTER<br>MULTIPLE REFRIGERANT CIRCUIT |
| 75010005#4MXFUP1~S       | *                    |                 | OUTDOOR MODEL NOMENCLATURE  |

NO GRAPHIC AVAILABLE

75013702

REV  
A

**NO  
GRAPHIC  
AVAILABLE**

|  |   |          |
|--|---|----------|
| MODEL NOMENCLATURE   | 75010005  | REV<br>A |
| G. Outdoor Unit – Inverter 1:1 & Multi-Split Systems   |   |          |
| <b>Model Number Example</b><br><b>4 T X K 6 5 1 2 A 1 0 N 0 B A</b><br><b>1 2 3 4 5 6 7 8 9 10 11 12 13 14 15</b>  |   |          |
| Digit 1 = Refrigerant<br>4 = R-410a<br><br>Digit 2 = Brand Name<br>T = Mini Split Outdoor Unit<br><br>Digit 3 = Functional Type<br>X = Heat Pump Inverter<br>Y = Cooling Only Inverter<br><br>Digit 4 = Configuration Outdoor Unit<br>K = Single Refrigerant Circuit<br>M = Multiple Refrigerant Circuit<br><br>Digit 5 = Efficiency Tier<br>6 - 16+ SEER<br>8 - 18+ SEER<br><br>Digit 6 = Connection Type<br>5 - Flare<br><br>Digit 7,8 = Nominal Capacity<br>(Btu/h x 1,000)<br>09 = 9,000 Btu/h<br>12 = 12,000 Btu/h<br>18 = 18,000 Btu/h<br>24 = 24,000 Btu/h<br>30 = 30,000 Btu/h<br>36 = 36,000 Btu/h<br>42 = 42,000 Btu/h | Digit 9 = Major Development Sequence<br>A = First Development Sequence<br>B = Second Development Sequence<br>C = Third Development Sequence<br><br>Digit 10 = Electric Power Supply Characteristics<br>1 = 208-230/60/1<br><br>Digit 11 = Reserved for Future Use<br>0 = Not currently used<br><br>Digit 12 = Regional Markets Served (1:1 Systems)<br>N = North America Market<br><br>Digit 12a = Number of Refrigerant Ports (Multi-split)<br>2 = 2 Port System<br>3 = 3 Port System<br>4 = 4 Port System<br>5 = 5 Port System<br><br>Digit 13 = Reserved for Future Use<br>0 = Not currently used<br><br>Digit 14 = Minor Design Sequence<br>A = First Design Sequence<br>B = Second Design Sequence<br><br>Digit 15 = Service Digit<br>A = First Sequence |          |

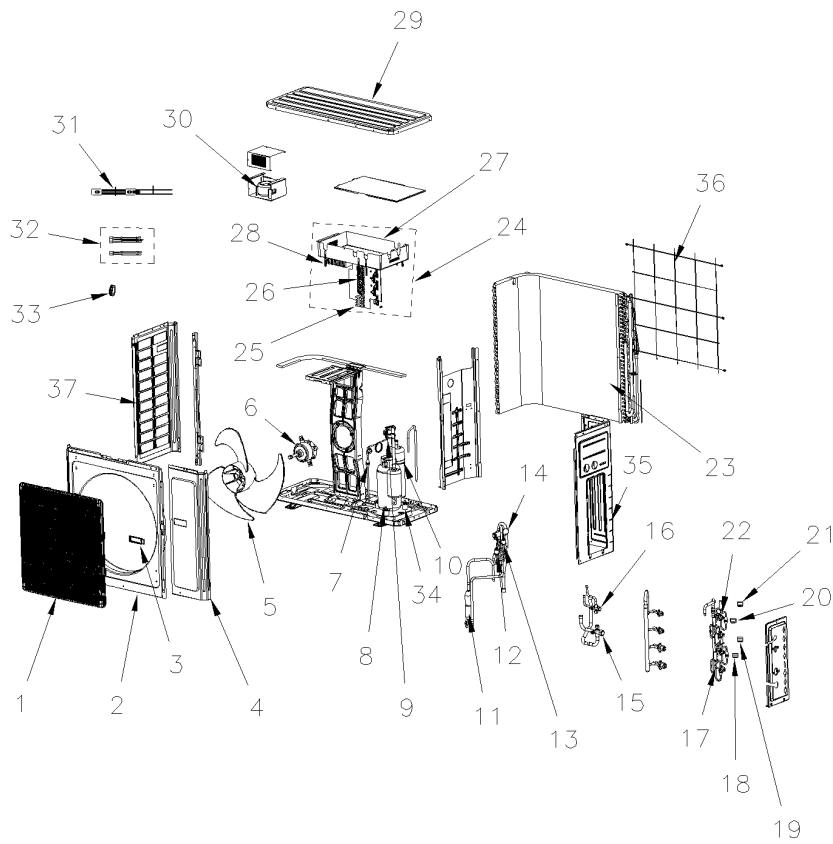
| Part No.                  | Reference No. | Quantity | Description                           |
|---------------------------|---------------|----------|---------------------------------------|
| 75010005_4MXFUP1_235527~P | *             |          | OUTDOOR MODEL NOMENCLATURE PARTS LIST |

|  |   |          |
|--|---|----------|
| MODEL NOMENCLATURE   | 75010005  | REV<br>A |
| G. Outdoor Unit – Inverter 1:1 & Multi-Split Systems   |   |          |
| <b>Model Number Example</b><br><b>4 T X K 6 5 1 2 A 1 0 N 0 B A</b><br><b>1 2 3 4 5 6 7 8 9 10 11 12 13 14 15</b>  |   |          |
| Digit 1 = Refrigerant<br>4 = R-410a<br><br>Digit 2 = Brand Name<br>T = Mini Split Outdoor Unit<br><br>Digit 3 = Functional Type<br>X = Heat Pump Inverter<br>Y = Cooling Only Inverter<br><br>Digit 4 = Configuration Outdoor Unit<br>K = Single Refrigerant Circuit<br>M = Multiple Refrigerant Circuit<br><br>Digit 5 = Efficiency Tier<br><br>6 - 16+ SEER<br>8 - 18+ SEER<br><br>Digit 6 = Connection Type<br>5 - Flare<br><br>Digit 7,8 = Nominal Capacity<br>(Btu/h × 1,000)<br><br>09 = 9,000 Btu/h<br>12 = 12,000 Btu/h<br>18 = 18,000 Btu/h<br>24 = 24,000 Btu/h<br>30 = 30,000 Btu/h<br>36 = 36,000 Btu/h<br>42 = 42,000 Btu/h | Digit 9 = Major Development Sequence<br>A = First Development Sequence<br>B = Second Development Sequence<br>C = Third Development Sequence<br><br>Digit 10 = Electric Power Supply Characteristics<br>1 = 208-230/60/1<br><br>Digit 11 = Reserved for Future Use<br>0 = Not currently used<br><br>Digit 12 = Regional Markets Served (1:1 Systems)<br>N = North America Market<br><br>Digit 12a = Number of Refrigerant Ports (Multi-split)<br><br>2 = 2 Port System<br>3 = 3 Port System<br>4 = 4 Port System<br>5 = 5 Port System<br><br>Digit 13 = Reserved for Future Use<br>0 = Not currently used<br><br>Digit 14 = Minor Design Sequence<br>A = First Design Sequence<br>B = Second Design Sequence<br><br>Digit 15 = Service Digit<br>A = First Sequence |          |

GENERAL ASSEMBLY

75010020

REV  
B



All orderable Service Parts are identified for this product.  
Parts that are not identified, will not be available to order.  
This is a typical illustration. The unit in the field may not appear exactly as shown.

Parts List Number :4MXFUP1#4MXFUP1

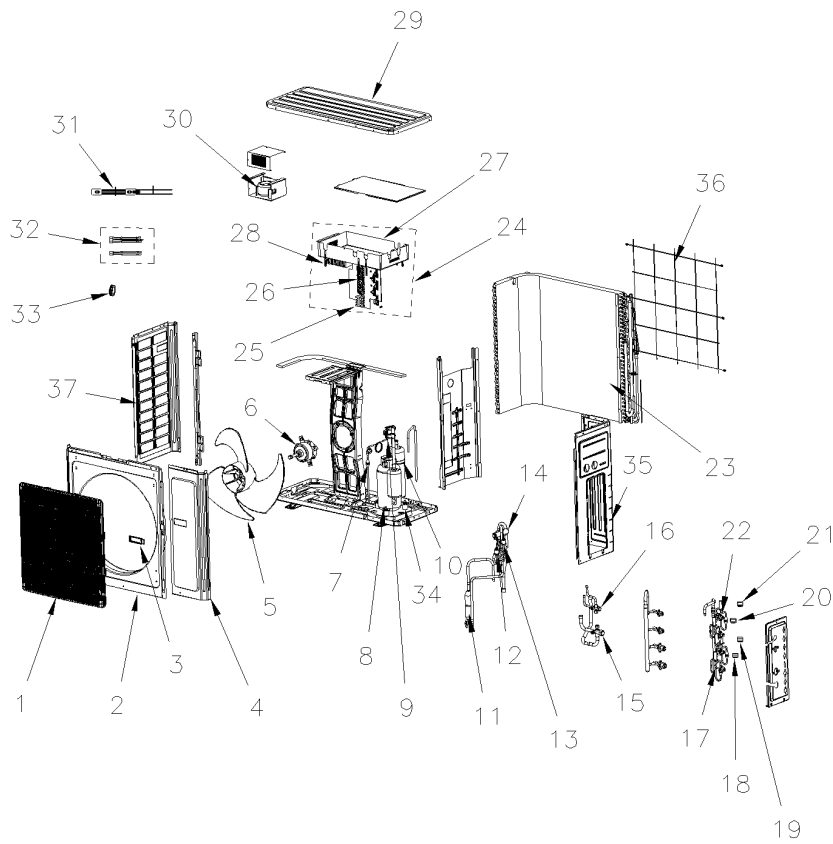
Model Number :4TXM6536A1040BA

| Part No.                  | Reference No. | Quantity | Description  |
|---------------------------|---------------|----------|--|
| 75010020_4MXFUP1_235529~P | *             |          | GENERAL ASSEMBLY OUTDOOR HEAT PUMP INVERTER<br>MULTIPLE REFRIGERANT CIRCUIT PARTS LIST |

GENERAL ASSEMBLY

75010020

REV  
B



All orderable Service Parts are identified for this product.  
Parts that are not identified, will not be available to order.  
This is a typical illustration. The unit in the field may not appear exactly as shown.

Parts List Number :4MXFUP1#4MXFUP1

Model Number :4TXM6536A1040BA

| Part No. | Reference No. | Quantity | Description                                       |
|----------|---------------|----------|---|
| OLD00734 | *             | 1        | OVERLOAD; COMPRESSOR OVERLOAD PROTECTOR(EXTERNAL) |
| PAI00420 | *             | 1        | PAINT; CUSTOM PAINT MATCH FOR MINI SPLIT          |
| GRL01838 | 1             | 1        | GRILL; FRONT                                      |
| CAS02042 | 2             | 1        | CASING; CABINET                                   |
| HDL01103 | 3             | 1        | HANDLE; LEFT HANDLE( 26235401)                    |
| PNL29824 | 4             | 1        | PANEL; FRONT SIDE PLATE                           |
| FAN05027 | 5             | 1        | FAN; AXIAL FLOW                                   |
| MOT17278 | 6             | 1        | MOTOR; BRUSHLESS DC FAN, 120W, 310V               |
| SRA01013 | 7             | 1        | STRAINER; A                                       |
| COM10736 | 8             | 1        | COMPRESSOR; ASSEMBLY AND FITTINGS                 |
| SWT03652 | 9             | 1        | SWITCH; PRESSURE PROTECT                          |
| SEP00244 | 10            | 1        | SEPARATOR; GAS-LIQUID                             |
| SEP00295 | 11            | 1        | SEPERATOR; OIL                                    |
| SWT03735 | 12            | 1        | SWITCH; PRESSURE PROTECT                          |
| SWT03651 | 13            | 1        | SWITCH; PRESSURE PROTECT                          |
| VAL11174 | 14            | 1        | VALVE; 4-WAY                                      |
| VAL10707 | 15            | 1        | VALVE; CUTOFF                                     |
| VAL10706 | 16            | 1        | VALVE; CUTOFF                                     |
| VAL10704 | 17            | 4        | VALVE; ELECTRONIC EXPANSION                       |
| VAL11175 | 18            | 1        | VALVE; ELECTRIC EXPAND FITTING                    |
| VAL11176 | 19            | 1        | VALVE; ELECTRIC EXPAND FITTING                    |
| VAL11177 | 20            | 1        | VALVE; ELECTRIC EXPAND FITTING                    |
| VAL11178 | 21            | 1        | VALVE; ELECTRIC EXPAND FITTING                    |
| FLR07800 | 22            | 1        | FILTER;   |
| COL20394 | 23            | 1        | COIL; CONDENSER ASSY                              |
| CNT07039 | 24            | 1        | CONTROL; ELECTRIC BOX ASSY                        |
| BRD04893 | 25            | 1        | BOARD; TERMINAL                                   |
| BRD03953 | 26            | 4        | BOARD; TERMINAL BOARD( 420111041)                 |
| BRD04895 | 27            | 4        | BOARD; MAIN                                       |
| EXC02465 | 28            | 4        | EXCHANGER; RADIATOR                               |
| COV05065 | 29            | 1        | COVER; TOP  |
| HTR11042 | 30            | 1        | HEATER; PFC INDUCTANCE( 43120011)                 |
| HTR12715 | 31            | 1        | HEATER; ELECTRICAL HEATER(COMPRESSOR)             |
| SEN02188 | 32            | 1        | SENSOR; SUB-ASSY                                  |
| COL16754 | 33            | 1        | COIL; SOLNOID REVERSING VALVE                     |
| GRM01071 | 34            | 3        | GROMMET; MOUNTS                                   |
| PLT05943 | 35            | 1        | PLATE; RIGHT SIDE                                 |
| GRL02028 | 36            | 1        | GRILL; REAR                                       |
| PNL29543 | 37            | 1        | PANEL; LEFT SIDE PLATE                            |