

Part No.	Reference No.	Quantity	Description
4TXMUP3_4TXMUP3_242970~P	*		4TXMUP3 PARTS LIST
75012178#4TXMUP3~S	*		GENERAL ASSEMBLY 2.5 TON
75012176#4TXMUP3~S	*		MODEL NOMENCLATURE
75012181#4TXMUP3~S	*		NOTES FOR PICKING PARTS LIST

NO GRAPHIC AVAILABLE

75013702

REV
A

**NO
GRAPHIC
AVAILABLE**

MODEL NOMENCLATURE

75012176

REV.
A

North America Outdoor Unit - Inverter Multiple Refrigerant Circuits

Model Number Example

4 T X M 6 5 2 4 A 1 0 3 0 C A
1 2 3 4 5 6 7 8 9 10 11 12 13 14 15

Digit 1 = Refrigerant

4 = R-410a

Digit 2 = Brand Name

T = Mini Split Outdoor Unit

Digit 3 = Functional Type

X = Heat Pump Inverter

Y = Cooling Only Inverter

Digit 4 = Configuration Outdoor Unit

K = Single Refrigerant Circuit

M = Multiple Refrigerant Circuit

Digit 5 = Efficiency Tier

6 - 16+ SEER

8 - 18+ SEER

Digit 6 = Connection Type

5 - Flare

Digit 7,8 = Nominal Capacity
(Btu/h x 1,000)

09 = 9,000 Btu/h

12 = 12,000 Btu/h

18 = 18,000 Btu/h

24 = 24,000 Btu/h

30 = 30,000 Btu/h

36 = 36,000 Btu/h

42 = 42,000 Btu/h

Digit 9 = Major Development Sequence

A = First Development Sequence

B = Second Development Sequence

C = Third Development Sequence

Digit 10 = Electric Power Supply Characteristics

1 = 208-230/60/1

Digit 11 = Reserved for Future Use

0 = Not currently used

Digit 12 = Number of Refrigerant Ports (Multi-split)

2 = 2 Port System

3 = 3 Port System

4 = 4 Port System

5 = 5 Port System

Digit 13 = Reserved for Future Use

0 = Not currently used

Digit 14 = Minor Design Sequence

A = First Design Sequence

B = Second Design Sequence

C = Third Design Sequence

Digit 15 = Service Digit

A = First Sequence

All orderable Service Parts are identified for this product.

Parts that are not identified, will not be available to order.

This is a typical illustration. The unit in the field may not appear exactly as shown.

Part No.	Reference No.	Quantity	Description
75012176_4TXMUP3_242971~P	*		MODEL NOMENCLATURE PARTS LIST

MODEL NOMENCLATURE

75012176

REV.
A

North America Outdoor Unit - Inverter Multiple Refrigerant Circuits

Model Number Example

4 T X M 6 5 2 4 A 1 0 3 0 C A
1 2 3 4 5 6 7 8 9 10 11 12 13 14 15

Digit 1 = Refrigerant

4 = R-410a

Digit 2 = Brand Name

T = Mini Split Outdoor Unit

Digit 3 = Functional Type

X = Heat Pump Inverter

Y = Cooling Only Inverter

Digit 4 = Configuration Outdoor Unit

K = Single Refrigerant Circuit

M = Multiple Refrigerant Circuit

Digit 5 = Efficiency Tier

6 - 16+ SEER

8 - 18+ SEER

Digit 6 = Connection Type

5 - Flare

Digit 7,8 = Nominal Capacity
(Btu/h x 1,000)

09 = 9,000 Btu/h

12 = 12,000 Btu/h

18 = 18,000 Btu/h

24 = 24,000 Btu/h

30 = 30,000 Btu/h

36 = 36,000 Btu/h

42 = 42,000 Btu/h

Digit 9 = Major Development Sequence

A = First Development Sequence

B = Second Development Sequence

C = Third Development Sequence

Digit 10 = Electric Power Supply Characteristics

1 = 208-230/60/1

Digit 11 = Reserved for Future Use

0 = Not currently used

Digit 12 = Number of Refrigerant Ports (Multi-split)

2 = 2 Port System

3 = 3 Port System

4 = 4 Port System

5 = 5 Port System

Digit 13 = Reserved for Future Use

0 = Not currently used

Digit 14 = Minor Design Sequence

A = First Design Sequence

B = Second Design Sequence

C = Third Design Sequence

Digit 15 = Service Digit

A = First Sequence

All orderable Service Parts are identified for this product.

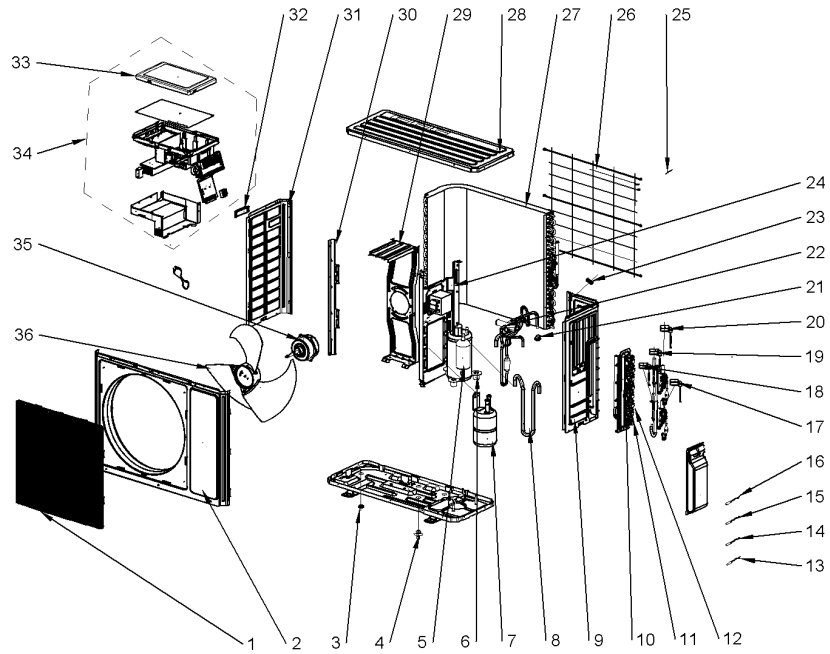
Parts that are not identified, will not be available to order.

This is a typical illustration. The unit in the field may not appear exactly as shown.

GENERAL ASSEMBLY
2.5 TON O.D. INVERTER MULTI REFRIGERANT CIRCUIT

75012178

REV.
A



All orderable Service Parts are identified for this product.

Parts that are not identified, will not be available to order.

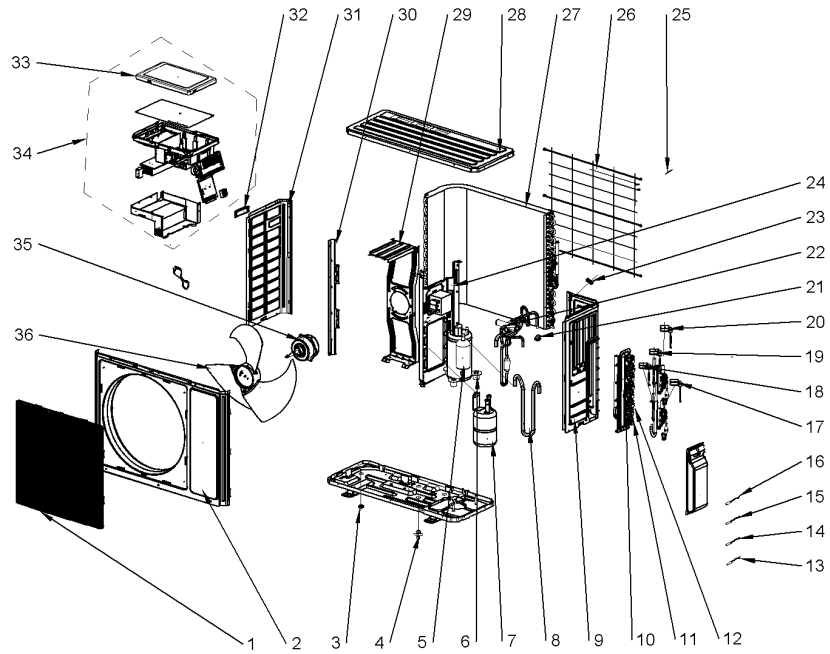
This is a typical illustration. The unit in the field may not appear exactly as shown.

Part No.	Reference No.	Quantity	Description
75012178_4TXMUP3_342428~P	*		GENERAL ASSEMBLY 2.5 TON PARTS LIST

GENERAL ASSEMBLY
2.5 TON O.D. INVERTER MULTI REFRIGERANT CIRCUIT

75012178

REV.
A



All orderable Service Parts are identified for this product.

Parts that are not identified, will not be available to order.

This is a typical illustration. The unit in the field may not appear exactly as shown.

Part No.	Reference No.	Quantity	Description
BOX03545	*	1	BOX; ELECTRIC BOX (METAL)
BRD03952	*	1	BOARD; TERMINAL BOARD(42010178)
BRD03953	*	4	BOARD; TERMINAL BOARD(420111041)
BRD04473	*	1	BOARD; MAIN
CPT02537	*	1	CAPACITOR; CBB61S
HTR16090	*	1	HEATER; COMPRESSOR
OLD00734	*	1	OVERLOAD; COMPRESSOR OVERLOAD PROTECTOR(EXTERNAL)
PAI00420	*	1	PAINT; CUSTOM PAINT MATCH FOR MINI SPLIT
PNL35515	*	1	PANEL; SUB ASSEMBLY
SWT03650	*	1	SWITCH; PRESSURE PROTECT
VAL10709	*	1	VALVE; 4-WAY
GRL01689	1	1	GRILLE; FRONT GRILL
CAS02041	2	1	CASING; CABINET
CAP01252	3	3	CAP; DRAINAGE HOLE
CAP01252	4	1	CAP; DRAINAGE HOLE
COM12716	5	1	COMPRESSOR; AND FITTINGS
GRM01071	6	3	GROMMET; MOUNTS
SEP00106	7	1	SEPARATOR; GAS-LIQUID SEPARATOR ASSY(07225017)
TUB13214	8	1	TUBE; INHALATION TUBE
PLT05424	9	1	PLATE; RIGHT SIDE
SUP06188	10	1	SUPPORT; VALVE ASSY
VAL09988	11	4	VALVE; CUT-OFF VALVE
VAL09362	12	4	VALVE; CUT-OFF LIQUID
SEN02067	13	1	SENSOR; TEMPERATURE
SEN02066	14	1	SENSOR; TEMPERATURE
SEN02065	15	1	SENSOR; TEMPERATURE
SEN02655	16	1	SENSOR; TEMPERATURE SENSOR
FTG01269	17	1	FITTING; ELECTRIC EXPAND VALVE FITTING
FTG01268	18	1	FITTING; ELECTRIC EXPAND VALVE FITTING
FTG01267	19	1	FITTING; ELECTRIC EXPAND VALVE FITTING
FTG01266	20	1	FITTING; ELECTRIC EXPAND VALVE FITTING
COL16754	21	1	COIL; SOLNOID REVERSING VALVE
VAL12584	22	1	VALVE; 4-WAY ASSY
CMP01443	23	1	CLAMP; WIRING
PNL35045	24	1	PANEL; CLAPBOARD ASSY
SEN01804	25	1	SENSOR; TEMPERATURE (INCLUDES; DISCHARGE TUBE SENSOR (50K), COIL TUBE SENSOR (20K) AND OUTDOOR AMBIENT SENSOR (15K))
GRL01688	26	1	GRILLE; REAR GRILL
CDS02336	27	1	COIL; CONDENSER ASSY
COV04192	28	1	COVER; TOP COVER
SUP05585	29	1	SUPPORT; MOTOR SUPPORT SUB-ASSY
PLT05419	30	1	PLATE; CONDENSER SUPPORT
PNL29955	31	1	PANEL; FRONT SIDE
HDL01293	32	1	HANDLE;
COV05069	33	1	COVER; ELECTRICAL
CNT06858	34	1	CONTROL; ELECTRIC BOX ASSY
MOT14675	35	1	MOTOR; FAN MOTOR
FAN04378	36	1	FAN; AXIAL FLOW

PICKING CORRECT PARTS LIST

75012181

REV.
A

4TXMUP3 IS FOR NORTH AMERICA (NA), 4TXMEUP1 IS FOR LAR

WHEN ENTERING ONE OF THE BELOW FOUR (4) MODEL NUMBERS INTO
CATS OR, PARTS & SUPPLY, PLEASE PICK PARTS LIST 4TXMUP3 FOR
ORDERING PARTS IN NORTH AMERICA (WINDCHILL/ORACLE), AND PICK
PARTS LIST 4TXMEUP1 FOR ORDERING PARTS IN LATIN AMERICA (PEOPLE
SOFT).

4TXM6524A1030CA
4TXM6530A1040CA
4TXM6536A1040CB
4TXM6542A1050CB

All orderable Service Parts are identified for this product.

Parts that are not identified, will not be available to order.

This is a typical illustration. The unit in the field may not appear exactly as shown.

Part No.	Reference No.	Quantity	Description
75012181_4TXMUP3_242974~P	*		NOTES FOR PICKING PARTS LIST

PICKING CORRECT PARTS LIST

75012181

REV.
A

4TXMUP3 IS FOR NORTH AMERICA (NA), 4TXMEUP1 IS FOR LAR

WHEN ENTERING ONE OF THE BELOW FOUR (4) MODEL NUMBERS INTO
CATS OR, PARTS & SUPPLY, PLEASE PICK PARTS LIST 4TXMUP3 FOR
ORDERING PARTS IN NORTH AMERICA (WINDCHILL/ORACLE), AND PICK
PARTS LIST 4TXMEUP1 FOR ORDERING PARTS IN LATIN AMERICA (PEOPLE
SOFT).

4TXM6524A1030CA
4TXM6530A1040CA
4TXM6536A1040CB
4TXM6542A1050CB

All orderable Service Parts are identified for this product.

Parts that are not identified, will not be available to order.

This is a typical illustration. The unit in the field may not appear exactly as shown.

