

Part No.	Reference No.	Quantity	Description
4TXMUP1_4TXMUP1_133360~P	*		4TXMUP1 PARTS LIST
75009916#4TXMUP1~S	*		ACCESSORIES
75009905#4TXMUP1~S	*		GENERAL ASSEMBLY
75009914#4TXMUP1~S	*		MODEL NOMENCLATURE

NO GRAPHIC AVAILABLE

75013702

REV
A

**NO
GRAPHIC
AVAILABLE**

MODEL NOMENCLATURE	75009914	REV A
Gree Outdoor Unit – Inverter Multiple Refrigerant Circuits		
Model Number Example		
4 T X K 6 5 1 8 A 1 0 2 0 B A		
1 2 3 4 5 6 7 8 9 10 11 12 13 14 15		
Digit 1 = Refrigerant 4 = R-410a	Digit 9 = Major Development Sequence A = First Development Sequence B = Second Development Sequence C = Third Development Sequence	
Digit 2 = Brand Name T = Mini Split Outdoor Unit	Digit 10 = Electric Power Supply Characteristics 1 = 208-230/60/1	
Digit 3 = Functional Type X = Heat Pump Inverter Y = Cooling Only Inverter	Digit 11 = Reserved for Future Use 0 = Not currently used	
Digit 4 = Configuration Outdoor Unit K = Single Refrigerant Circuit M = Multiple Refrigerant Circuit	Digit 12 = Number of Refrigerant Parts (Multi-split) 2 = 2 Port System 3 = 3 Port System 4 = 4 Port System 5 = 5 Port System	
Digit 5 = Efficiency Tier 6 - 16+ SEER 8 - 18+ SEER	Digit 13 = Reserved for Future Use 0 = Not currently used	
Digit 6 = Connection Type 5 - Flare	Digit 14 = Minor Design Sequence A = First Design Sequence B = Second Design Sequence C = Third Design Sequence	
Digit 7,8 = Nominal Capacity (Btu/h × 1,000) 09 = 9,000 Btu/h 12 = 12,000 Btu/h 18 = 18,000 Btu/h 24 = 24,000 Btu/h 30 = 30,000 Btu/h 36 = 36,000 Btu/h 42 = 42,000 Btu/h	Digit 15 = Service Digit A = First Sequence	

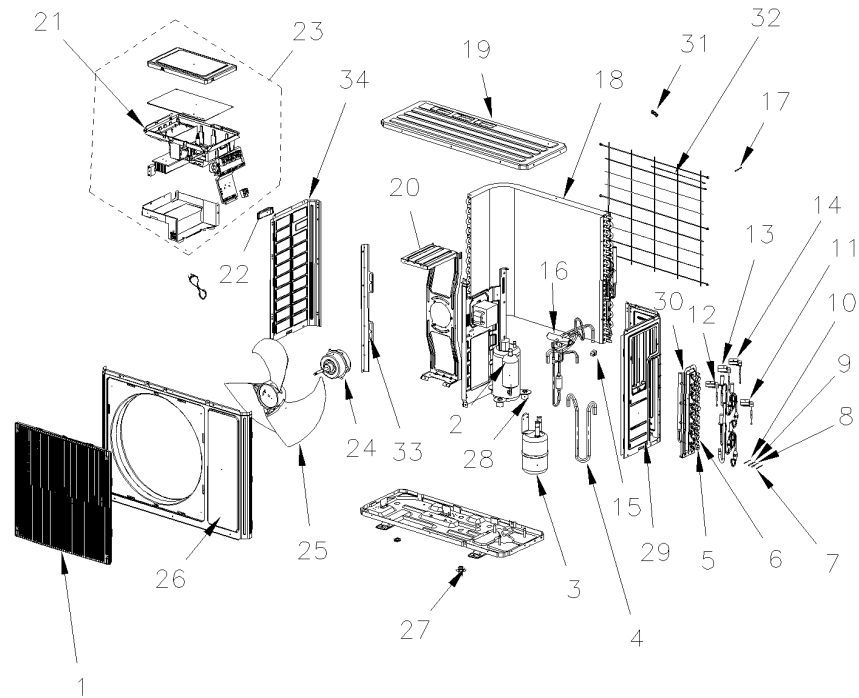
Part No.	Reference No.	Quantity	Description
75009914_4TXMUP1_133364~P	*		MODEL NOMENCLATURE PARTS LIST

MODEL NOMENCLATURE	75009914	REV A
Gree Outdoor Unit – Inverter Multiple Refrigerant Circuits		
Model Number Example 4 T X K 6 5 1 8 A 1 0 2 0 B A 1 2 3 4 5 6 7 8 9 10 11 12 13 14 15		
Digit 1 = Refrigerant 4 = R-410a Digit 2 = Brand Name T = Mini Split Outdoor Unit Digit 3 = Functional Type X = Heat Pump Inverter Y = Cooling Only Inverter Digit 4 = Configuration Outdoor Unit K = Single Refrigerant Circuit M = Multiple Refrigerant Circuit Digit 5 = Efficiency Tier 6 - 16+ SEER 8 - 18+ SEER Digit 6 = Connection Type 5 - Flare Digit 7,8 = Nominal Capacity (Btu/h × 1,000) 09 = 9,000 Btu/h 12 = 12,000 Btu/h 18 = 18,000 Btu/h 24 = 24,000 Btu/h 30 = 30,000 Btu/h 36 = 36,000 Btu/h 42 = 42,000 Btu/h	Digit 9 = Major Development Sequence A = First Development Sequence B = Second Development Sequence C = Third Development Sequence Digit 10 = Electric Power Supply Characteristics 1 = 208-230/60/1 Digit 11 = Reserved for Future Use 0 = Not currently used Digit 12 = Number of Refrigerant Parts (Multi-split) 2 = 2 Port System 3 = 3 Port System 4 = 4 Port System 5 = 5 Port System Digit 13 = Reserved for Future Use 0 = Not currently used Digit 14 = Minor Design Sequence A = First Design Sequence B = Second Design Sequence C = Third Design Sequence Digit 15 = Service Digit A = First Sequence	

GENERAL ASSEMBLY

75009905

REV
B



All orderable Service Parts are identified for this product.

Parts that are not identified, will not be available to order.

This is a typical illustration. The unit in the field maynot. appear exactly as shown.

Parts List Number :4TXMUP1#4TXMUP1

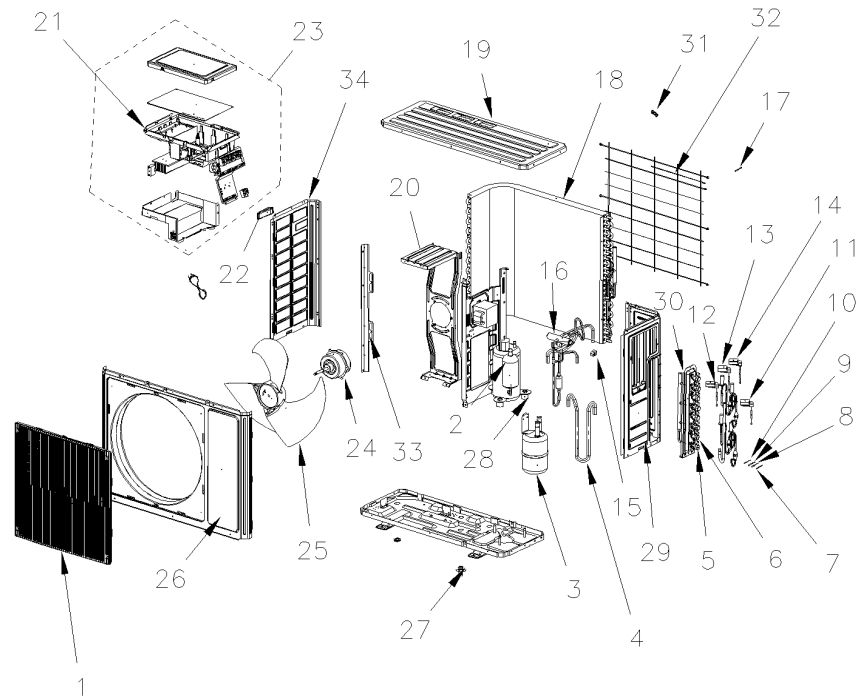
Model Number :4TXM6530A1040BA

Part No.	Reference No.	Quantity	Description
75009905_4TXMUP1_339785~P	*		GENERAL ASSEMBLY PARTS LIST

GENERAL ASSEMBLY

75009905

REV
B

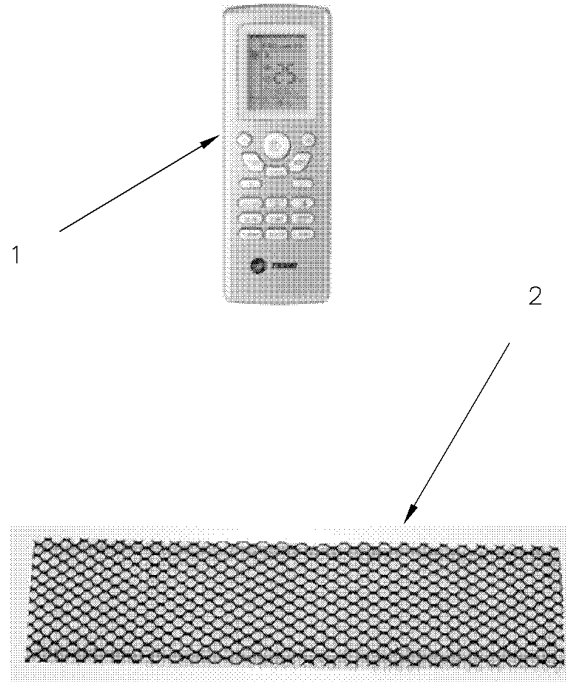


All orderable Service Parts are identified for this product.
Parts that are not identified, will not be available to order.
This is a typical illustration. The unit in the field maynot. appear exactly as shown.

Part No.	Reference No.	Quantity	Description
FTG01288	*	1	FITTING; DRAINAGE JOINT
OLD00734	*	1	OVERLOAD; COMPRESSOR OVERLOAD PROCTECTOR(EXTERNAL)
PAI00420	*	1	PAINT; CUSTOM PAINT MATCH FOR MINI SPLIT
SWT03650	*	1	SWITCH; PRESSURE PROTECT
GRL01689	1	1	GRILLE; FRONT GRILL
COM10736	2	1	COMPRESSOR; ASSEMBLY AND FITTINGS
SEP00106	3	1	SEPARATOR; GAS-LIQUID SEPARATOR ASSY(07225017)
TUB13214	4	1	TUBE; INHALATION TUBE
VAL09988	5	1	VALVE; CUT-OFF VALVE
VAL09362	6	1	VALVE; CUT-OFF LIQUID
SEN02067	7	1	SENSOR; TEMPERATURE
SEN02066	8	1	SENSOR; TEMPERATURE
SEN02065	9	1	SENSOR; TEMPERATURE
SEN02068	10	1	SENSOR; TEMPERATURE
FTG01266	11	1	FITTING; ELECTRIC EXPAND VALVE FITTING
FTG01267	12	1	FITTING; ELECTRIC EXPAND VALVE FITTING
FTG01268	13	1	FITTING; ELECTRIC EXPAND VALVE FITTING
FTG01269	14	1	FITTING; ELECTRIC EXPAND VALVE FITTING
COL16754	15	1	COIL; SOLNOID REVERSING VALVE
VAL12584	16	1	VALVE; 4-WAY ASSY
SEN01804	17	1	SENSOR; TEMPERATURE (INCLUDES; DISCHARGE TUBE SENSOR (50K), COIL TUBE SENSOR (20K) AND OUTDOOR AMBIENT SENSOR (15K))
CDS01646	18	1	CONDENSER; ASSEMBLY
COV04192	19	1	COVER; TOP COVER
SUP05585	20	1	SUPPORT; MOTOR SUPPORT SUB-ASSY
BRD04473	21	1	BOARD; MAIN
HDL01103	22	1	HANDLE; LEFT HANDLE(26235401)
CNT06858	23	1	CONTROL; ELECTRIC BOX ASSY
MOT14675	24	1	MOTOR; FAN MOTOR
FAN04378	25	1	FAN; AXIAL FLOW
CAS02041	26	1	CASING; CABINET
CAP01252	27	1	CAP; DRAINAGE HOLE
GRM01071	28	3	GROMMET; MOUNTS
PNL32543	29	1	PANEL; RIGHT SIDE PLATE ASSY
SUP06188	30	1	SUPPORT; VALVE ASSY
CMP01443	31	1	CLAMP; WIRING
GRL01688	32	1	GRILLE; REAR GRILL
PLT05419	33	1	PLATE; CONDENSER SUPPORT
PNL29955	34	1	PANEL; FRONT SIDE

G-NAR ACCESSORIES MULTI-SPLIT UNITS 75009916

REV
A



* NOT ILLUSTRATED
TYPICAL ILLUSTRATION

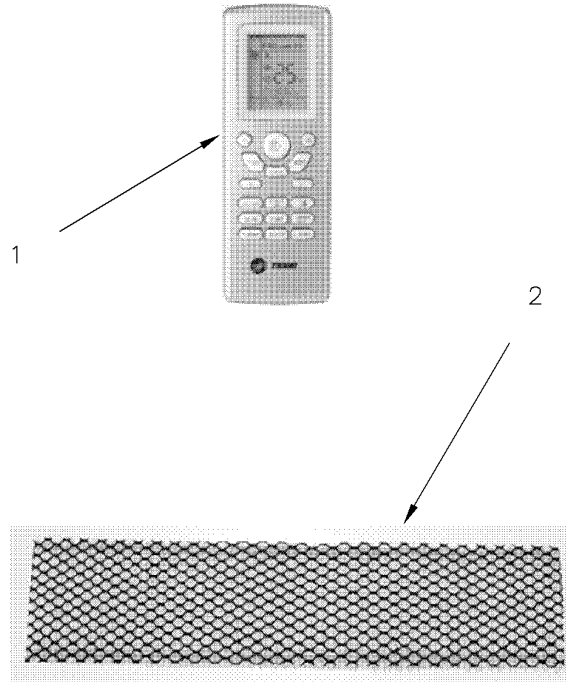
Parts List Number :4TXMUP1#4TXMUP1

Model Number :4TXM6530A1040BA

Part No.	Reference No.	Quantity	Description
75009916_4TXMUP1_133365~P	*		ACCESSORIES PARTS LIST

G-NAR ACCESSORIES MULTI-SPLIT UNITS 75009916

REV
A



* NOT ILLUSTRATED
TYPICAL ILLUSTRATION

Parts List Number :4TXMUP1#4TXMUP1

Model Number :4TXM6530A1040BA

Part No.	Reference No.	Quantity	Description
CNT06868	1	1	CONTROL; REMOTE CONTROLLER, TRANE BRAND
CNT06869	1	1	CONTROL; REMOTE CONTROLLER, AMERICAN STANDARD BRAND