

Part No.	Reference No.	Quantity	Description
4TXMUP3_4TXMUP3_242970~P	*		4TXMUP3 PARTS LIST
75012177#4TXMUP3~S	*		GENERAL ASSEMBLY 2.0 TON
75012176#4TXMUP3~S	*		MODEL NOMENCLATURE
75012181#4TXMUP3~S	*		NOTES FOR PICKING PARTS LIST

NO GRAPHIC AVAILABLE

75013702

REV
A

**NO
GRAPHIC
AVAILABLE**

MODEL NOMENCLATURE

75012176

REV.
A

North America Outdoor Unit - Inverter Multiple Refrigerant Circuits

Model Number Example

4 T X M 6 5 2 4 A 1 0 3 0 C A
1 2 3 4 5 6 7 8 9 10 11 12 13 14 15

Digit 1 = Refrigerant

4 = R-410a

Digit 2 = Brand Name

T = Mini Split Outdoor Unit

Digit 3 = Functional Type

X = Heat Pump Inverter

Y = Cooling Only Inverter

Digit 4 = Configuration Outdoor Unit

K = Single Refrigerant Circuit

M = Multiple Refrigerant Circuit

Digit 5 = Efficiency Tier

6 - 16+ SEER

8 - 18+ SEER

Digit 6 = Connection Type

5 - Flare

Digit 7,8 = Nominal Capacity
(Btu/h x 1,000)

09 = 9,000 Btu/h

12 = 12,000 Btu/h

18 = 18,000 Btu/h

24 = 24,000 Btu/h

30 = 30,000 Btu/h

36 = 36,000 Btu/h

42 = 42,000 Btu/h

Digit 9 = Major Development Sequence

A = First Development Sequence

B = Second Development Sequence

C = Third Development Sequence

Digit 10 = Electric Power Supply Characteristics

1 = 208-230/60/1

Digit 11 = Reserved for Future Use

0 = Not currently used

Digit 12 = Number of Refrigerant Ports (Multi-split)

2 = 2 Port System

3 = 3 Port System

4 = 4 Port System

5 = 5 Port System

Digit 13 = Reserved for Future Use

0 = Not currently used

Digit 14 = Minor Design Sequence

A = First Design Sequence

B = Second Design Sequence

C = Third Design Sequence

Digit 15 = Service Digit

A = First Sequence

All orderable Service Parts are identified for this product.

Parts that are not identified, will not be available to order.

This is a typical illustration. The unit in the field may not appear exactly as shown.

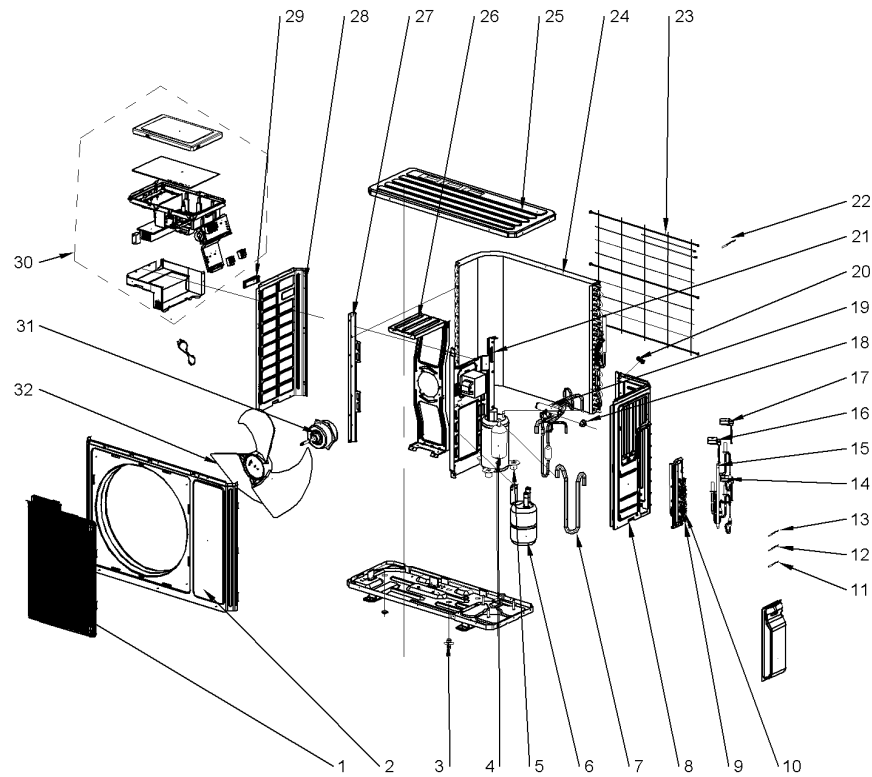
Part No.	Reference No.	Quantity	Description
75012176_4TXMUP3_242971~P	*		MODEL NOMENCLATURE PARTS LIST

MODEL NOMENCLATURE	75012176	<small>REV.</small> A
North America Outdoor Unit - Inverter Multiple Refrigerant Circuits		
Model Number Example 4 T X M 6 5 2 4 A 1 0 3 0 C A 1 2 3 4 5 6 7 8 9 10 11 12 13 14 15		
Digit 1 = Refrigerant 4 = R-410a Digit 2 = Brand Name T = Mini Split Outdoor Unit Digit 3 = Functional Type X = Heat Pump Inverter Y = Cooling Only Inverter Digit 4 = Configuration Outdoor Unit K = Single Refrigerant Circuit M = Multiple Refrigerant Circuit Digit 5 = Efficiency Tier 6 - 16+ SEER 8 - 18+ SEER Digit 6 = Connection Type 5 - Flare Digit 7,8 = Nominal Capacity (Btu/h x 1,000) 09 = 9,000 Btu/h 12 = 12,000 Btu/h 18 = 18,000 Btu/h 24 = 24,000 Btu/h 30 = 30,000 Btu/h 36 = 36,000 Btu/h 42 = 42,000 Btu/h	Digit 9 = Major Development Sequence A = First Development Sequence B = Second Development Sequence C = Third Development Sequence Digit 10 = Electric Power Supply Characteristics 1 = 208-230/60/1 Digit 11 = Reserved for Future Use 0 = Not currently used Digit 12 = Number of Refrigerant Ports (Multi-split) 2 = 2 Port System 3 = 3 Port System 4 = 4 Port System 5 = 5 Port System Digit 13 = Reserved for Future Use 0 = Not currently used Digit 14 = Minor Design Sequence A = First Design Sequence B = Second Design Sequence C = Third Design Sequence Digit 15 = Service Digit A = First Sequence	
All orderable Service Parts are identified for this product. Parts that are not identified, will not be available to order. This is a typical illustration. The unit in the field may not appear exactly as shown.		

GENERAL ASSEMBLY
2.0 TON O.D. INVERTER MULTI REFRIGERANT CIRCUIT

75012177

REV.
A



All orderable Service Parts are identified for this product.

Parts that are not identified, will not be available to order.

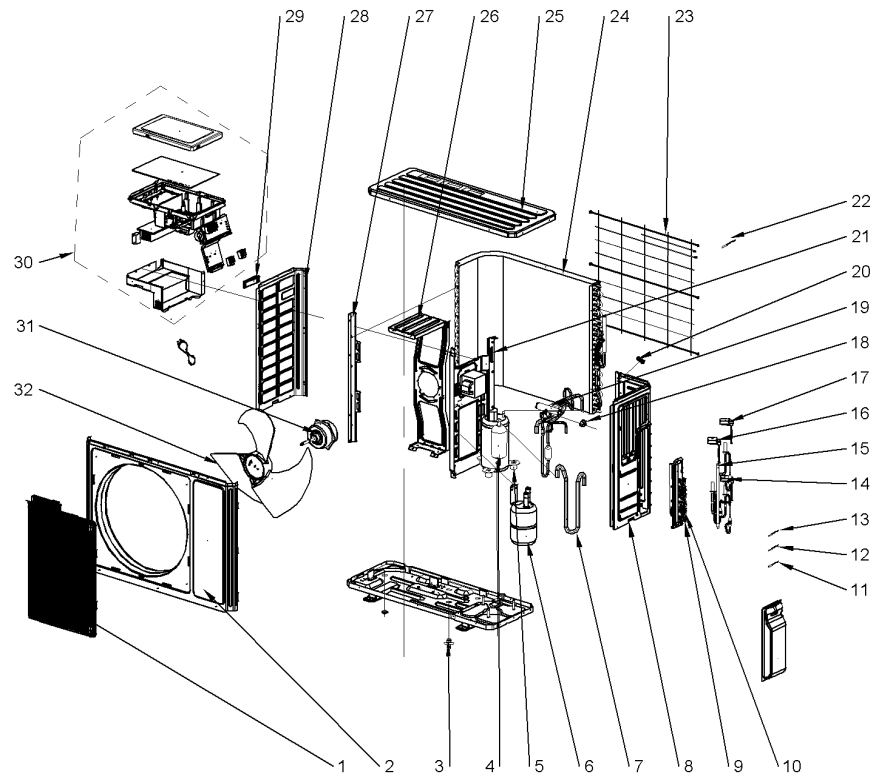
This is a typical illustration. The unit in the field may not appear exactly as shown.

Part No.	Reference No.	Quantity	Description
75012177_4TXMUP3_242972~P	*		GENERAL ASSEMBLY 2.0 TON PARTS LIST

GENERAL ASSEMBLY
2.0 TON O.D. INVERTER MULTI REFRIGERANT CIRCUIT

75012177

REV.
A



All orderable Service Parts are identified for this product.
Parts that are not identified, will not be available to order.
This is a typical illustration. The unit in the field may not appear exactly as shown.

Part No.	Reference No.	Quantity	Description
BOX03545	*	1	BOX; ELECTRIC BOX (METAL)
OLD00734	*	1	OVERLOAD; COMPRESSOR OVERLOAD PROTECTOR(EXTERNAL)
PAI00420	*	1	PAINT; CUSTOM PAINT MATCH FOR MINI SPLIT
PNL35515	*	1	PANEL; SUB ASSEMBLY
SUP06372	*	1	SUPPORT; VALVE SUPPORT ASSY
SWT03650	*	1	SWITCH; PRESSURE PROTECT
GRL01689	1	1	GRILLE; FRONT GRILL
CAS02041	2	1	CASING; CABINET
CAP01252	3	1	CAP; DRAINAGE HOLE
COM12716	4	1	COMPRESSOR; AND FITTINGS
GRM01071	5	3	GROMMET; MOUNTS
SEP00106	6	1	SEPARATOR; GAS-LIQUID SEPARATOR ASSY(07225017)
TUB13214	7	1	TUBE; INHALATION TUBE
PLT05424	8	1	PLATE; RIGHT SIDE
VAL09988	9	1	VALVE; CUT-OFF VALVE
VAL09362	10	1	VALVE; CUT-OFF LIQUID
SEN02066	11	1	SENSOR; TEMPERATURE
SEN02065	12	1	SENSOR; TEMPERATURE
SEN02655	13	1	SENSOR; TEMPERATURE SENSOR
FTG01268	14	1	FITTING; ELECTRIC EXPAND VALVE FITTING
VAL12586	15	1	VALVE; ELECTRONIC EXPANSION ASSY
FTG01267	16	1	FITTING; ELECTRIC EXPAND VALVE FITTING
FTG01266	17	1	FITTING; ELECTRIC EXPAND VALVE FITTING
COL16754	18	1	COIL; SOLNOID REVERSING VALVE
VAL12584	19	1	VALVE; 4-WAY ASSY
CMP01443	20	1	CLAMP; WIRING
PNL35045	21	1	PANEL; CLAPBOARD ASSY
SEN01804	22	1	SENSOR; TEMPERATURE (INCLUDES; DISCHARGE TUBE SENSOR (50K), COIL TUBE SENSOR (20K) AND OUTDOOR AMBIENT SENSOR (15K))
GRL01688	23	1	GRILLE; REAR GRILL
CDS02336	24	1	COIL; CONDENSER ASSY
COV04192	25	1	COVER; TOP COVER
SUP05585	26	1	SUPPORT; MOTOR SUPPORT SUB-ASSY
PLT05419	27	1	PLATE; CONDENSER SUPPORT
PNL29955	28	1	PANEL; FRONT SIDE
HDL01293	29	1	HANDLE;
CNT06863	30	1	CONTROL; ELECTRIC BOX ASSY
MOT14675	31	1	MOTOR; FAN MOTOR
FAN04378	32	1	FAN; AXIAL FLOW

PICKING CORRECT PARTS LIST

75012181

REV.
A

4TXMUP3 IS FOR NORTH AMERICA (NA), 4TXMEUP1 IS FOR LAR

WHEN ENTERING ONE OF THE BELOW FOUR (4) MODEL NUMBERS INTO
CATS OR, PARTS & SUPPLY, PLEASE PICK PARTS LIST 4TXMUP3 FOR
ORDERING PARTS IN NORTH AMERICA (WINDCHILL/ORACLE), AND PICK
PARTS LIST 4TXMEUP1 FOR ORDERING PARTS IN LATIN AMERICA (PEOPLE
SOFT).

4TXM6524A1030CA
4TXM6530A1040CA
4TXM6536A1040CB
4TXM6542A1050CB

All orderable Service Parts are identified for this product.

Parts that are not identified, will not be available to order.

This is a typical illustration. The unit in the field may not appear exactly as shown.

NOTES FOR PICKING PARTS LIST

Parts List Number :4TXMUP3#4TXMUP3

Model Number :4TXM6524A1030CA

Part No.	Reference No.	Quantity	Description
75012181_4TXMUP3_242974~P	*		NOTES FOR PICKING PARTS LIST

PICKING CORRECT PARTS LIST

75012181

REV.
A

4TXMUP3 IS FOR NORTH AMERICA (NA), 4TXMEUP1 IS FOR LAR

WHEN ENTERING ONE OF THE BELOW FOUR (4) MODEL NUMBERS INTO
CATS OR, PARTS & SUPPLY, PLEASE PICK PARTS LIST 4TXMUP3 FOR
ORDERING PARTS IN NORTH AMERICA (WINDCHILL/ORACLE), AND PICK
PARTS LIST 4TXMEUP1 FOR ORDERING PARTS IN LATIN AMERICA (PEOPLE
SOFT).

4TXM6524A1030CA
4TXM6530A1040CA
4TXM6536A1040CB
4TXM6542A1050CB

All orderable Service Parts are identified for this product.

Parts that are not identified, will not be available to order.

This is a typical illustration. The unit in the field may not appear exactly as shown.

