

<b>Part No.</b>	<b>Reference No.</b>	<b>Quantity</b>	<b>Description</b>
4TXMUP1_4TXMUP1_133360~P	*		4TXMUP1 PARTS LIST
75009916#4TXMUP1~S	*		ACCESSORIES
75009904#4TXMUP1~S	*		GENERAL ASSEMBLY
75009914#4TXMUP1~S	*		MODEL NOMENCLATURE

NO GRAPHIC AVAILABLE

75013702

REV  
A

**NO  
GRAPHIC  
AVAILABLE**

MODEL NOMENCLATURE	75009914	REV A
Gree Outdoor Unit – Inverter Multiple Refrigerant Circuits		
<b>Model Number Example</b> <b>4 T X K 6 5 1 8 A 1 0 2 0 B A</b> <b>1 2 3 4 5 6 7 8 9 10 11 12 13 14 15</b>		
Digit 1 = Refrigerant 4 = R-410a  Digit 2 = Brand Name T = Mini Split Outdoor Unit  Digit 3 = Functional Type X = Heat Pump Inverter Y = Cooling Only Inverter  Digit 4 = Configuration Outdoor Unit K = Single Refrigerant Circuit M = Multiple Refrigerant Circuit  Digit 5 = Efficiency Tier  6 - 16+ SEER 8 - 18+ SEER  Digit 6 = Connection Type 5 - Flare  Digit 7,8 = Nominal Capacity (Btu/h × 1,000)  09 = 9,000 Btu/h 12 = 12,000 Btu/h 18 = 18,000 Btu/h 24 = 24,000 Btu/h 30 = 30,000 Btu/h 36 = 36,000 Btu/h 42 = 42,000 Btu/h	Digit 9 = Major Development Sequence A = First Development Sequence B = Second Development Sequence C = Third Development Sequence  Digit 10 = Electric Power Supply Characteristics 1 = 208-230/60/1  Digit 11 = Reserved for Future Use 0 = Not currently used  Digit 12 = Number of Refrigerant Parts (Multi-split) 2 = 2 Port System 3 = 3 Port System 4 = 4 Port System 5 = 5 Port System  Digit 13 = Reserved for Future Use 0 = Not currently used  Digit 14 = Minor Design Sequence A = First Design Sequence B = Second Design Sequence C = Third Design Sequence  Digit 15 = Service Digit A = First Sequence	

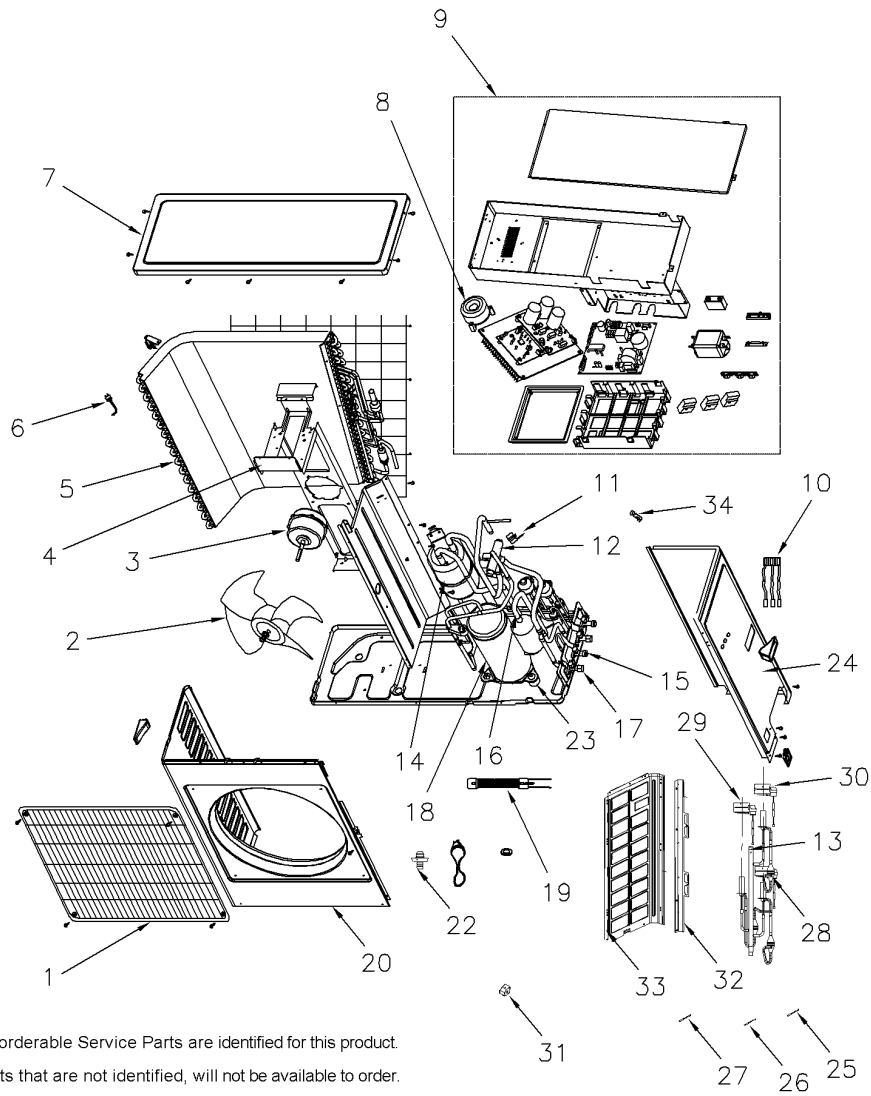
Part No.	Reference No.	Quantity	Description
75009914_4TXMUP1_133364~P	*		MODEL NOMENCLATURE PARTS LIST

MODEL NOMENCLATURE	75009914	REV A
Gree Outdoor Unit – Inverter Multiple Refrigerant Circuits		
<b>Model Number Example</b> <b>4 T X K 6 5 1 8 A 1 0 2 0 B A</b> <b>1 2 3 4 5 6 7 8 9 10 11 12 13 14 15</b>		
Digit 1 = Refrigerant 4 = R-410a  Digit 2 = Brand Name T = Mini Split Outdoor Unit  Digit 3 = Functional Type X = Heat Pump Inverter Y = Cooling Only Inverter  Digit 4 = Configuration Outdoor Unit K = Single Refrigerant Circuit M = Multiple Refrigerant Circuit  Digit 5 = Efficiency Tier  6 - 16+ SEER 8 - 18+ SEER  Digit 6 = Connection Type 5 - Flare  Digit 7,8 = Nominal Capacity (Btu/h × 1,000)  09 = 9,000 Btu/h 12 = 12,000 Btu/h 18 = 18,000 Btu/h 24 = 24,000 Btu/h 30 = 30,000 Btu/h 36 = 36,000 Btu/h 42 = 42,000 Btu/h	Digit 9 = Major Development Sequence A = First Development Sequence B = Second Development Sequence C = Third Development Sequence  Digit 10 = Electric Power Supply Characteristics 1 = 208-230/60/1  Digit 11 = Reserved for Future Use 0 = Not currently used  Digit 12 = Number of Refrigerant Parts (Multi-split) 2 = 2 Part System 3 = 3 Part System 4 = 4 Part System 5 = 5 Part System  Digit 13 = Reserved for Future Use 0 = Not currently used  Digit 14 = Minor Design Sequence A = First Design Sequence B = Second Design Sequence C = Third Design Sequence  Digit 15 = Service Digit A = First Sequence	

GENERAL ASSEMBLY

75009904

REV  
B



All orderable Service Parts are identified for this product.  
Parts that are not identified, will not be available to order.  
This is a typical illustration. The unit in the field may not appear exactly as shown.

Parts List Number :4TXMUP1#4TXMUP1

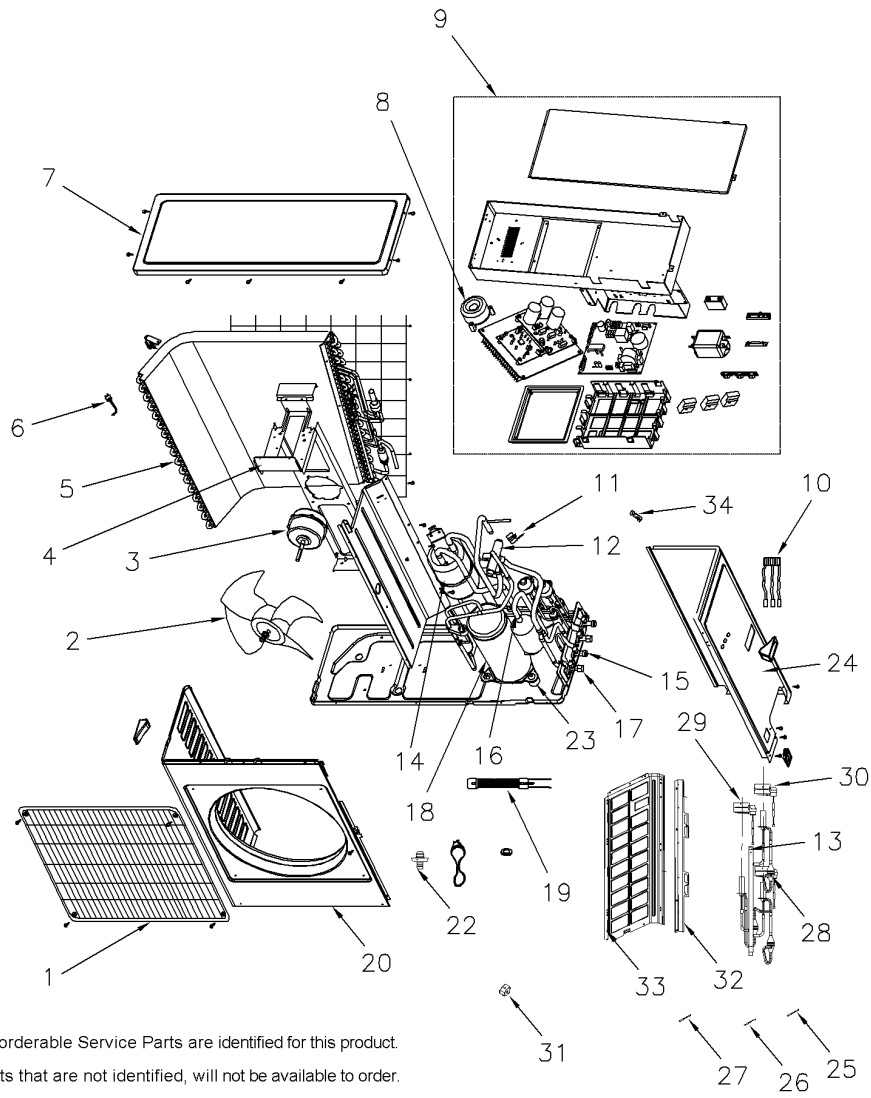
Model Number :4TXM6524A1030BA

Part No.	Reference No.	Quantity	Description
75009904_4TXMUP1_346243~P	*		GENERAL ASSEMBLY PARTS LIST

GENERAL ASSEMBLY

75009904

REV  
B

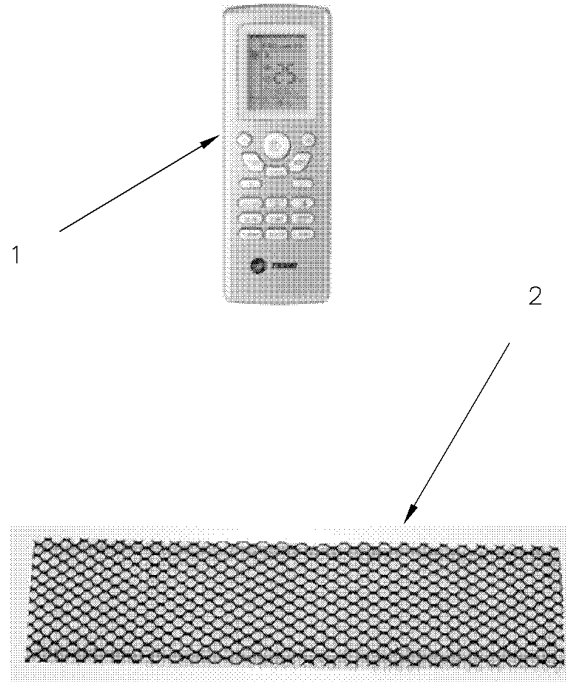


All orderable Service Parts are identified for this product.  
Parts that are not identified, will not be available to order.  
This is a typical illustration. The unit in the field may not appear exactly as shown.

Part No.	Reference No.	Quantity	Description
BRD05063	*	1	BOARD; CONTROL
FTG01288	*	1	FITTING; DRAINAGE JOINT
PAI00420	*	1	PAINT; CUSTOM PAINT MATCH FOR MINI SPLIT
OLD00734		1	OVERLOAD; COMPRESSOR OVERLOAD PROTECTOR(EXTERNAL)
GRL01689	1	1	GRILLE; FRONT GRILL
FAN04378	2	1	FAN; AXIAL FLOW
MOT14675	3	1	MOTOR; FAN MOTOR
SUP05585	4	1	SUPPORT; MOTOR SUPPORT SUB-ASSY
CDS01646	5	1	CONDENSER; ASSEMBLY
SWT03650	6	1	SWITCH; PRESSURE PROTECT
COV04192	7	1	COVER; TOP COVER
CNT06860	8	1	CONTROL; PFC INDUCTANCE
CNT06863	9	1	CONTROL; ELECTRIC BOX ASSY
SEN01804	10	1	SENSOR; TEMPERATURE (INCLUDES; DISCHARGE TUBE SENSOR (50K), COIL TUBE SENSOR (20K) AND OUTDOOR AMBIENT SENSOR (15K))
VAL10619	11	1	VALVE; FITTINGS, 4-WAY
VAL12584	12	1	VALVE; 4-WAY ASSY
VAL12586	13	1	VALVE; ELECTRONIC EXPANSION ASSY
SEP00106	14	1	SEPARATOR; GAS-LIQUID SEPARATOR ASSY ( 07225017)
VAL09362	15	1	VALVE; CUT-OFF LIQUID
TUB13214	16	1	TUBE; INHALATION TUBE
VAL09988	17	1	VALVE; CUT-OFF VALVE
COM10736	18	1	COMPRESSOR; ASSEMBLY AND FITTINGS
HTR12714	19	1	HEATER; ELECTRICAL
CAS02041	20	1	CASING; CABINET
CAP01252	22	1	CAP; DRAINAGE HOLE
GRM01071	23	3	GROMMET; MOUNTS
PNL32543	24	1	PANEL; RIGHT SIDE PLATE ASSY
SEN02066	25	1	SENSOR; TEMPERATURE
SEN02065	26	1	SENSOR; TEMPERATURE
SEN02068	27	1	SENSOR; TEMPERATURE
FTG01268	28	1	FITTING; ELECTRIC EXPAND VALVE FITTING
FTG01267	29	1	FITTING; ELECTRIC EXPAND VALVE FITTING
FTG01266	30	1	FITTING; ELECTRIC EXPAND VALVE FITTING
COL16754	31	1	COIL; SOLNOID REVERSING VALVE
PLT05419	32	1	PLATE; CONDENSER SUPPORT
PNL29955	33	1	PANEL; FRONT SIDE
CMP01443	34	1	CLAMP; WIRING

G-NAR ACCESSORIES MULTI-SPLIT UNITS 75009916

REV  
A



\* NOT ILLUSTRATED  
TYPICAL ILLUSTRATION

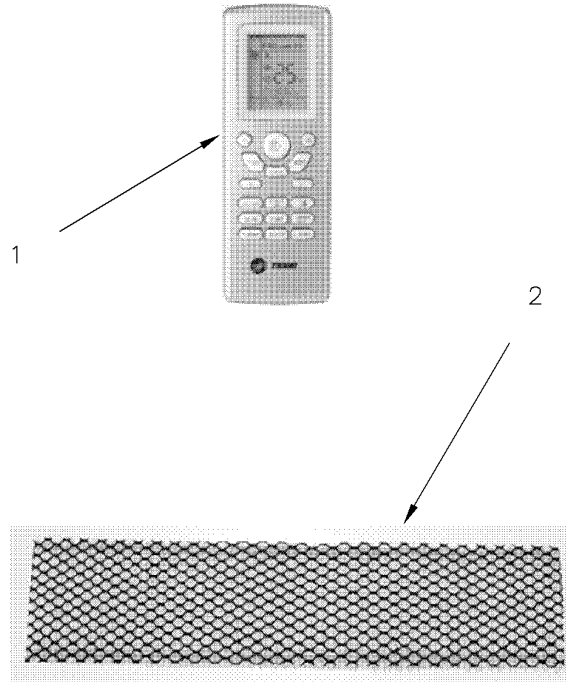
Parts List Number :4TXMUP1#4TXMUP1

Model Number :4TXM6524A1030BA

Part No.	Reference No.	Quantity	Description
75009916_4TXMUP1_133365~P	*		ACCESSORIES PARTS LIST

G-NAR ACCESSORIES MULTI-SPLIT UNITS 75009916

REV  
A



\* NOT ILLUSTRATED  
TYPICAL ILLUSTRATION

Parts List Number :4TXMUP1#4TXMUP1

Model Number :4TXM6524A1030BA

<b>Part No.</b>	<b>Reference No.</b>	<b>Quantity</b>	<b>Description</b>
CNT06868	1	1	CONTROL; REMOTE CONTROLLER, TRANE BRAND
CNT06869	1	1	CONTROL; REMOTE CONTROLLER, AMERICAN STANDARD BRAND