

Part No.	Reference No.	Quantity	Description
4TXMUP3_4TXMUP3_242970~P	*		4TXMUP3 PARTS LIST
75012315#4TXMUP3~S	*		ELECTRICAL BOX ASSEMBLY 1.5 TON
75012314#4TXMUP3~S	*		GENERAL ASSEMBLY 1.5 TON
75012176#4TXMUP3~S	*		MODEL NOMENCLATURE
75012181#4TXMUP3~S	*		NOTES FOR PICKING PARTS LIST
75012313#4TXMUP3~S	*		PANEL SECTION 1.5 TON

NO GRAPHIC AVAILABLE

75013702

REV
A

**NO
GRAPHIC
AVAILABLE**

MODEL NOMENCLATURE

75012176

REV.
A

North America Outdoor Unit - Inverter Multiple Refrigerant Circuits

Model Number Example

4 T X M 6 5 2 4 A 1 0 3 0 C A
1 2 3 4 5 6 7 8 9 10 11 12 13 14 15

Digit 1 = Refrigerant

4 = R-410a

Digit 2 = Brand Name

T = Mini Split Outdoor Unit

Digit 3 = Functional Type

X = Heat Pump Inverter

Y = Cooling Only Inverter

Digit 4 = Configuration Outdoor Unit

K = Single Refrigerant Circuit

M = Multiple Refrigerant Circuit

Digit 5 = Efficiency Tier

6 - 16+ SEER

8 - 18+ SEER

Digit 6 = Connection Type

5 - Flare

Digit 7,8 = Nominal Capacity
(Btu/h x 1,000)

09 = 9,000 Btu/h

12 = 12,000 Btu/h

18 = 18,000 Btu/h

24 = 24,000 Btu/h

30 = 30,000 Btu/h

36 = 36,000 Btu/h

42 = 42,000 Btu/h

Digit 9 = Major Development Sequence

A = First Development Sequence

B = Second Development Sequence

C = Third Development Sequence

Digit 10 = Electric Power Supply Characteristics

1 = 208-230/60/1

Digit 11 = Reserved for Future Use

0 = Not currently used

Digit 12 = Number of Refrigerant Ports (Multi-split)

2 = 2 Port System

3 = 3 Port System

4 = 4 Port System

5 = 5 Port System

Digit 13 = Reserved for Future Use

0 = Not currently used

Digit 14 = Minor Design Sequence

A = First Design Sequence

B = Second Design Sequence

C = Third Design Sequence

Digit 15 = Service Digit

A = First Sequence

All orderable Service Parts are identified for this product.

Parts that are not identified, will not be available to order.

This is a typical illustration. The unit in the field may not appear exactly as shown.

Part No.	Reference No.	Quantity	Description
75012176_4TXMUP3_242971~P	*		MODEL NOMENCLATURE PARTS LIST

MODEL NOMENCLATURE

75012176

REV.
A

North America Outdoor Unit - Inverter Multiple Refrigerant Circuits

Model Number Example

4 T X M 6 5 2 4 A 1 0 3 0 C A
1 2 3 4 5 6 7 8 9 10 11 12 13 14 15

Digit 1 = Refrigerant

4 = R-410a

Digit 2 = Brand Name

T = Mini Split Outdoor Unit

Digit 3 = Functional Type

X = Heat Pump Inverter

Y = Cooling Only Inverter

Digit 4 = Configuration Outdoor Unit

K = Single Refrigerant Circuit

M = Multiple Refrigerant Circuit

Digit 5 = Efficiency Tier

6 - 16+ SEER

8 - 18+ SEER

Digit 6 = Connection Type

5 - Flare

Digit 7,8 = Nominal Capacity
(Btu/h x 1,000)

09 = 9,000 Btu/h

12 = 12,000 Btu/h

18 = 18,000 Btu/h

24 = 24,000 Btu/h

30 = 30,000 Btu/h

36 = 36,000 Btu/h

42 = 42,000 Btu/h

Digit 9 = Major Development Sequence

A = First Development Sequence

B = Second Development Sequence

C = Third Development Sequence

Digit 10 = Electric Power Supply Characteristics

1 = 208-230/60/1

Digit 11 = Reserved for Future Use

0 = Not currently used

Digit 12 = Number of Refrigerant Ports (Multi-split)

2 = 2 Port System

3 = 3 Port System

4 = 4 Port System

5 = 5 Port System

Digit 13 = Reserved for Future Use

0 = Not currently used

Digit 14 = Minor Design Sequence

A = First Design Sequence

B = Second Design Sequence

C = Third Design Sequence

Digit 15 = Service Digit

A = First Sequence

All orderable Service Parts are identified for this product.

Parts that are not identified, will not be available to order.

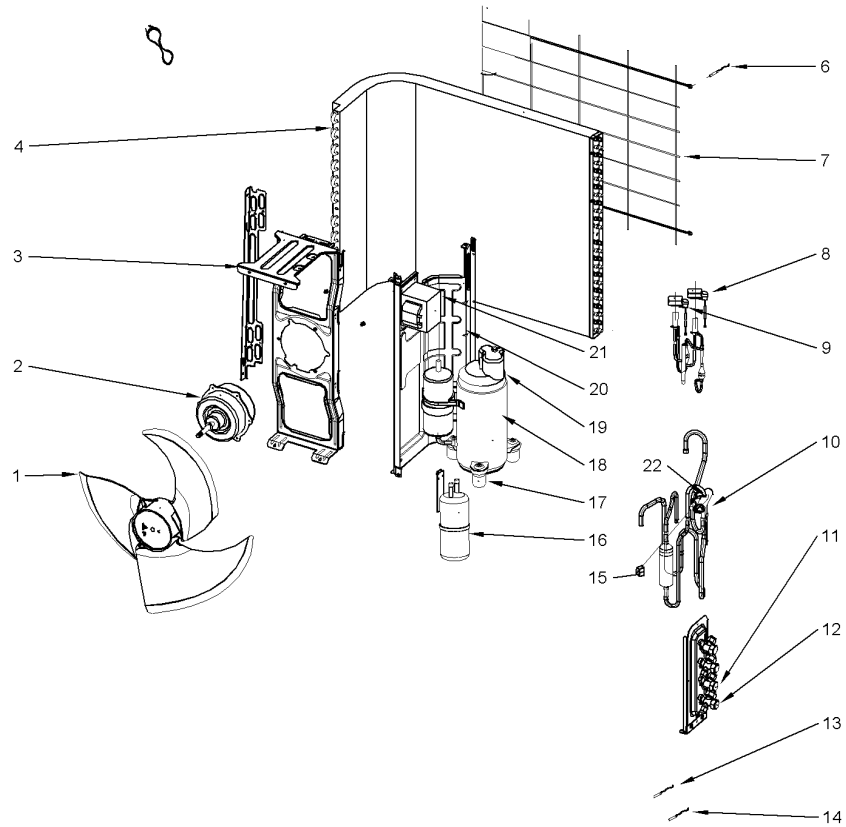
This is a typical illustration. The unit in the field may not appear exactly as shown.

GENERAL ASSEMBLY

75012314

REV.
A

1.5 TON HEAT PUMP INVERTER MULTIPLE REFRIGERANT CIRCUITS



All orderable Service Parts are identified for this product.

Parts that are not identified, will not be available to order.

This is a typical illustration. The unit in the field may not appear exactly as shown.

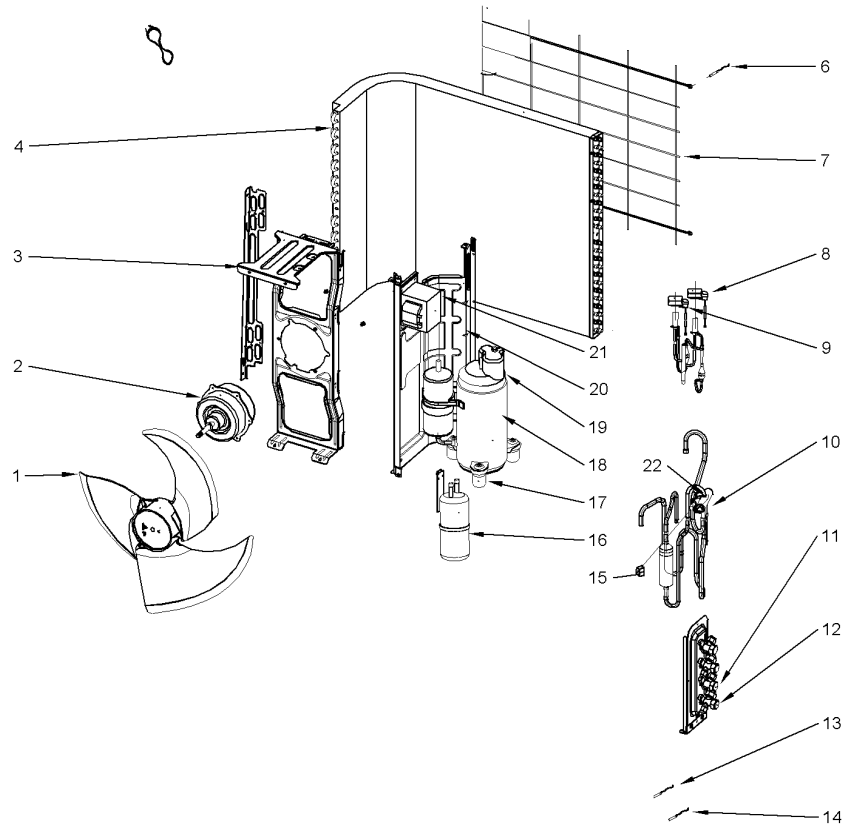
Part No.	Reference No.	Quantity	Description
75012314_4TXMUP3_366547~P	*		GENERAL ASSEMBLY 1.5 TON PARTS LIST

GENERAL ASSEMBLY

75012314

REV.
A

1.5 TON HEAT PUMP INVERTER MULTIPLE REFRIGERANT CIRCUITS



All orderable Service Parts are identified for this product.

Parts that are not identified, will not be available to order.

This is a typical illustration. The unit in the field may not appear exactly as shown.

Part No.	Reference No.	Quantity	Description
HTR15659	*	1	HEATER; ELECTRICAL
SRA01034	*	1	STRAINER;
VAL18746	*	1	VALVE; SUPPORT ASSY
FAN04745	1	1	FAN; AXIAL FLOW
MOT14674	2	1	MOTOR; FAN
SUP06186	3	1	SUPPORT; MOTOR SUB-ASSY
COL28282	4	1	COIL; CONDENSER ASSY
SEN01804	6	1	SENSOR; TEMPERATURE (INCLUDES; DISCHARGE TUBE SENSOR (50K), COIL TUBE SENSOR (20K) AND OUTDOOR AMBIENT SENSOR (15K))
GRL02161	7	1	GRILLE; REAR
FTG01267	8	1	FITTING; ELECTRIC EXPAND VALVE FITTING
FTG01266	9	1	FITTING; ELECTRIC EXPAND VALVE FITTING
VAL12585	10	1	VALVE; 4-WAY ASSY
VAL09362	11	1	VALVE; CUT-OFF LIQUID
VAL09988	12	2	VALVE; CUT-OFF VALVE
SEN02065	13	1	SENSOR; TEMPERATURE
SEN02068	14	1	SENSOR; TEMPERATURE
COL16754	15	1	COIL; SOLNOID REVERSING VALVE
SEP00106	16	1	SEPARATOR; GAS-LIQUID SEPARATOR ASSY(07225017)
GRM01072	17	3	GROMMET; MOUNTS
COM10574	18	1	COMPRESSOR; ASSEMBLY AND FITTINGS
OLD00726	19	1	OVERLOAD; COMPRESSOR, PROTECTOR, EXTERNAL
PNL35513	20	1	PANEL; CONTROL BOX
CNT06861	21	1	CONTROL; PFC INDUCTANCE
VAL10709	22	1	VALVE; 4-WAY

PICKING CORRECT PARTS LIST

75012181

REV.
A

4TXMUP3 IS FOR NORTH AMERICA (NA), 4TXMEUP1 IS FOR LAR

WHEN ENTERING ONE OF THE BELOW FOUR (4) MODEL NUMBERS INTO
CATS OR, PARTS & SUPPLY, PLEASE PICK PARTS LIST 4TXMUP3 FOR
ORDERING PARTS IN NORTH AMERICA (WINDCHILL/ORACLE), AND PICK
PARTS LIST 4TXMEUP1 FOR ORDERING PARTS IN LATIN AMERICA (PEOPLE
SOFT).

4TXM6524A1030CA
4TXM6530A1040CA
4TXM6536A1040CB
4TXM6542A1050CB

All orderable Service Parts are identified for this product.

Parts that are not identified, will not be available to order.

This is a typical illustration. The unit in the field may not appear exactly as shown.

Parts List Number :4TXMUP3#4TXMUP3

Model Number :4TXM6518A1020CA

Part No.	Reference No.	Quantity	Description
75012181_4TXMUP3_242974~P	*		NOTES FOR PICKING PARTS LIST

PICKING CORRECT PARTS LIST

75012181

REV.
A

4TXMUP3 IS FOR NORTH AMERICA (NA), 4TXMEUP1 IS FOR LAR

WHEN ENTERING ONE OF THE BELOW FOUR (4) MODEL NUMBERS INTO
CATS OR, PARTS & SUPPLY, PLEASE PICK PARTS LIST 4TXMUP3 FOR
ORDERING PARTS IN NORTH AMERICA (WINDCHILL/ORACLE), AND PICK
PARTS LIST 4TXMEUP1 FOR ORDERING PARTS IN LATIN AMERICA (PEOPLE
SOFT).

4TXM6524A1030CA
4TXM6530A1040CA
4TXM6536A1040CB
4TXM6542A1050CB

All orderable Service Parts are identified for this product.

Parts that are not identified, will not be available to order.

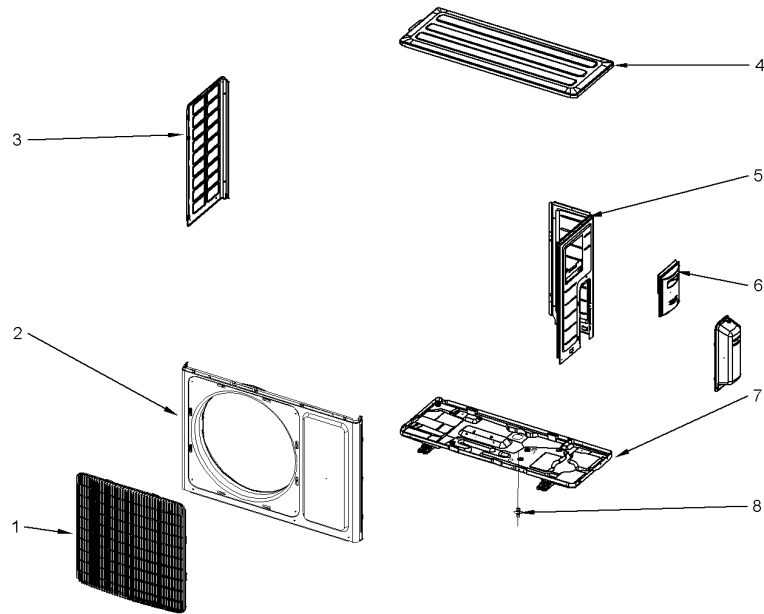
This is a typical illustration. The unit in the field may not appear exactly as shown.

PANEL SECTION

75012313

REV.
A

1.5 TON HEAT PUMP INVERTER MULTIPLE REFRIGERANT CIRCUITS



All orderable Service Parts are identified for this product.

Parts that are not identified, will not be available to order.

This is a typical illustration. The unit in the field may not appear exactly as shown.

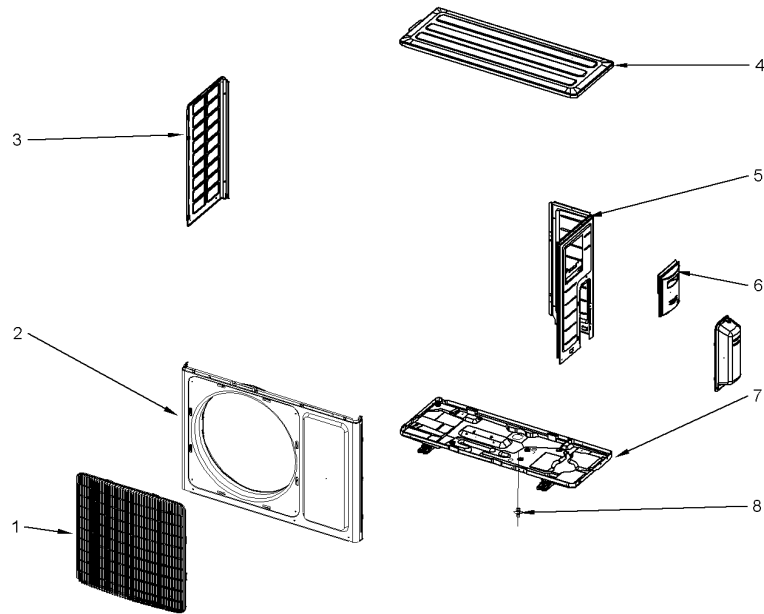
Part No.	Reference No.	Quantity	Description
75012313_4TXMUP3_366545~P	*		PANEL SECTION 1.5 TON PARTS LIST

PANEL SECTION

75012313

REV.
A

1.5 TON HEAT PUMP INVERTER MULTIPLE REFRIGERANT CIRCUITS



All orderable Service Parts are identified for this product.

Parts that are not identified, will not be available to order.

This is a typical illustration. The unit in the field may not appear exactly as shown.

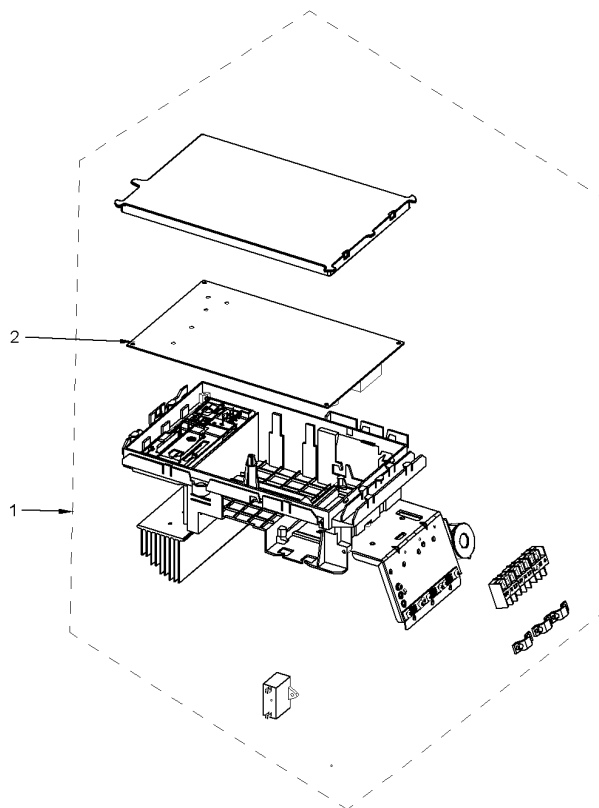
Part No.	Reference No.	Quantity	Description
BRD05939	*	1	BOARD; FILTER
PAI00420	*	1	PAINT; CUSTOM PAINT MATCH FOR MINI SPLIT
GRL01850	1	1	GRILL; FRONT
PNL31897	2	1	PANEL; CABINET
PLT05365	3	1	PLATE; LEFT SIDE
COV04856	4	1	COVER; TOP
HDL01360	6	1	HANDLE; HANDLE ASSY
PNL35517	7	1	PANEL; SUB ASSEMBLY
FTG01286	8	1	FITTING;DRAINAGE JOINT

ELECTRICAL BOX ASSEMBLY

75012315

REV
A

1.5 TON HEAT PUMP INVERTER MULTIPLE REFRIGERANT CIRCUITS



All orderable Service Parts are identified for this product.

Parts that are not identified, will not be available to order.

This is a typical illustration. The unit in the field may not appear exactly as shown.

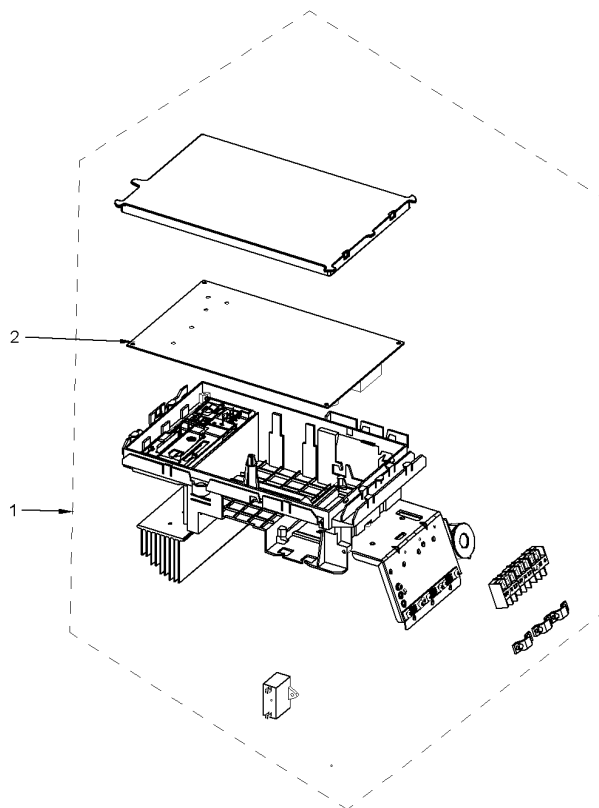
Part No.	Reference No.	Quantity	Description
75012315_4TXMUP3_366549~P	*		ELECTRICAL BOX ASSEMBLY 1.5 TON PARTS LIST

ELECTRICAL BOX ASSEMBLY

75012315

REV.
A

1.5 TON HEAT PUMP INVERTER MULTIPLE REFRIGERANT CIRCUITS



All orderable Service Parts are identified for this product.

Parts that are not identified, will not be available to order.

This is a typical illustration. The unit in the field may not appear exactly as shown.

Parts List Number :4TXMUP3#4TXMUP3

Model Number :4TXM6518A1020CA

Part No.	Reference No.	Quantity	Description
BRD03952	*	1	BOARD; TERMINAL BOARD(42010178)
BRD03953	*	1	BOARD; TERMINAL BOARD(420111041)
CPT02537	*	1	CAPACITOR; CBB61S
BOX03458	1	1	BOX; ELECTRIC ASSY
BRD05225	2	1	BOARD; OUTDOOR CONTROL