

Part No.	Reference No.	Quantity	Description
4TXMUP1_4TXMUP1_133360~P	*		4TXMUP1 PARTS LIST
75009916#4TXMUP1~S	*		ACCESSORIES
75009903#4TXMUP1~S	*		GENERAL ASSEMBLY
75009914#4TXMUP1~S	*		MODEL NOMENCLATURE

NO GRAPHIC AVAILABLE

75013702

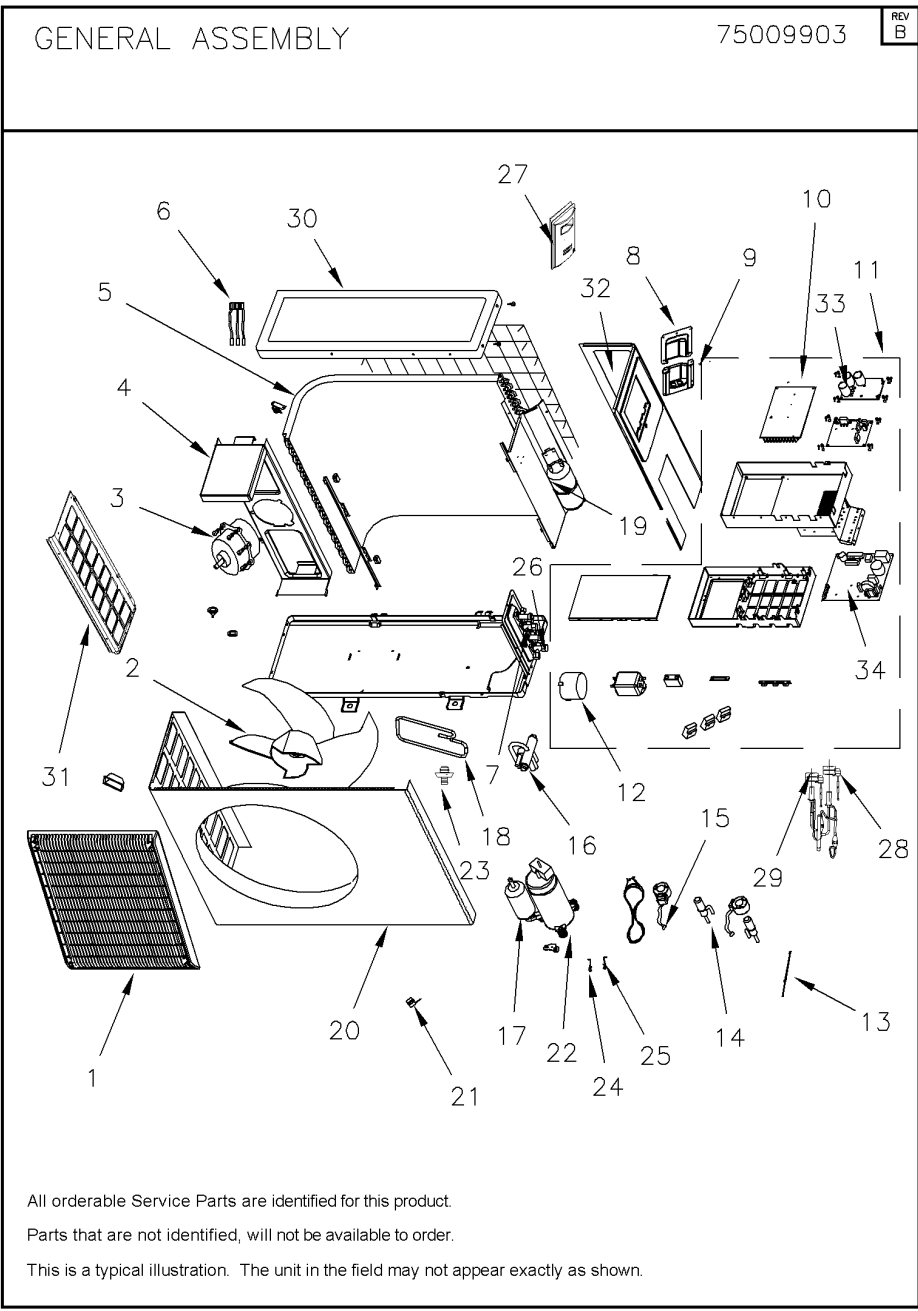
REV
A

**NO
GRAPHIC
AVAILABLE**

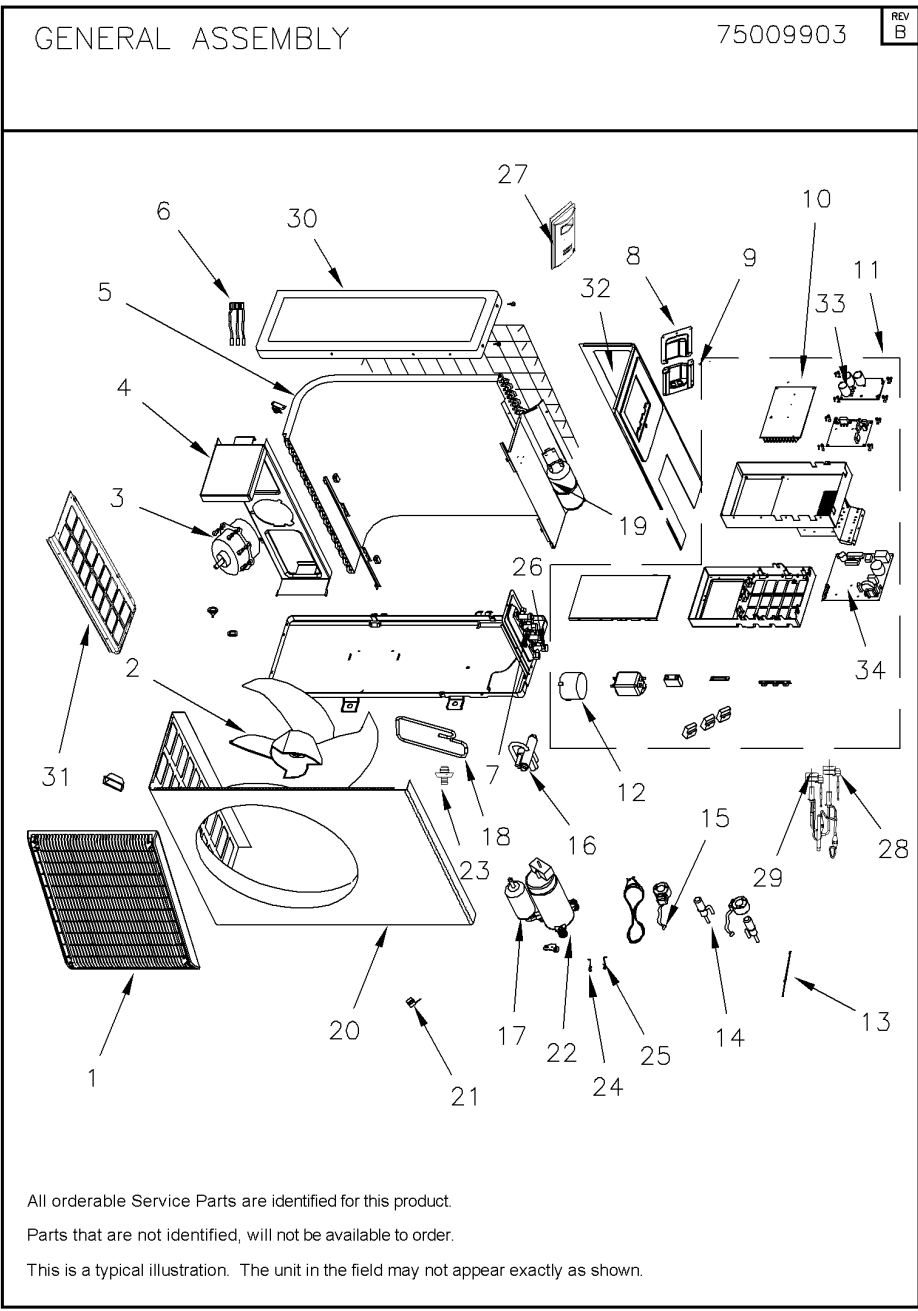
MODEL NOMENCLATURE	75009914	REV A
Gree Outdoor Unit – Inverter Multiple Refrigerant Circuits		
Model Number Example 4 T X K 6 5 1 8 A 1 0 2 0 B A 1 2 3 4 5 6 7 8 9 10 11 12 13 14 15		
Digit 1 = Refrigerant 4 = R-410a Digit 2 = Brand Name T = Mini Split Outdoor Unit Digit 3 = Functional Type X = Heat Pump Inverter Y = Cooling Only Inverter Digit 4 = Configuration Outdoor Unit K = Single Refrigerant Circuit M = Multiple Refrigerant Circuit Digit 5 = Efficiency Tier 6 - 16+ SEER 8 - 18+ SEER Digit 6 = Connection Type 5 - Flare Digit 7,8 = Nominal Capacity (Btu/h × 1,000) 09 = 9,000 Btu/h 12 = 12,000 Btu/h 18 = 18,000 Btu/h 24 = 24,000 Btu/h 30 = 30,000 Btu/h 36 = 36,000 Btu/h 42 = 42,000 Btu/h	Digit 9 = Major Development Sequence A = First Development Sequence B = Second Development Sequence C = Third Development Sequence Digit 10 = Electric Power Supply Characteristics 1 = 208-230/60/1 Digit 11 = Reserved for Future Use 0 = Not currently used Digit 12 = Number of Refrigerant Parts (Multi-split) 2 = 2 Port System 3 = 3 Port System 4 = 4 Port System 5 = 5 Port System Digit 13 = Reserved for Future Use 0 = Not currently used Digit 14 = Minor Design Sequence A = First Design Sequence B = Second Design Sequence C = Third Design Sequence Digit 15 = Service Digit A = First Sequence	

Part No.	Reference No.	Quantity	Description
75009914_4TXMUP1_133364~P	*		MODEL NOMENCLATURE PARTS LIST

MODEL NOMENCLATURE	75009914	REV A
Gree Outdoor Unit – Inverter Multiple Refrigerant Circuits		
Model Number Example 4 T X K 6 5 1 8 A 1 0 2 0 B A 1 2 3 4 5 6 7 8 9 10 11 12 13 14 15		
Digit 1 = Refrigerant 4 = R-410a Digit 2 = Brand Name T = Mini Split Outdoor Unit Digit 3 = Functional Type X = Heat Pump Inverter Y = Cooling Only Inverter Digit 4 = Configuration Outdoor Unit K = Single Refrigerant Circuit M = Multiple Refrigerant Circuit Digit 5 = Efficiency Tier 6 - 16+ SEER 8 - 18+ SEER Digit 6 = Connection Type 5 - Flare Digit 7,8 = Nominal Capacity (Btu/h × 1,000) 09 = 9,000 Btu/h 12 = 12,000 Btu/h 18 = 18,000 Btu/h 24 = 24,000 Btu/h 30 = 30,000 Btu/h 36 = 36,000 Btu/h 42 = 42,000 Btu/h	Digit 9 = Major Development Sequence A = First Development Sequence B = Second Development Sequence C = Third Development Sequence Digit 10 = Electric Power Supply Characteristics 1 = 208-230/60/1 Digit 11 = Reserved for Future Use 0 = Not currently used Digit 12 = Number of Refrigerant Parts (Multi-split) 2 = 2 Port System 3 = 3 Port System 4 = 4 Port System 5 = 5 Port System Digit 13 = Reserved for Future Use 0 = Not currently used Digit 14 = Minor Design Sequence A = First Design Sequence B = Second Design Sequence C = Third Design Sequence Digit 15 = Service Digit A = First Sequence	



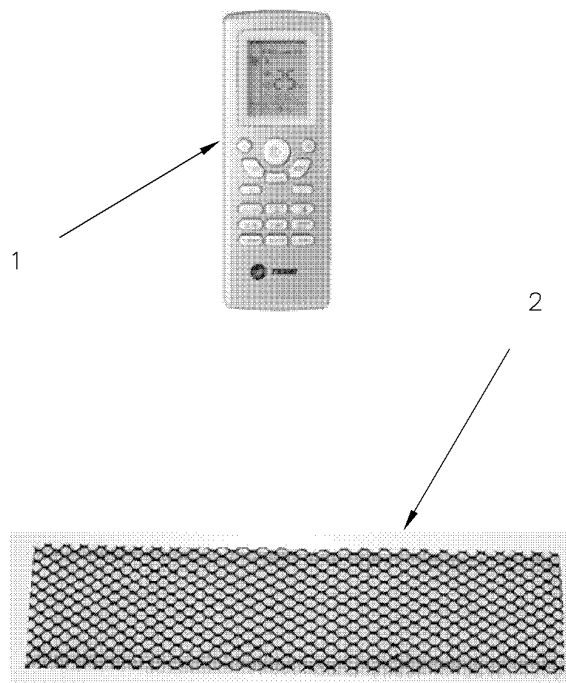
Part No.	Reference No.	Quantity	Description
75009903_4TXMUP1_364059~P	*		GENERAL ASSEMBLY PARTS LIST



Part No.	Reference No.	Quantity	Description
PAI00420	*	1	PAINT; CUSTOM PAINT MATCH FOR MINI SPLIT
GRL01850	1	1	GRILL; FRONT
FAN04745	2	1	FAN; AXIAL FLOW
MOT14674	3	1	MOTOR; FAN
SUP06186	4	1	SUPPORT; MOTOR SUB-ASSY
CDS01647	5	1	CONDENSER; ASSEMBLY
SEN01804	6	1	SENSOR; TEMPERATURE (INCLUDES; DISCHARGE TUBE SENSOR (50K), COIL TUBE SENSOR (20K) AND OUTDOOR AMBIENT SENSOR (15K))
VAL09362	7	1	VALVE; CUT-OFF LIQUID
BRD03952	8	1	BOARD; TERMINAL BOARD(42010178)
BRD03953	9	2	BOARD; TERMINAL BOARD(420111041)
EXC02410	10	1	EXCHANGER; HEAT SINK
CNT06859	11	1	CONTROL; ELECTRIC BOX ASSY
CNT06861	12	1	CONTROL; PFC INDUCTANCE
HTR12713	13	1	HEATER; ELECTRIC (COMPRESSOR)
VAL10704	14	1	VALVE; ELECTRONIC EXPANSION
VAL10702	15	1	VALVE; ASSEMBLY, 4-WAY
VAL12585	16	1	VALVE; 4-WAY ASSY
COM10574	17	1	COMPRESSOR; ASSEMBLY AND FITTINGS
TUB13215	18	1	TUBE; INHALATION TUBE SUB-ASSY
SEP00106	19	1	SEPARATOR; GAS-LIQUID SEPARATOR ASSY(07225017)
PNL33991	20	1	PANEL; FRONT, ASSY
COL16754	21	1	COIL; SOLNOID REVERSING VALVE
GRM01072	22	3	GROMMET; MOUNTS
FTG01286	23	1	FITTING;DRAINAGE JOINT
SEN02065	24	1	SENSOR; TEMPERATURE
SEN02068	25	1	SENSOR; TEMPERATURE
VAL09988	26	1	VALVE; CUT-OFF VALVE
COV05214	27	1	COVER; BIG HANDLE
FTG01267	28	1	FITTING; ELECTRIC EXPAND VALVE FITTING
FTG01266	29	1	FITTING; ELECTRIC EXPAND VALVE FITTING
COV04856	30	1	COVER; TOP
PLT05365	31	1	PLATE; LEFT SIDE
PLT05256	32	1	PLATE; RIGHT SIDE
CNT07494	33	1	CONTROL; PCB BOARD
BRD05225	34	1	BOARD; OUTDOOR CONTROL

G-NAR ACCESSORIES MULTI-SPLIT UNITS 75009916

REV
A



* NOT ILLUSTRATED
TYPICAL ILLUSTRATION

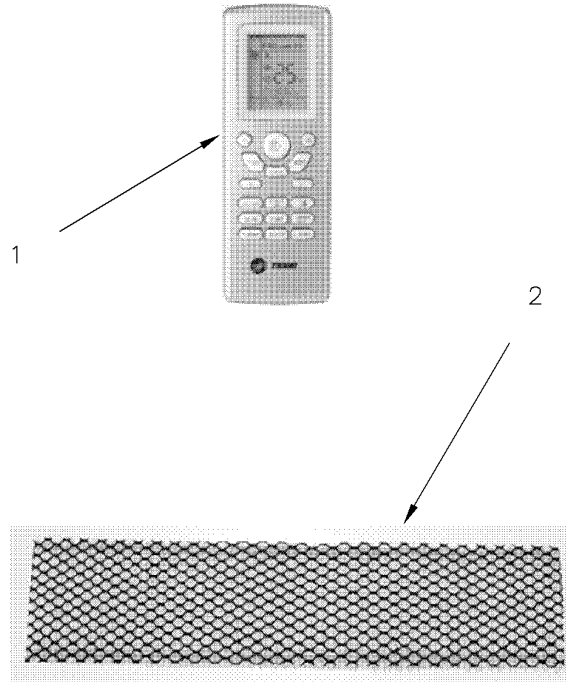
Parts List Number :4TXMUP1#4TXMUP1

Model Number :4TXM6518A1020BA

Part No.	Reference No.	Quantity	Description
75009916_4TXMUP1_133365~P	*		ACCESSORIES PARTS LIST

G-NAR ACCESSORIES MULTI-SPLIT UNITS 75009916

REV
A



* NOT ILLUSTRATED
TYPICAL ILLUSTRATION

Parts List Number :4TXMUP1#4TXMUP1

Model Number :4TXM6518A1020BA

Part No.	Reference No.	Quantity	Description
CNT06868	1	1	CONTROL; REMOTE CONTROLLER, TRANE BRAND
CNT06869	1	1	CONTROL; REMOTE CONTROLLER, AMERICAN STANDARD BRAND