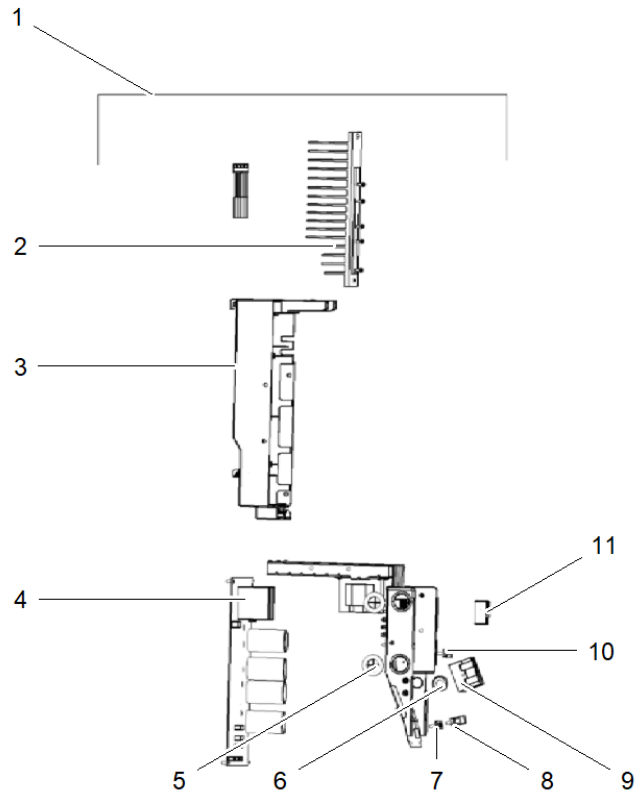


Parts List Number :0000118127

Model Number :4TXM2336A15NUAA

Part No.	Reference No.	Quantity	Description
0000118131~S	*		CONTROL PANEL ASSEMBLY
0000118129~S	*		GENERAL ASSEMBLY
0000118128~S	*		MODEL NUMBER DESCRIPTION
0000118130~S	*		VALVE ASSEMBLY

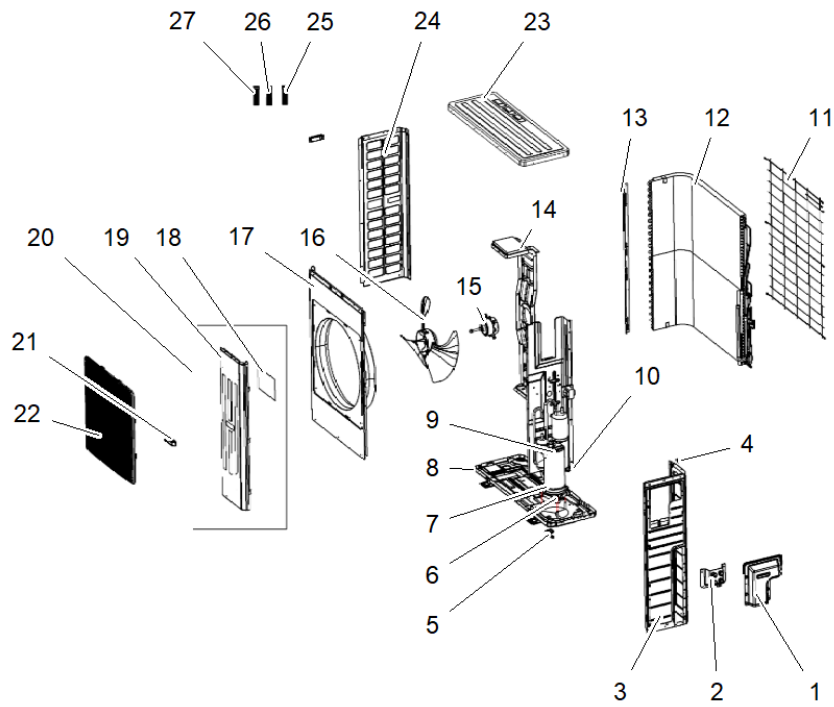
Part No.	Reference No.	Quantity	Description
0000014337~P	*		CONTROL PANEL ASSEMBLY



All orderable Service Parts are identified for this product.
Parts that are not identified, will not be available to order.
This is a typical illustration. The unit in the field may not appear exactly as shown.

Part No.	Reference No.	Quantity	Description
COV05849	1	1	COVER; ELECTRICAL BOX ASSY
BOX04062	2	1	BOX; ELECTRIC RADIATOR (HEAT SINK)
BOX04185	3	1	BOX; ELECTRIC
BRD07397	4	1	BOARD; MAIN
GKT04837	5	2	GASKET; CABLE
RNG02311	6	1	RING; MAGNETIC
GKT04835	7	1	GASKET; INSULATION
CMP01658	8	1	CLAMP; WIRING
BRD07255	9	1	BOARD; TERMINAL (ELECTRICAL BOX)
CMP01444	10	5	CLAMP; WIRE
BRD07256	11	5	BOARD; TERMINAL (ELECTRICAL BOX)

Part No.	Reference No.	Quantity	Description
0000014339~P	*		GENERAL ASSEMBLY



All orderable Service Parts are identified for this product.
Parts that are not identified, will not be available to order.
This is a typical illustration. The unit in the field may not appear exactly as shown.

Part No.	Reference No.	Quantity	Description
COV05068	1	1	COVER; POWER TERMINAL
COV05066	2	1	COVER; WIRING
PNL37020	3	1	PANEL; RIGHT SIDE
CMP01443	4	1	CLAMP; WIRING
FTG01286	5	1	FITTING;DRAINAGE JOINT
GKT05050	6	4	GASKET; COMPRESSOR
HTR71664	7	1	HEATER; ELECTRICAL (COMPRESSOR)
HTR71663	8	1	HEATER; ELECTRICAL
COM13349	9	1	COMPRESSOR; FITTINGS
BLT01072	10	2	BOLT; GAS-LIQUID SEPARATOR
GRL02029	11	1	GRILL; REAR
COL29627	12	1	COIL; OUTDOOR UNIT, AVAILBLE TO ORDER NOT STOCK
PLT06746	13	1	PLATE; CONDENSER SUPPORT
BRK05218	14	1	BRACKET; MOTOR SUPPORT ASSY
MOT19805	15	1	MOTOR; BRUSHLESS DC
FAN05385	16	1	FAN; AXIAL FLOW
PNL31519	17	1	PANEL; CABINET OF AIR CONDITIONER
COV05101	18	1	COVER;ELECTRIC BOX
PLT05672	19	1	PLATE; FRONT SIDE
PLT05260	20	1	PLATE; FRONT SIDE SUB ASSY
HDL01102	21	1	HANDLE; HANDLE(26235253)
GRL02288	22	1	GRILLE; FRONT
PNL29977	23	1	PANEL; TOP
PLT05237	24	1	PLATE; LEFT SIDE PLATE OF AIR CONDITIONER
SEN02983	25	1	SENSOR; TEMPERATURE
SEN02984	26	1	SENSOR; TEMPERATURE
SEN02986	27	1	SENSOR; TEMPERATURE

Part No.	Reference No.	Quantity	Description
0000014336~P	*		MODEL NUMBER DESCRIPTION

ULTRA LOW AMBIENT MULTI SPLIT
2.5 & 3 TON
NOMENCLATURE

75014146

REV
A

Example Model Number:
4TXM2330A14NUAA
1 - - - 5 - - - - 10 - - - - 15

Digits 1 – Refrigerant
4 = R-410A

Digits 2 – Brand
T = Outdoor Unit

Digits 3 – Functional Type
X = Heat Pump Inverter

Digits 4 – Configuration Outdoor Unit
M = Multiple Refrigerant Ports

Digits 5, 6 – Efficiency Tier
23 = Up To 23 SEER

Digits 7, 8 – Nominal Capacity (Btu/h x 1,000)
30 = 30,000 Btu/h
36 = 36,000 Btu/h

Digits 9 – Major Development Sequence
A = First Development Sequence

Digits 10 – Electric Power Supply Characteristics
1 = 208-230/60/1

Digits 11 – Number of Refrigerant Ports (Multi-Split Systems)
4 = Four Port System
5 = Five Port System

Digits 12 – Regional Markets Served (1:1 Systems)
N = North America Market

Digits 13 – Reserved for Future Use
U = Ultra Low Ambient

Digits 14 – Minor Design Sequence
A = First Design Sequence

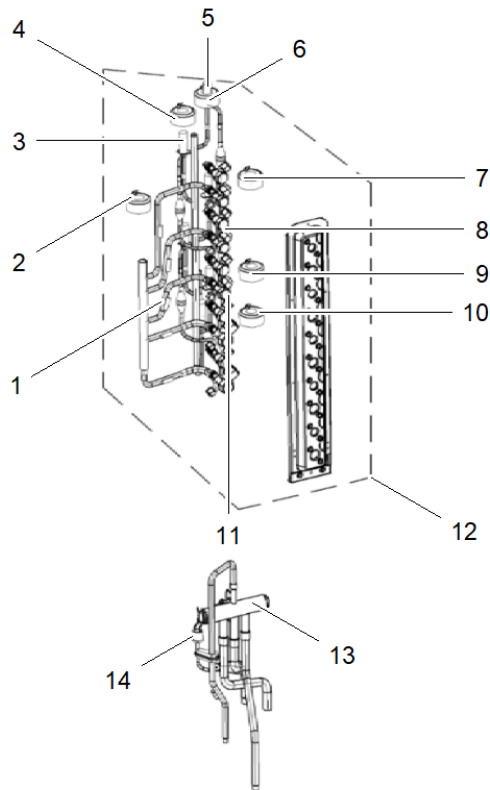
Digits 15 – Service Digit
A = First Sequence

All orderable Service Parts are identified for this product.

Parts that are not identified, will not be available to order.

This is a typical illustration. The unit in the field may not appear exactly as shown.

Part No.	Reference No.	Quantity	Description
0000014338~P	*		VALVE ASSEMBLY



All orderable Service Parts are identified for this product.
Parts that are not identified, will not be available to order.
This is a typical illustration. The unit in the field may not appear exactly as shown.

Part No.	Reference No.	Quantity	Description
SRA01026	1	5	STRAINER;
FTG01497	2	1	FITTING; ELECTRIC EXPAND VALVE
VAL19888	3	5	VALVE; ELECTRONIC EXPANSION
MOT19323	4	1	MOTOR; ELETRONIC EXPANSION VALVE STEP MOTOR
VAL19887	5	1	VALVE; ELECTRONIC EXPANSION
MOT19321	6	1	MOTOR; ELECTRONIC EXPANSION VALVE STEP MOTOR
FTG01496	7	1	FITTING; ELECTRIC EXPAND VALVE
VAL09362	8	5	VALVE; CUT-OFF LIQUID
FTG01352	9	1	FITTING; ELECTRIC EXPAND VALVE
MOT19322	10	1	MOTOR; ELECTRONIC EXPANSION VALVE STEP MOTOR
VAL09988	11	5	VALVE; CUT-OFF VALVE
SUP06767	12	1	SUPPORT; VALVE ASSY
VAL10708	13	1	VALVE; 4-WAY
SWT04454	14	1	SWITCH; PRESSURE (4-WAY VALVE)