

Part No.	Reference No.	Quantity	Description
4TXMUP4_4TXMUP4_353446~P	*		4TXMUP4 PARTS LIST
75013658#4TXMUP4~S	*		ELECTRICAL BOX ASSEMBLY SECTION
75013657#4TXMUP4~S	*		GENERAL ASSEMBLY SECTION
75013659#4TXMUP4~S	*		MODEL NOMENCLATURE
75013656#4TXMUP4~S	*		PANEL SECTION

NO GRAPHIC AVAILABLE

75013702

REV
A

**NO
GRAPHIC
AVAILABLE**

ULTRA LOW AMBIENT MULTI SPLIT
1.5 & 2.0 TON
NOMENCLATURE

75013659

REV
A

Example Model Number:
4TXM2318A12NUAA
1 - - - 5 - - - 10 - - - 15

Digits 1 – Refrigerant
4 = R-410A

Digits 2 – Brand
T = Outdoor Unit

Digits 3 – Functional Type
X = Heat Pump Inverter

Digits 4 – Configuration Outdoor Unit
M = Multiple Refrigerant Ports

Digits 5, 6 – Efficiency Tier
23 = Up To 23 SEER

Digits 7, 8 – Nominal Capacity (Btu/h x 1,000)
18 = 18,000 Btu/h
24 = 24,000 Btu/h

Digits 9 – Major Development Sequence
A = First Development Sequence

Digits 10 – Electric Power Supply Characteristics
1 = 208-230/60/1

Digits 11 – Number of Refrigerant Ports (Multi-Split Systems)
2 = Two Port System
3 = Three Port System

Digits 12 – Regional Markets Served (1:1 Systems)
N = North America Market

Digits 13 – Reserved for Future Use
U = Ultra Low Ambient

Digits 14 – Minor Design Sequence
A = First Design Sequence

Digits 15 – Service Digit
A = First Sequence

All orderable Service Parts are identified for this product.

Parts that are not identified, will not be available to order.

This is a typical illustration. The unit in the field may not appear exactly as shown.

Part No.	Reference No.	Quantity	Description
75013659_4TXMUP4_353450~P	*		MODEL NOMENCLATURE PARTS LIST

ULTRA LOW AMBIENT MULTI SPLIT

75013659

REV
A

1.5 & 2.0 TON
NOMENCLATURE

Example Model Number:
4TXM2318A12NUAA
1 - - - 5 - - - 10 - - - 15

Digits 1 – Refrigerant
4 = R-410A

Digits 2 – Brand
T = Outdoor Unit

Digits 3 – Functional Type
X = Heat Pump Inverter

Digits 4 – Configuration Outdoor Unit
M = Multiple Refrigerant Ports

Digits 5, 6 – Efficiency Tier
23 = Up To 23 SEER

Digits 7, 8 – Nominal Capacity (Btu/h x 1,000)
18 = 18,000 Btu/h
24 = 24,000 Btu/h

Digits 9 – Major Development Sequence
A = First Development Sequence

Digits 10 – Electric Power Supply Characteristics
1 = 208-230/60/1

Digits 11 – Number of Refrigerant Ports (Multi-Split Systems)
2 = Two Port System
3 = Three Port System

Digits 12 – Regional Markets Served (1:1 Systems)
N = North America Market

Digits 13 – Reserved for Future Use
U = Ultra Low Ambient

Digits 14 – Minor Design Sequence
A = First Design Sequence

Digits 15 – Service Digit
A = First Sequence

All orderable Service Parts are identified for this product.

Parts that are not identified, will not be available to order.

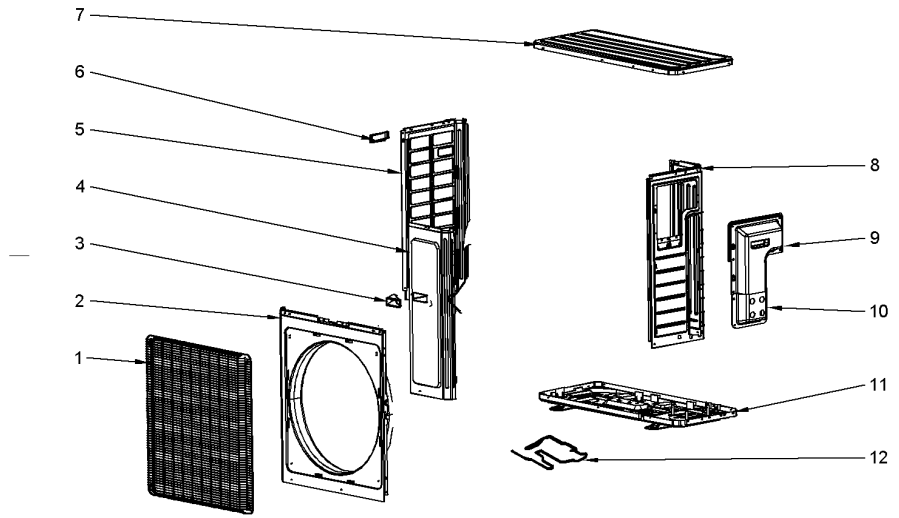
This is a typical illustration. The unit in the field may not appear exactly as shown.

ULTRA LOW AMBIENT MULTI SPLIT

75013656

REV
A

1.5 & 2.0 TON
PANEL SECTION



All orderable Service Parts are identified for this product.

Parts that are not identified, will not be available to order.

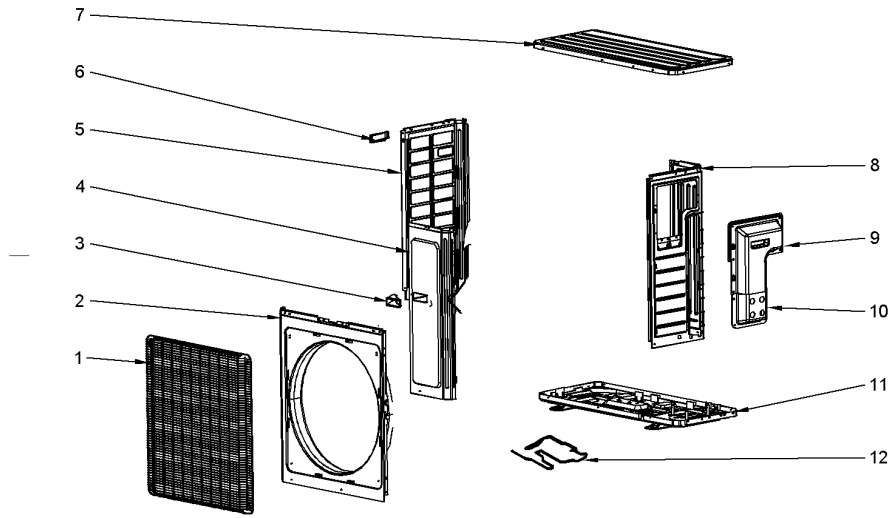
This is a typical illustration. The unit in the field may not appear exactly as shown.

Part No.	Reference No.	Quantity	Description
75013656_4TXMUP4_353447~P	*		PANEL SECTION PARTS LIST

ULTRA LOW AMBIENT MULTI SPLIT
1.5 & 2.0 TON
PANEL SECTION

75013656

REV
A



All orderable Service Parts are identified for this product.

Parts that are not identified, will not be available to order.

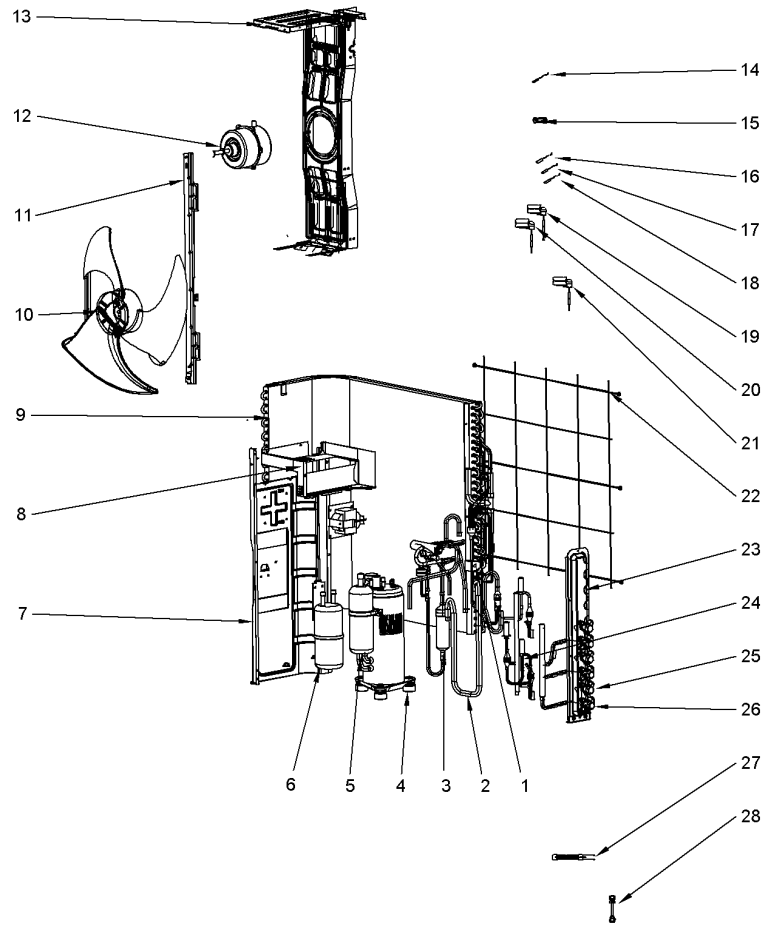
This is a typical illustration. The unit in the field may not appear exactly as shown.

Part No.	Reference No.	Quantity	Description
COV05752	*	1	COVER; SERVICE VALVE
COV05753	*	1	COVER; BASE PAN HEATER
PAD01562	*	1	PAD; FOAM
GRL02218	1	1	GRILLE; FRONT OUTDOOR FAN
PNL36720	2	1	PANEL; FRONT ASSY (FAN TROUT)
HDL01293	3	1	HANDLE;
PNL36722	4	1	PANEL; SERVICE ACCESS
PNL29543	5	1	PANEL; LEFT SIDE PLATE
PNL36723	7	1	PANEL; TOP COVER SUB ASSY
PNL36721	8	1	PANEL; RIGHT SIDE
COV05068	9	1	COVER; POWER TERMINAL
COV05066	10	1	COVER; WIRING
BAS03160	11	1	BASE;
HTR18482	12	1	HEATER; ELECTRICAL (CHASSIS)

ULTRA LOW AMBIENT MULTI SPLIT
1.5 & 2.0 TON
GENERAL ASSEMBLY SECTION

75013657

REV
A



All orderable Service Parts are identified for this product.

Parts that are not identified, will not be available to order.

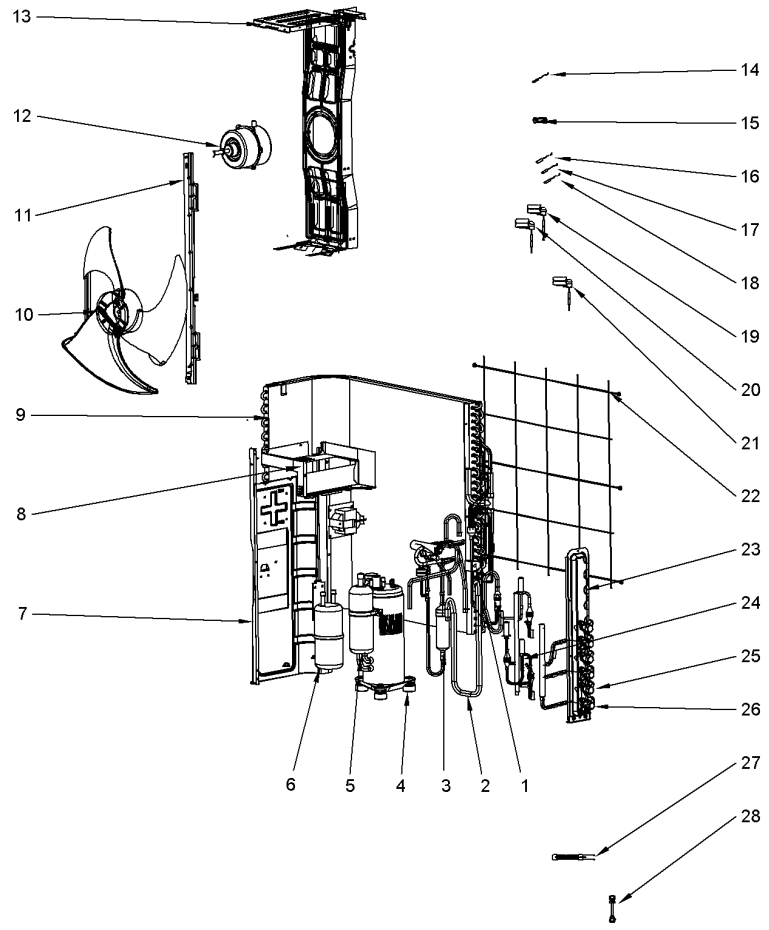
This is a typical illustration. The unit in the field may not appear exactly as shown.

Part No.	Reference No.	Quantity	Description
75013657_4TXMUP4_353448~P	*		GENERAL ASSEMBLY SECTION PARTS LIST

ULTRA LOW AMBIENT MULTI SPLIT
1.5 & 2.0 TON
GENERAL ASSEMBLY SECTION

75013657

REV
A



All orderable Service Parts are identified for this product.

Parts that are not identified, will not be available to order.

This is a typical illustration. The unit in the field may not appear exactly as shown.

Parts List Number :4TXMUP4#4TXMUP4

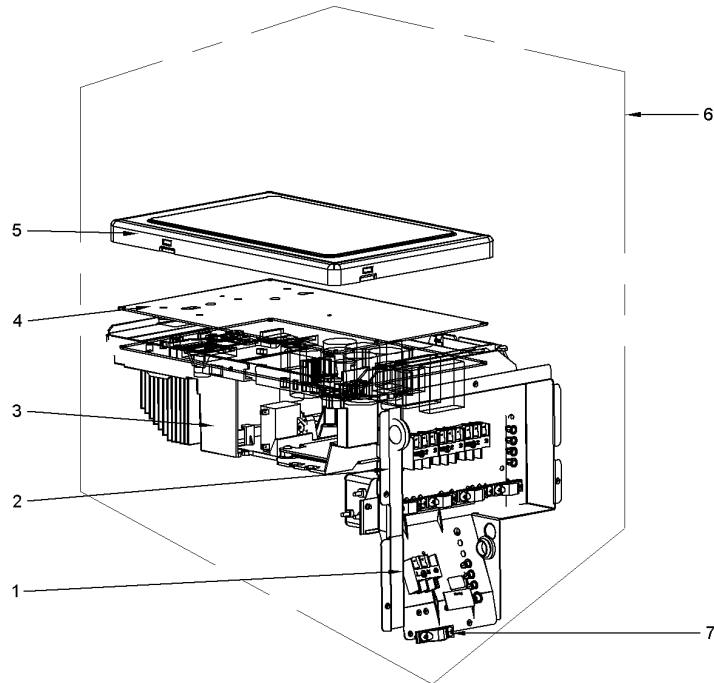
Model Number :4TXM2324A13NUAA

Part No.	Reference No.	Quantity	Description
CMP01636	*	1	CLAMP; TEMPERATURE SENSOR CLAMP
COL29250	*	1	COIL; MAGNET COIL
COL29251	*	1	COIL; MAGNET COIL
CON02117	*	1	CONNECTOR; TUBE CONNECTOR SUB-ASSY
EVP02711	*	1	EVAPORATOR; FLASH EVAPORATOR SUB-ASSY
GKT04837	*	1	GASKET; CABLE
MOT19355	*	1	NO DESCRIPTION AVAILABLE
SUP06622	*	1	SUPPORT; TEMPERATURE SENSOR SUPPORT
SWT04426	*	1	SWITCH; PRESSURE SWITCH YKB-4.4/3.8-C
COL29184	1	1	COIL; SOLENOID
VAL19458	3	1	VALVE; REVERSING
COM12776	5	1	COMPRESSOR; FITTINGS
SEP00268	6	1	SEPERATOR; GAS-LIQUID
BRD07109	7	1	BOARD;
BOX02885	8	1	BOX; ELECTRIC
COL29183	9	1	COIL; OUTDOOR UNIT, AVAILBLE TO ORDER NOT STOCK
FAN06219	10	1	FAN; AXIAL FLOW SUB ASSY
PLT05362	11	1	PLATE; CONDENSER SUPPORT
MOT19324	12	1	MOTOR; OUTDOOR FAN
BRK04800	13	1	BRACKET; MOTOR SUPPORT ASSY
SEN02068	14	1	SENSOR; TEMPERATURE
CMP01443	15	1	CLAMP; WIRING
SEN02449	16	1	SENSOR;
SEN02450	17	1	SENSOR;
SEN01804	18	1	SENSOR; TEMPERATURE (INCLUDES; DISCHARGE TUBE SENSOR (50K), COIL TUBE SENSOR (20K) AND OUTDOOR AMBIENT SENSOR (15K))
FTG01352	19	1	FITTING; ELECTRIC EXPAND VALVE
MOT19321	20	1	MOTOR; ELECTRONIC EXPANSION VALVE STEP MOTOR
MOT19322	21	1	MOTOR; ELECTRONIC EXPANSION VALVE STEP MOTOR
GRL02028	22	1	GRILL; REAR
SUP06590	23	1	SUPPORT; VALVE ASSY
VAL19469	24	1	VALVE; ELECTRONIC EXPANSION ASSY
VAL09362	25	1	VALVE; CUT-OFF LIQUID
VAL09988	26	1	VALVE; CUT-OFF VALVE
HTR17460	27	1	HEATER; ELECTRIC CRANKCASE COMPRESSOR (BELLY BAND), WHITE
TUB12686	28	1	TUBE; TUBE CONNECTOR SUB-ASSY(06643008)

ULTRA LOW AMBIENT MULTI SPLIT
1.5 & 2.0 TON
ELECTRICAL BOX SECTION

75013658

REV
A



All orderable Service Parts are identified for this product.

Parts that are not identified, will not be available to order.

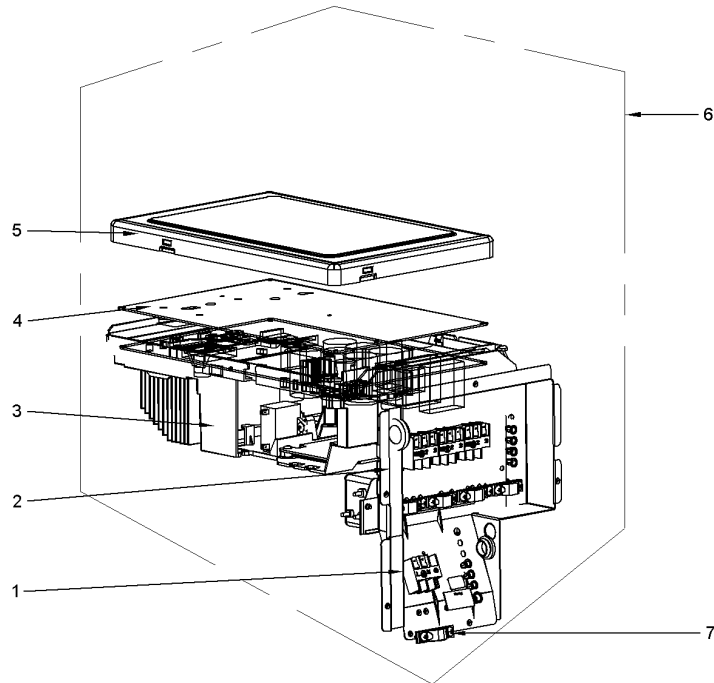
This is a typical illustration. The unit in the field may not appear exactly as shown.

Part No.	Reference No.	Quantity	Description
75013658_4TXMUP4_353449~P	*		ELECTRICAL BOX ASSEMBLY SECTION PARTS LIST

ULTRA LOW AMBIENT MULTI SPLIT
1.5 & 2.0 TON
ELECTRICAL BOX SECTION

75013658

REV
A



All orderable Service Parts are identified for this product.

Parts that are not identified, will not be available to order.

This is a typical illustration. The unit in the field may not appear exactly as shown.

Parts List Number :4TXMUP4#4TXMUP4

Model Number :4TXM2324A13NUAA

Part No.	Reference No.	Quantity	Description
BRD07111	1	1	BOARD; TERMINAL
PIP02359	2	1	PIPE; CONNECTION SUPPORT
BOX02888	3	1	BOX; ELECTRIC
BRD07112	4	1	BOARD; MAIN
COV05069	5	1	COVER; ELECTRICAL
BOX03968	6	1	BOX; ELECTRIC ASSY
CMP01444	7	1	CLAMP; WIRE