

| Part No. | Reference No. | Quantity | Description |
|--------------------------|----------------------|-----------------|---------------------------------|
| 4TXMUP4_4TXMUP4_353446~P | * | | 4TXMUP4 PARTS LIST |
| 75013658#4TXMUP4~S | * | | ELECTRICAL BOX ASSEMBLY SECTION |
| 75013657#4TXMUP4~S | * | | GENERAL ASSEMBLY SECTION |
| 75013659#4TXMUP4~S | * | | MODEL NOMENCLATURE |
| 75013656#4TXMUP4~S | * | | PANEL SECTION |

NO GRAPHIC AVAILABLE

75013702

REV
A

**NO
GRAPHIC
AVAILABLE**

ULTRA LOW AMBIENT MULTI SPLIT
1.5 & 2.0 TON
NOMENCLATURE

75013659

REV
A

Example Model Number:
4TXM2318A12NUAA
1 - - - 5 - - - 10 - - - 15

Digits 1 – Refrigerant
4 = R-410A

Digits 2 – Brand
T = Outdoor Unit

Digits 3 – Functional Type
X = Heat Pump Inverter

Digits 4 – Configuration Outdoor Unit
M = Multiple Refrigerant Ports

Digits 5, 6 – Efficiency Tier
23 = Up To 23 SEER

Digits 7, 8 – Nominal Capacity (Btu/h x 1,000)
18 = 18,000 Btu/h
24 = 24,000 Btu/h

Digits 9 – Major Development Sequence
A = First Development Sequence

Digits 10 – Electric Power Supply Characteristics
1 = 208-230/60/1

Digits 11 – Number of Refrigerant Ports (Multi-Split Systems)
2 = Two Port System
3 = Three Port System

Digits 12 – Regional Markets Served (1:1 Systems)
N = North America Market

Digits 13 – Reserved for Future Use
U = Ultra Low Ambient

Digits 14 – Minor Design Sequence
A = First Design Sequence

Digits 15 – Service Digit
A = First Sequence

All orderable Service Parts are identified for this product.

Parts that are not identified, will not be available to order.

This is a typical illustration. The unit in the field may not appear exactly as shown.

Parts List Number :4TXMUP4#4TXMUP4

Model Number :4TXM2318A12NUAA

| Part No. | Reference No. | Quantity | Description |
|---------------------------|---------------|----------|-------------------------------|
| 75013659_4TXMUP4_353450~P | * | | MODEL NOMENCLATURE PARTS LIST |

ULTRA LOW AMBIENT MULTI SPLIT

75013659

REV
A

1.5 & 2.0 TON
NOMENCLATURE

Example Model Number:
4TXM2318A12NUAA
1 - - - 5 - - - 10 - - - 15

Digits 1 – Refrigerant
4 = R-410A

Digits 2 – Brand
T = Outdoor Unit

Digits 3 – Functional Type
X = Heat Pump Inverter

Digits 4 – Configuration Outdoor Unit
M = Multiple Refrigerant Ports

Digits 5, 6 – Efficiency Tier
23 = Up To 23 SEER

Digits 7, 8 – Nominal Capacity (Btu/h x 1,000)
18 = 18,000 Btu/h
24 = 24,000 Btu/h

Digits 9 – Major Development Sequence
A = First Development Sequence

Digits 10 – Electric Power Supply Characteristics
1 = 208-230/60/1

Digits 11 – Number of Refrigerant Ports (Multi-Split Systems)
2 = Two Port System
3 = Three Port System

Digits 12 – Regional Markets Served (1:1 Systems)
N = North America Market

Digits 13 – Reserved for Future Use
U = Ultra Low Ambient

Digits 14 – Minor Design Sequence
A = First Design Sequence

Digits 15 – Service Digit
A = First Sequence

All orderable Service Parts are identified for this product.

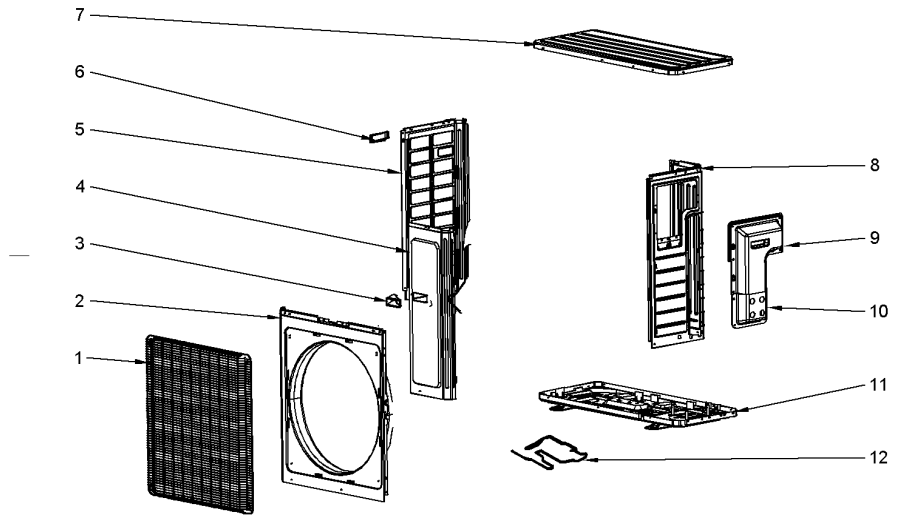
Parts that are not identified, will not be available to order.

This is a typical illustration. The unit in the field may not appear exactly as shown.

ULTRA LOW AMBIENT MULTI SPLIT
1.5 & 2.0 TON
PANEL SECTION

75013656

REV
A



All orderable Service Parts are identified for this product.

Parts that are not identified, will not be available to order.

This is a typical illustration. The unit in the field may not appear exactly as shown.

Parts List Number :4TXMUP4#4TXMUP4

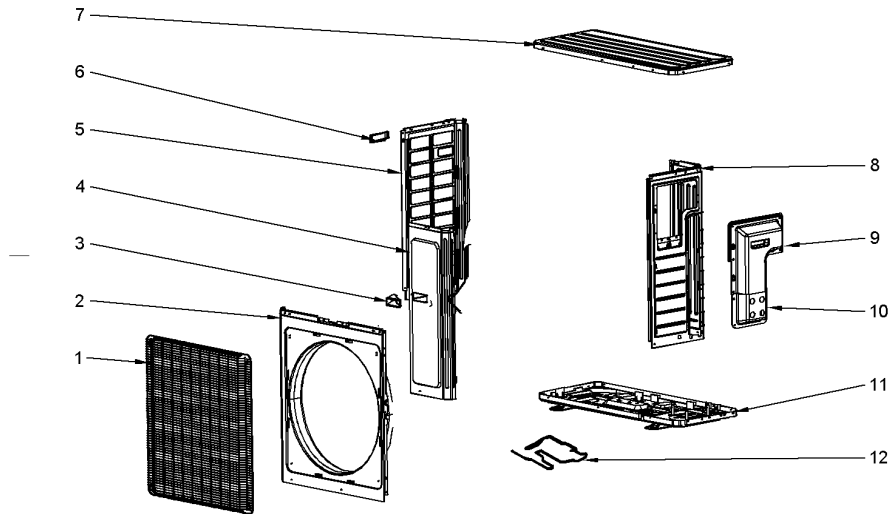
Model Number :4TXM2318A12NUAA

| Part No. | Reference No. | Quantity | Description |
|---------------------------|---------------|----------|--------------------------|
| 75013656_4TXMUP4_366324~P | * | | PANEL SECTION PARTS LIST |

ULTRA LOW AMBIENT MULTI SPLIT
1.5 & 2.0 TON
PANEL SECTION

75013656

REV
A



All orderable Service Parts are identified for this product.

Parts that are not identified, will not be available to order.

This is a typical illustration. The unit in the field may not appear exactly as shown.

PANEL SECTION PARTS LIST

Parts List Number :4TXMUP4#4TXMUP4

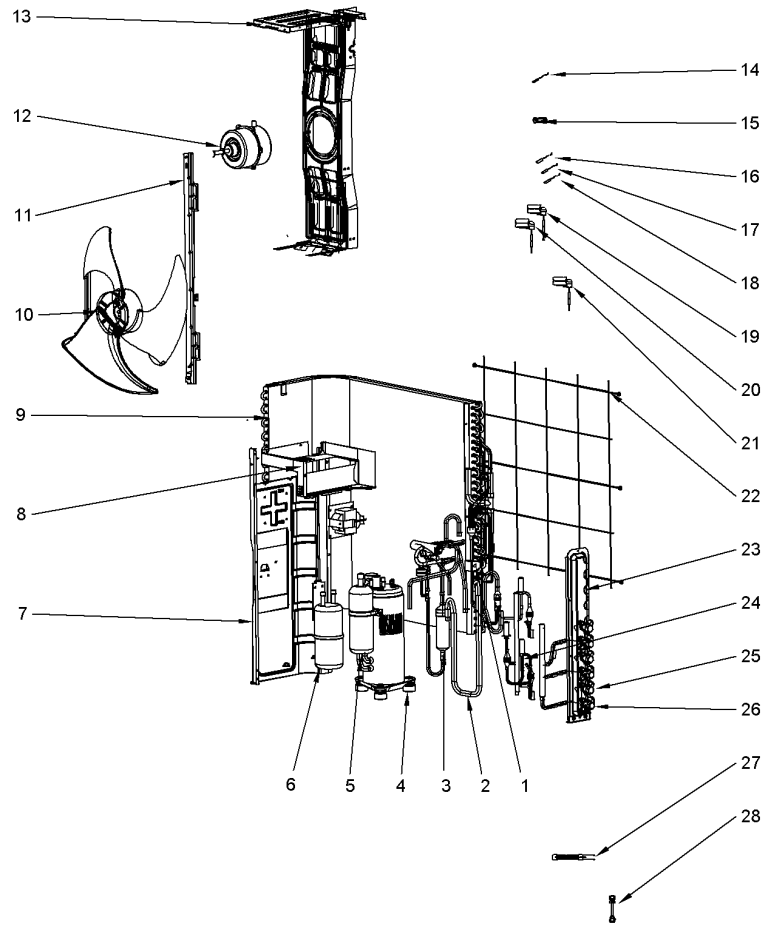
Model Number :4TXM2318A12NUAA

| Part No. | Reference No. | Quantity | Description |
|----------|---------------|----------|-------------------------------|
| COV05752 | * | 1 | COVER; SERVICE VALVE |
| PAD01562 | * | 1 | PAD; FOAM |
| GRL02218 | 1 | 1 | GRILLE; FRONT OUTDOOR FAN |
| PNL36720 | 2 | 1 | PANEL; FRONT ASSY (FAN TROUT) |
| HDL01293 | 3 | 1 | HANDLE; |
| PNL36722 | 4 | 1 | PANEL; SERVICE ACCESS |
| PNL29543 | 5 | 1 | PANEL; LEFT SIDE PLATE |
| PNL36723 | 7 | 1 | PANEL; TOP COVER SUB ASSY |
| PNL36721 | 8 | 1 | PANEL; RIGHT SIDE |
| COV05068 | 9 | 1 | COVER; POWER TERMINAL |
| COV05066 | 10 | 1 | COVER; WIRING |
| BAS03160 | 11 | 1 | BASE; |
| HTR18482 | 12 | 1 | HEATER; ELECTRICAL (CHASSIS) |

ULTRA LOW AMBIENT MULTI SPLIT
1.5 & 2.0 TON
GENERAL ASSEMBLY SECTION

75013657

REV
A



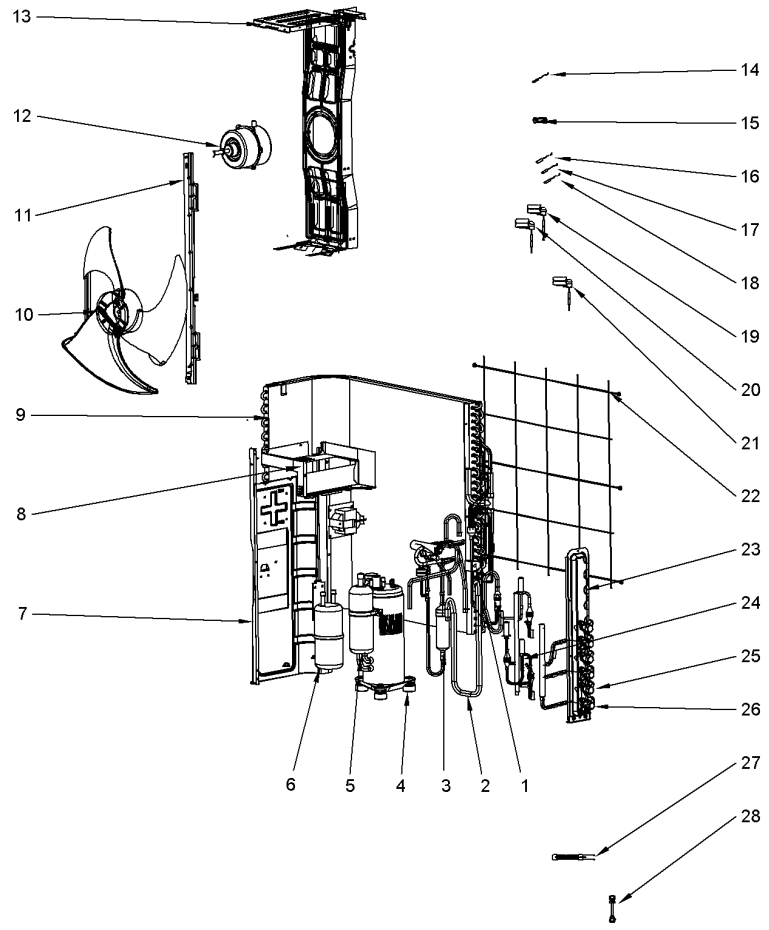
All orderable Service Parts are identified for this product.
Parts that are not identified, will not be available to order.
This is a typical illustration. The unit in the field may not appear exactly as shown.

| Part No. | Reference No. | Quantity | Description |
|---------------------------|---------------|----------|-------------------------------------|
| 75013657_4TXMUP4_366325~P | * | | GENERAL ASSEMBLY SECTION PARTS LIST |

ULTRA LOW AMBIENT MULTI SPLIT
1.5 & 2.0 TON
GENERAL ASSEMBLY SECTION

75013657

REV
A



All orderable Service Parts are identified for this product.

Parts that are not identified, will not be available to order.

This is a typical illustration. The unit in the field may not appear exactly as shown.

Parts List Number :4TXMUP4#4TXMUP4

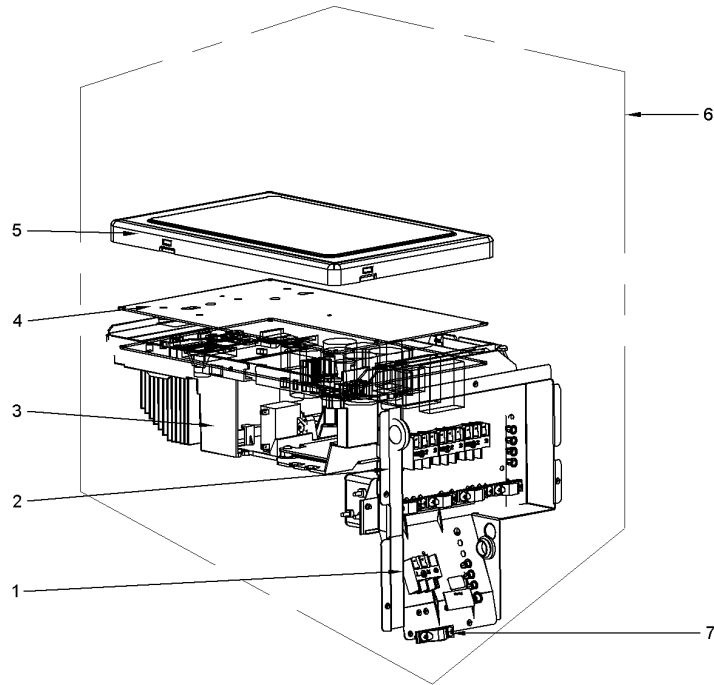
Model Number :4TXM2318A12NUAA

| Part No. | Reference No. | Quantity | Description |
|----------|---------------|----------|--|
| CMP01636 | * | 1 | CLAMP; TEMPERATURE SENSOR CLAMP |
| COL29250 | * | 1 | COIL; MAGNET COIL |
| COL29251 | * | 1 | COIL; MAGNET COIL |
| EVP02711 | * | 1 | EVAPORATOR; FLASH EVAPORATOR SUB-ASSY |
| GKT05037 | * | 1 | GASKET; STOP TURNING GASKET |
| GKT05038 | * | 1 | GASKET; GASKET 10 |
| SUP06622 | * | 1 | SUPPORT; TEMPERATURE SENSOR SUPPORT |
| SWT04426 | * | 1 | SWITCH; PRESSURE SWITCH YKB-4.4/3.8-C |
| WIR09924 | * | 1 | WIRE; DIAGRAM, CONNECTION |
| COL29184 | 1 | 1 | COIL; SOLENOID |
| VAL19458 | 3 | 1 | VALVE; REVERSING |
| COM12776 | 5 | 1 | COMPRESSOR; FITTINGS |
| SEP00268 | 6 | 1 | SEPERATOR; GAS-LIQUID |
| BRD07109 | 7 | 1 | BOARD; |
| BOX02885 | 8 | 1 | BOX; ELECTRIC |
| COL29183 | 9 | 1 | COIL; OUTDOOR UNIT, AVAILBLE TO ORDER NOT STOCK |
| FAN06219 | 10 | 1 | FAN; AXIAL FLOW SUB ASSY |
| PLT05362 | 11 | 1 | PLATE; CONDENSER SUPPORT |
| MOT19324 | 12 | 1 | MOTOR; OUTDOOR FAN |
| BRK04800 | 13 | 1 | BRACKET; MOTOR SUPPORT ASSY |
| SEN02068 | 14 | 1 | SENSOR; TEMPERATURE |
| CMP01443 | 15 | 1 | CLAMP; WIRING |
| SEN02449 | 16 | 1 | SENSOR; |
| SEN02803 | 17 | 1 | SENSOR; SUCTION TUBE |
| SEN01804 | 18 | 1 | SENSOR; TEMPERATURE (INCLUDES; DISCHARGE TUBE SENSOR (50K), COIL TUBE SENSOR (20K) AND OUTDOOR AMBIENT SENSOR (15K)) |
| MOT19322 | 19 | 1 | MOTOR; ELECTRONIC EXPANSION VALVE STEP MOTOR |
| MOT19321 | 20 | 1 | MOTOR; ELECTRONIC EXPANSION VALVE STEP MOTOR |
| FTG01352 | 21 | 1 | FITTING; ELECTRIC EXPAND VALVE |
| GRL02028 | 22 | 1 | GRILL; REAR |
| SUP06461 | 23 | 1 | SUPPORT; VALVE ASSY, EEV CUTOFF VALVE |
| VAL19457 | 24 | 1 | VALVE; ELECTRONIC EXPANSION |
| VAL09362 | 25 | 1 | VALVE; CUT-OFF LIQUID |
| VAL09988 | 26 | 1 | VALVE; CUT-OFF VALVE |
| HTR17460 | 27 | 1 | HEATER; ELECTRIC CRANKCASE COMPRESSOR (BELLY BAND), WHITE |
| TUB12686 | 28 | 1 | TUBE; TUBE CONNECTOR SUB-ASSY(06643008) |

ULTRA LOW AMBIENT MULTI SPLIT
1.5 & 2.0 TON
ELECTRICAL BOX SECTION

75013658

REV
A



All orderable Service Parts are identified for this product.

Parts that are not identified, will not be available to order.

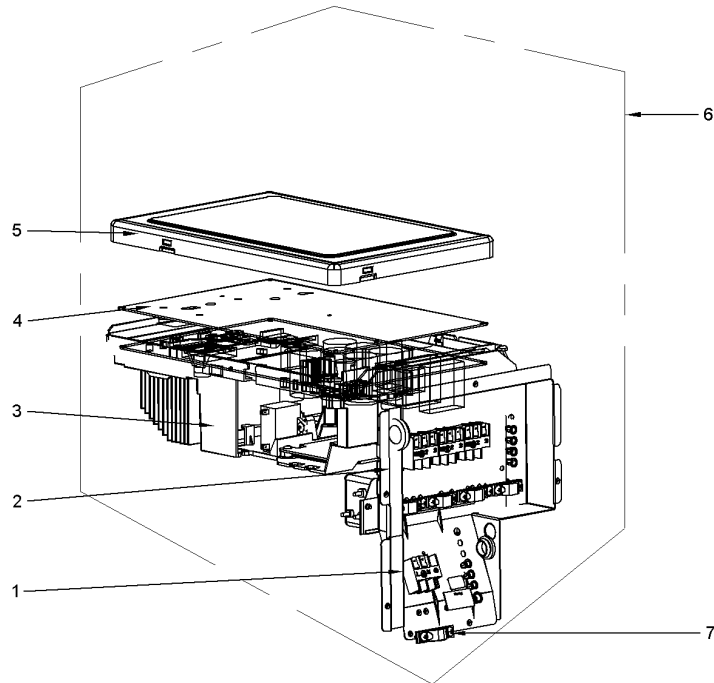
This is a typical illustration. The unit in the field may not appear exactly as shown.

| Part No. | Reference No. | Quantity | Description |
|---------------------------|---------------|----------|--|
| 75013658_4TXMUP4_366326~P | * | | ELECTRICAL BOX ASSEMBLY SECTION PARTS LIST |

ULTRA LOW AMBIENT MULTI SPLIT
1.5 & 2.0 TON
ELECTRICAL BOX SECTION

75013658

REV
A



All orderable Service Parts are identified for this product.

Parts that are not identified, will not be available to order.

This is a typical illustration. The unit in the field may not appear exactly as shown.

Parts List Number :4TXMUP4#4TXMUP4

Model Number :4TXM2318A12NUAA

| Part No. | Reference No. | Quantity | Description |
|-----------------|----------------------|-----------------|---|
| BRD07111 | 1 | 1 | BOARD; TERMINAL |
| PIP02359 | 2 | 1 | PIPE; CONNECTION SUPPORT |
| BOX02888 | 3 | 1 | BOX; ELECTRIC |
| BRD07110 | 4 | 1 | BOARD; MAIN |
| COV05069 | 5 | 1 | COVER; ELECTRICAL |
| BOX03966 | 6 | 1 | BOX; ELECTRICAL CONTROL BOX ASSY INCLUDES MAIN BOARD, TERMINAL STRIPS, HEAT SINK, BOX COVER |
| CMP01444 | 7 | 1 | CLAMP; WIRE |