

<b>Part No.</b>	<b>Reference No.</b>	<b>Quantity</b>	<b>Description</b>
75011389#4TXMUP2~S	*		2.0 TON ELECTRIC BOX ASSEMBLY
75011390#4TXMUP2~S	*		2.0 TON FAN, ELECTRIC HEATER & PANELS
75011391#4TXMUP2~S	*		2.0 TON REFRIGERATION & MISCELLANEOUS PARTS
4TXMUP2_4TXMUP2_237738~P	*		4TXMUP2 PARTS LIST
75011403#4TXMUP2~S	*		MODEL NOMENCLATURE

NO GRAPHIC AVAILABLE

75013702

REV  
A

**NO  
GRAPHIC  
AVAILABLE**

MODEL NUMBER DESCRIPTION	75011403	REV. A
22 SEER		
<i>Example Model Number:</i> <b>4TXM2218A12N0AA</b> <small>1 - - - - 5 - - - - 10 - - - - 15</small>		
<b>Digits 1 – Refrigerant</b> 4 = R-410A		
<b>Digits 2 – Brand</b> T = Outdoor Unit		
<b>Digits 3 – Functional Type</b> X = Heat Pump Inverter		
<b>Digits 4 – Configuration Outdoor Unit</b> M = Multiple Refrigerant Ports		
<b>Digits 5, 6 – Efficiency Tier</b> 22 = Up To 22 SEER		
<b>Digits 7, 8 – Nominal Capacity (Btu/h x 1,000)</b> 18 = 18,000 Btu/h 21 = 21,000 Btu/h 24 = 24,000 Btu/h 30 = 30,000 Btu/h 36 = 36,000 Btu/h 42 = 42,000 Btu/h		
<b>Digits 9 – Major Development Sequence</b> A = First Development Sequence		
<b>Digits 10 – Electric Power Supply Characteristics</b> 1 = 208-230/60/1		
<b>Digits 11 – Number of Refrigerant Ports (Multi-Split Systems)</b> 2 = Two Port System 3 = Three Port System 4 = Four Port System 5 = Five Port System		
<b>Digits 12 – Regional Markets Served (1:1 Systems)</b> N = North America Market		
<b>Digits 13 – Reserved for Future Use</b> 0 = Not Currently Used		
<b>Digits 14 – Minor Design Sequence</b> A = First Design Sequence		
<b>Digits 15 – Service Digit</b> A = First Sequence		
1 of 1		

MODEL NOMENCLATURE

Parts List Number :4TXMUP2#4TXMUP2

Model Number :4TXM2224A14N0AA

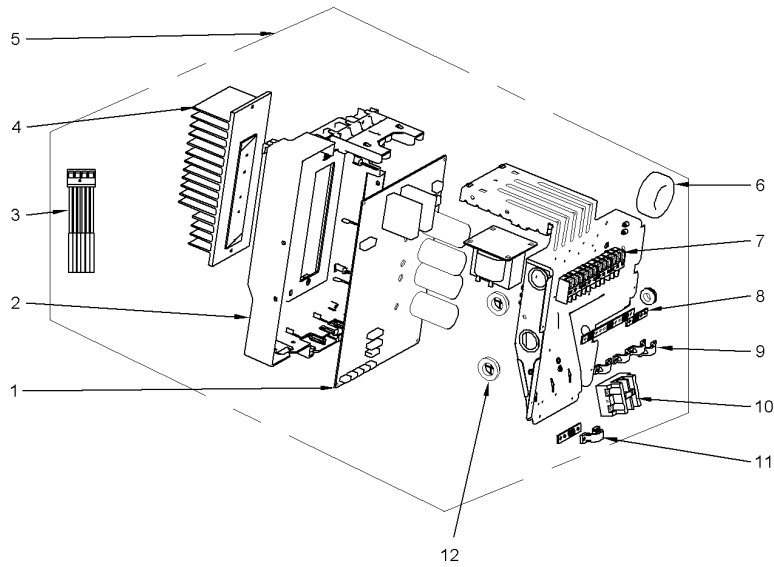
Part No.	Reference No.	Quantity	Description
75011403_4TXMUP2_237742~P	*		MODEL NOMENCLATURE PARTS LIST

MODEL NUMBER DESCRIPTION	75011403	REV. A
22 SEER		
<i>Example Model Number:</i> <b>4TXM2218A12N0AA</b> <small>1 - - - - 5 - - - - 10 - - - - 15</small>		
<b>Digits 1 – Refrigerant</b> 4 = R-410A		
<b>Digits 2 – Brand</b> T = Outdoor Unit		
<b>Digits 3 – Functional Type</b> X = Heat Pump Inverter		
<b>Digits 4 – Configuration Outdoor Unit</b> M = Multiple Refrigerant Ports		
<b>Digits 5, 6 – Efficiency Tier</b> 22 = Up To 22 SEER		
<b>Digits 7, 8 – Nominal Capacity (Btu/h x 1,000)</b> 18 = 18,000 Btu/h 21 = 21,000 Btu/h 24 = 24,000 Btu/h 30 = 30,000 Btu/h 36 = 36,000 Btu/h 42 = 42,000 Btu/h		
<b>Digits 9 – Major Development Sequence</b> A = First Development Sequence		
<b>Digits 10 – Electric Power Supply Characteristics</b> 1 = 208-230/60/1		
<b>Digits 11 – Number of Refrigerant Ports (Multi-Split Systems)</b> 2 = Two Port System 3 = Three Port System 4 = Four Port System 5 = Five Port System		
<b>Digits 12 – Regional Markets Served (1:1 Systems)</b> N = North America Market		
<b>Digits 13 – Reserved for Future Use</b> 0 = Not Currently Used		
<b>Digits 14 – Minor Design Sequence</b> A = First Design Sequence		
<b>Digits 15 – Service Digit</b> A = First Sequence		
1 of 1		

22 SEER OUTDOOR HP MULTISPLIT  
2.0 TON ELECTRIC BOX ASSEMBLY

75011389

REV.  
A



All orderable Service Parts are identified for this product.

Parts that are not identified, will not be available to order.

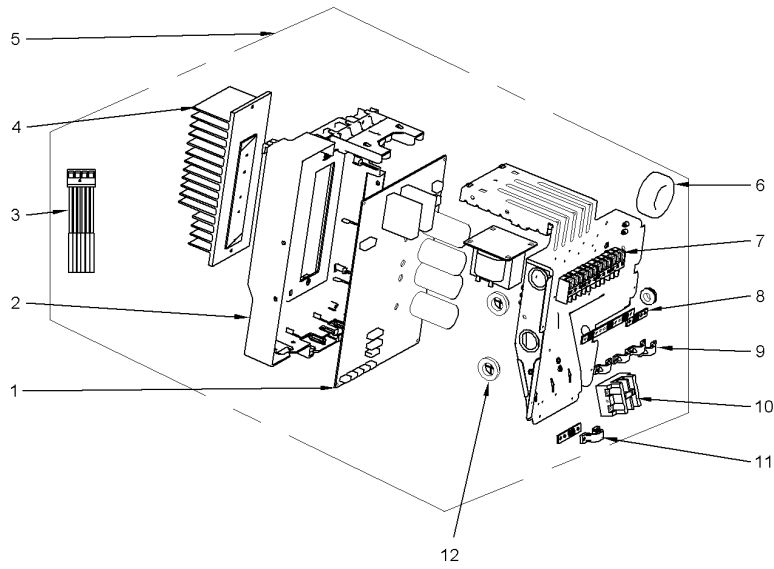
This is a typical illustration. The unit in the field may not appear exactly as shown.

Part No.	Reference No.	Quantity	Description
75011389_4TXMUP2_329541~P	*		2.0 TON ELECTRIC BOX ASSEMBLY PARTS LIST

22 SEER OUTDOOR HP MULTISPLIT  
2.0 TON ELECTRIC BOX ASSEMBLY

75011389

REV.  
A



All orderable Service Parts are identified for this product.

Parts that are not identified, will not be available to order.

This is a typical illustration. The unit in the field may not appear exactly as shown.

Parts List Number :4TXMUP2#4TXMUP2

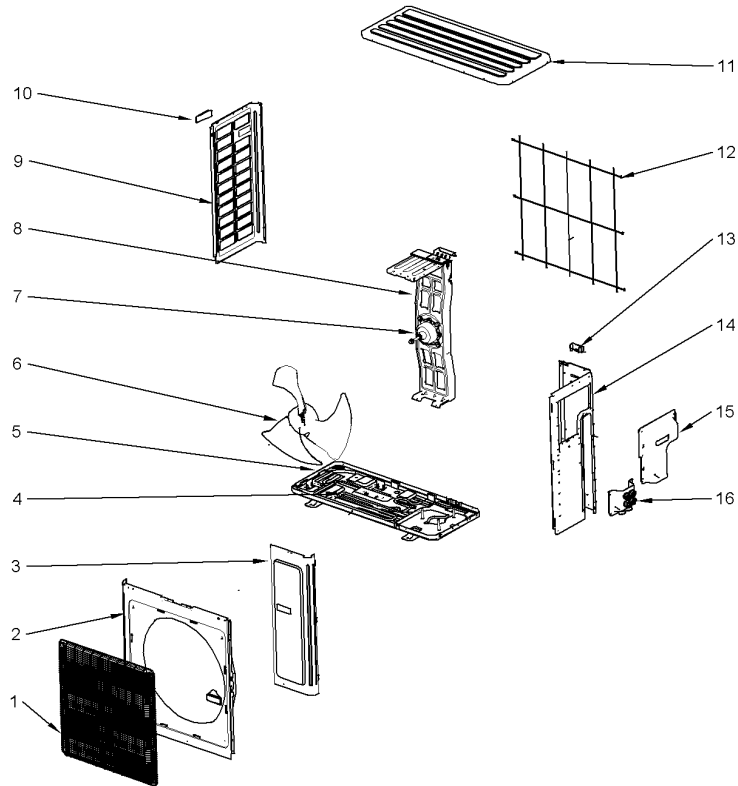
Model Number :4TXM2224A14N0AA

<b>Part No.</b>	<b>Reference No.</b>	<b>Quantity</b>	<b>Description</b>
BRD05473	1	1	BOARD; MAIN
BOX02890	2	1	BOX; ELECTRIC
SEN02454	3	1	SENSOR; EEV LIQUID LINE SUB ASSEMBLY
EXC02410	4	1	EXCHANGER; HEAT SINK
BOX02884	5	1	BOX; ELECTRICAL ASSEMBLY (INCLUDES TERMINAL BOARD, MAIN AND CONNECTIONS)
RNG02311	6	3	RING; MAGNETIC
BRD03953	7	4	BOARD; TERMINAL BOARD( 420111041)
GKT04835	8	1	GASKET; INSULATION
CMP01444	9	4	CLAMP; WIRE
BRD05475	10	1	BOARD; INPUT TERMINAL
CMP01517	11	1	CLAMP; INPUT WIRE
GKT04837	12	2	GASKET; CABLE

22 SEER OUTDOOR HP MULTISPLIT  
2.0 TON FAN, ELECTRIC HEATER & PANELS

75011390

REV.  
A



All orderable Service Parts are identified for this product.

Parts that are not identified, will not be available to order.

This is a typical illustration. The unit in the field may not appear exactly as shown.

Parts List Number :4TXMUP2#4TXMUP2

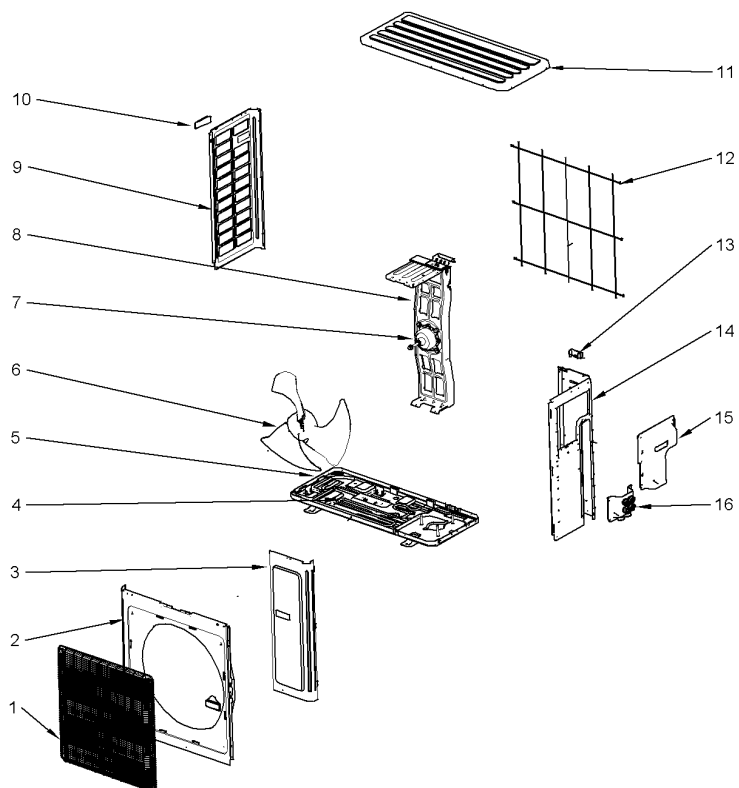
Model Number :4TXM2224A14N0AA

Part No.	Reference No.	Quantity	Description
75011390_4TXMUP2_329542~P	*		2.0 TON FAN, ELECTRIC HEATER & PANELS PARTS LIST

22 SEER OUTDOOR HP MULTISPLIT  
2.0 TON FAN, ELECTRIC HEATER & PANELS

75011390

REV.  
A



All orderable Service Parts are identified for this product.

Parts that are not identified, will not be available to order.

This is a typical illustration. The unit in the field may not appear exactly as shown.

Parts List Number :4TXMUP2#4TXMUP2

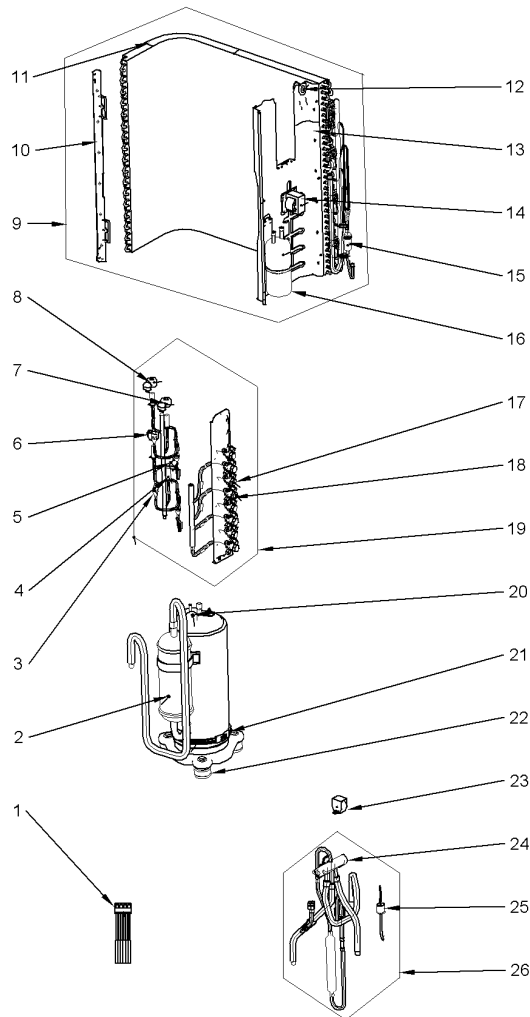
Model Number :4TXM2224A14N0AA

Part No.	Reference No.	Quantity	Description
PAI00420	*	1	PAINT; CUSTOM PAINT MATCH FOR MINI SPLIT
GRL01838	1	1	GRILL; FRONT
CAS02042	2	1	CASING; CABINET
PNL29824	3	1	PANEL; FRONT SIDE PLATE
HTR16089	4	1	HEATER; BASE PAN
PLT06062	5	1	PLATE; CHASSIS SUB-ASSY
FAN05385	6	1	FAN; AXIAL FLOW
MOT17278	7	1	MOTOR; BRUSHLESS DC FAN, 120W, 310V
SUP06176	8	1	NO DESCRIPTION AVAILABLE
PNL29543	9	1	PANEL; LEFT SIDE PLATE
HDL01103	10	2	HANDLE; LEFT HANDLE( 26235401)
COV05065	11	1	COVER; TOP
GRL02028	12	1	GRILL; REAR
CMP01443	13	1	CLAMP; WIRING
PNL33423	14	1	PANEL; SIDE, RIGHT
COV05068	15	1	COVER; POWER TERMINAL
COV05066	16	1	COVER; WIRING

22 SEER OUTDOOR HP MULTISPLIT  
2.0 TON REFRIGERATION & MISCELLANEOUS PARTS

75011391

REV.  
A



All orderable Service Parts are identified for this product.

Parts that are not identified, will not be available to order.

This is a typical illustration. The unit in the field may not appear exactly as shown.

Parts List Number :4TXMUP2#4TXMUP2

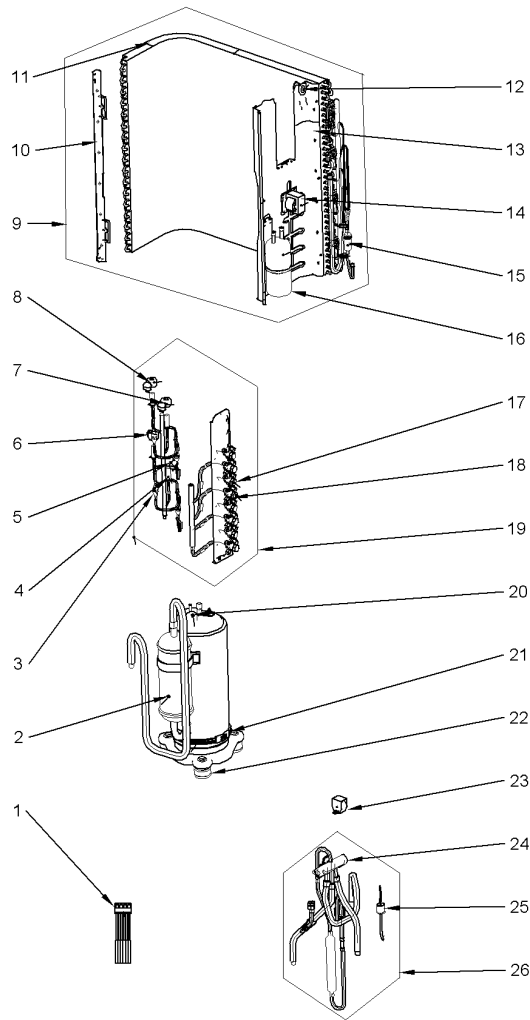
Model Number :4TXM2224A14N0AA

Part No.	Reference No.	Quantity	Description
75011391_4TXMUP2_329543~P	*		2.0 TON REFRIGERATION & MISCELLANEOUS PARTS

22 SEER OUTDOOR HP MULTISPLIT  
2.0 TON REFRIGERATION & MISCELLANEOUS PARTS

75011391

REV.  
A



All orderable Service Parts are identified for this product.

Parts that are not identified, will not be available to order.

This is a typical illustration. The unit in the field may not appear exactly as shown.

Parts List Number :4TXMUP2#4TXMUP2

Model Number :4TXM2224A14N0AA

Part No.	Reference No.	Quantity	Description
SEN02451	1	1	SENSOR; VAPOR TUBE ASSEMBLY
COM11927	2	1	COMPRESSOR;
SRA01038	3	1	STRAINER; VALVE DRIER
VAL12208	4	1	VALVE;
MOT17282	5	1	MOTOR; EEV STEPPER ( A )
MOT17281	6	1	MOTOR; ELECTRIC EXPAND VALVE (EEV) FITTING
MOT17280	7	1	MOTOR; EEV STEPPER ( C )
MOT17279	8	1	MOTOR; EEV STEPPER ( D )
COL25835	9	1	COIL; CONDENSER ASSY
PLT05362	10	1	PLATE; CONDENSER SUPPORT
COL25833	11	1	COIL; CONDENSER ASSY
GKT04838	12	1	GASKET; CABLE
PNL33422	13	1	PANEL; CLAPBOARD
TRR02772	14	1	TRANSFORMER; FERRITE INDUCTOR
SRA01032	15	1	STRAINER; BIDIRECTION
SEP00106	16	1	SEPARATOR; GAS-LIQUID SEPARATOR ASSY( 07225017)
VAL09362	17	1	VALVE; CUT-OFF LIQUID
VAL09988	18	1	VALVE; CUT-OFF VALVE
SUP06070	19	1	SUPPORT; EEV SUPPORT ASSEMBLY
OLD00725	20	1	OVERLOAD; COMPRESSOR, PROTECTOR, EXTERNAL
HTR16090	21	1	HEATER; COMPRESSOR
GKT04766	22	3	GASKET; COMPRESSOR
COL25838	23	1	COIL; SOLENOID VALVE
VAL11792	24	1	VALVE; 4-WAY
SWT03651	25	1	SWITCH; PRESSURE PROTECT
VAL12207	26	1	VALVE; 4-WAY ASSEMBLY