

Part No.	Reference No.	Quantity	Description
75011386#4TXMUP2-S	*		1.75 TON ELECTRIC BOX ASSEMBLY
75011387#4TXMUP2-S	*		1.75 TON FAN & PANELS
75011388#4TXMUP2-S	*		1.75 TON REFRIGERATION & MISCELLANEOUS PARTS
4TXMUP2_4TXMUP2_237738-P	*		4TXMUP2 PARTS LIST
75011403#4TXMUP2-S	*		MODEL NOMENCLATURE

NO GRAPHIC AVAILABLE

75013702

REV
A

**NO
GRAPHIC
AVAILABLE**

MODEL NUMBER DESCRIPTION	75011403	REV. A
22 SEER		
<i>Example Model Number:</i> 4TXM2218A12N0AA <small>1 - - - - 5 - - - - 10 - - - - 15</small>		
Digits 1 – Refrigerant 4 = R-410A		
Digits 2 – Brand T = Outdoor Unit		
Digits 3 – Functional Type X = Heat Pump Inverter		
Digits 4 – Configuration Outdoor Unit M = Multiple Refrigerant Ports		
Digits 5, 6 – Efficiency Tier 22 = Up To 22 SEER		
Digits 7, 8 – Nominal Capacity (Btu/h x 1,000) 18 = 18,000 Btu/h 21 = 21,000 Btu/h 24 = 24,000 Btu/h 30 = 30,000 Btu/h 36 = 36,000 Btu/h 42 = 42,000 Btu/h		
Digits 9 – Major Development Sequence A = First Development Sequence		
Digits 10 – Electric Power Supply Characteristics 1 = 208-230/60/1		
Digits 11 – Number of Refrigerant Ports (Multi-Split Systems) 2 = Two Port System 3 = Three Port System 4 = Four Port System 5 = Five Port System		
Digits 12 – Regional Markets Served (1:1 Systems) N = North America Market		
Digits 13 – Reserved for Future Use 0 = Not Currently Used		
Digits 14 – Minor Design Sequence A = First Design Sequence		
Digits 15 – Service Digit A = First Sequence		
1 of 1		

MODEL NOMENCLATURE

Parts List Number :4TXMUP2#4TXMUP2

Model Number :4TXM2221A13N0AA

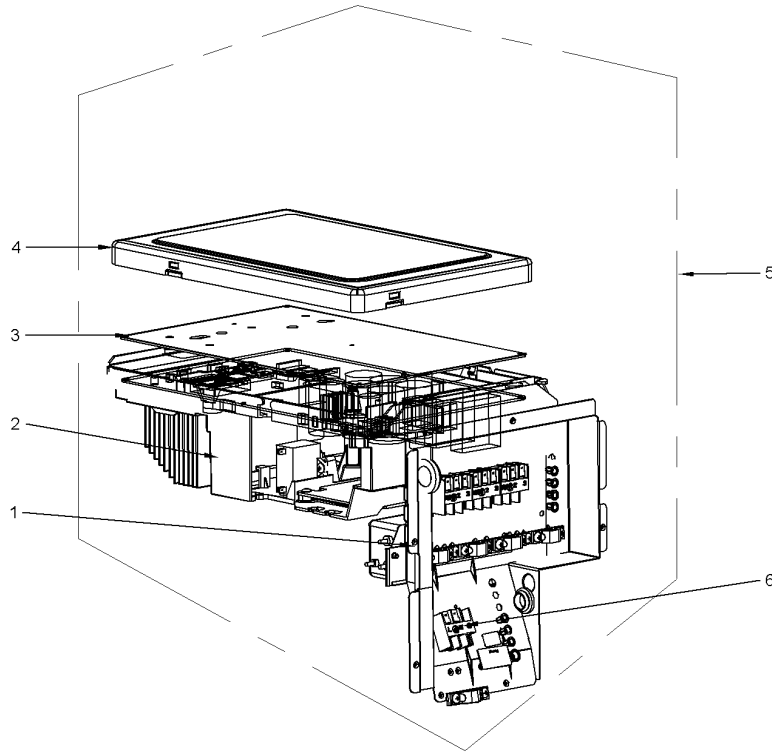
Part No.	Reference No.	Quantity	Description
75011403_4TXMUP2_237742~P	*		MODEL NOMENCLATURE PARTS LIST

MODEL NUMBER DESCRIPTION	75011403	REV. A
22 SEER		
<i>Example Model Number:</i> 4TXM2218A12N0AA <small>1 - - - - 5 - - - - 10 - - - - 15</small>		
Digits 1 – Refrigerant		
4 = R-410A		
Digits 2 – Brand		
T = Outdoor Unit		
Digits 3 – Functional Type		
X = Heat Pump Inverter		
Digits 4 – Configuration Outdoor Unit		
M = Multiple Refrigerant Ports		
Digits 5, 6 – Efficiency Tier		
22 = Up To 22 SEER		
Digits 7, 8 – Nominal Capacity (Btu/h x 1,000)		
18 = 18,000 Btu/h		
21 = 21,000 Btu/h		
24 = 24,000 Btu/h		
30 = 30,000 Btu/h		
36 = 36,000 Btu/h		
42 = 42,000 Btu/h		
Digits 9 – Major Development Sequence		
A = First Development Sequence		
Digits 10 – Electric Power Supply Characteristics		
1 = 208-230/60/1		
Digits 11 – Number of Refrigerant Ports (Multi-Split Systems)		
2 = Two Port System		
3 = Three Port System		
4 = Four Port System		
5 = Five Port System		
Digits 12 – Regional Markets Served (1:1 Systems)		
N = North America Market		
Digits 13 – Reserved for Future Use		
0 = Not Currently Used		
Digits 14 – Minor Design Sequence		
A = First Design Sequence		
Digits 15 – Service Digit		
A = First Sequence		

22 SEER OUTDOOR HP MULTISPLIT
1.75 TON ELECTRIC BOX ASSEMBLY

75011386

REV.
A



All orderable Service Parts are identified for this product.

Parts that are not identified, will not be available to order.

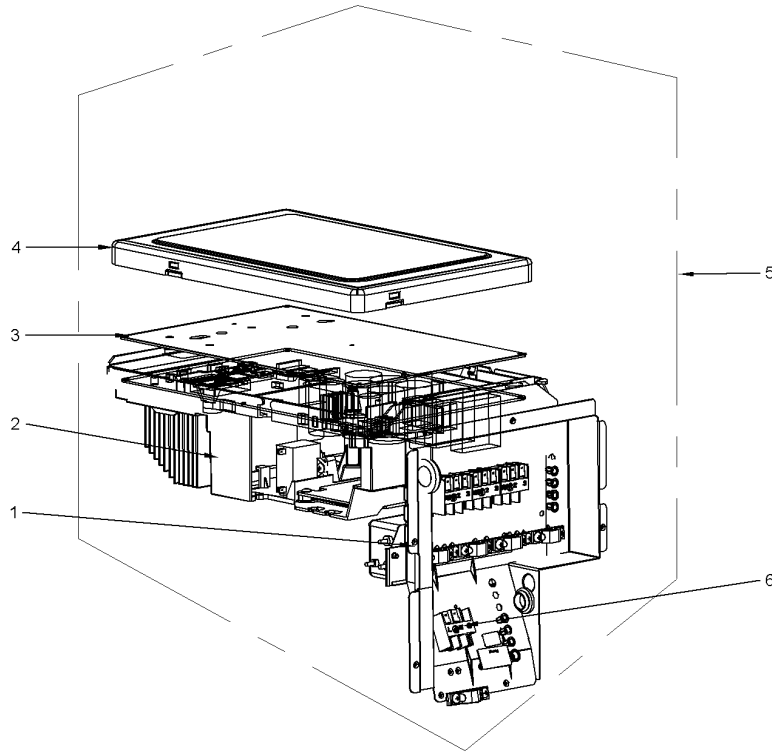
This is a typical illustration. The unit in the field may not appear exactly as shown.

Part No.	Reference No.	Quantity	Description
75011386_4TXMUP2_237739~P	*		1.75 TON ELECTRIC BOX ASSEMBLY PARTS LIST

22 SEER OUTDOOR HP MULTISPLIT
1.75 TON ELECTRIC BOX ASSEMBLY

75011386

REV.
A



All orderable Service Parts are identified for this product.

Parts that are not identified, will not be available to order.

This is a typical illustration. The unit in the field may not appear exactly as shown.

Parts List Number :4TXMUP2#4TXMUP2

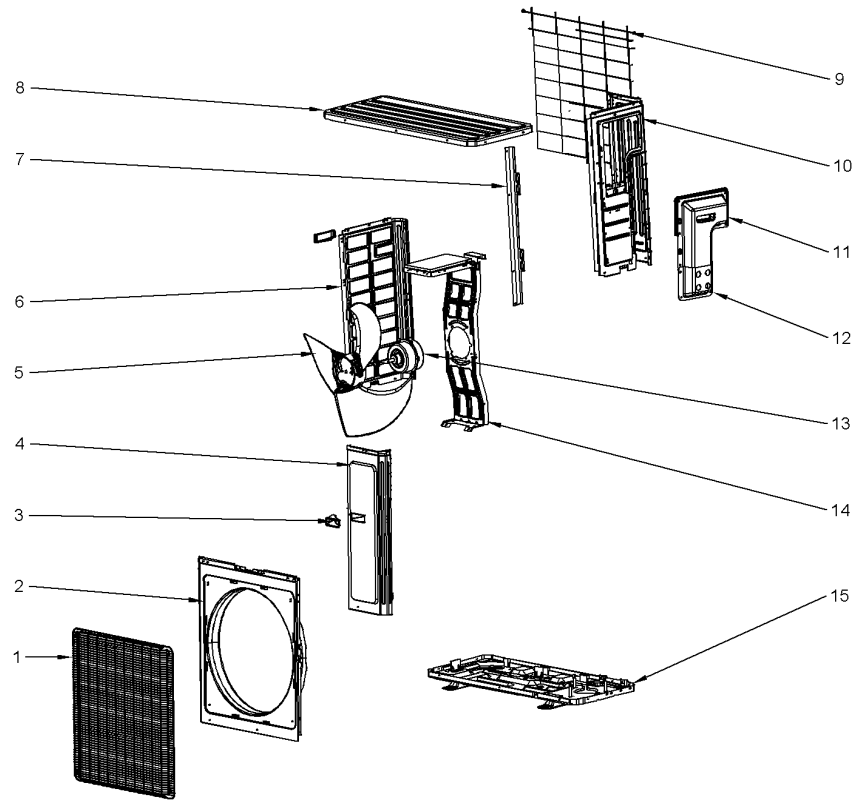
Model Number :4TXM2221A13N0AA

Part No.	Reference No.	Quantity	Description
PIP02359	1	1	PIPE; CONNECTION SUPPORT
BOX02888	2	1	BOX; ELECTRIC
BRD05471	3	1	BOARD; MAIN
COV05069	4	1	COVER; ELECTRICAL
BOX02886	5	1	BOX; ELECTRICAL ASSEMBLY (INCLUDES TERMINAL BOARD, MAIN AND CONNECTIONS)
BRD03952	6	1	BOARD; TERMINAL BOARD(42010178)

22 SEER OUTDOOR HP MULTISPLIT
1.75 TON FAN & PANELS

75011387

REV.
A



All orderable Service Parts are identified for this product.

Parts that are not identified, will not be available to order.

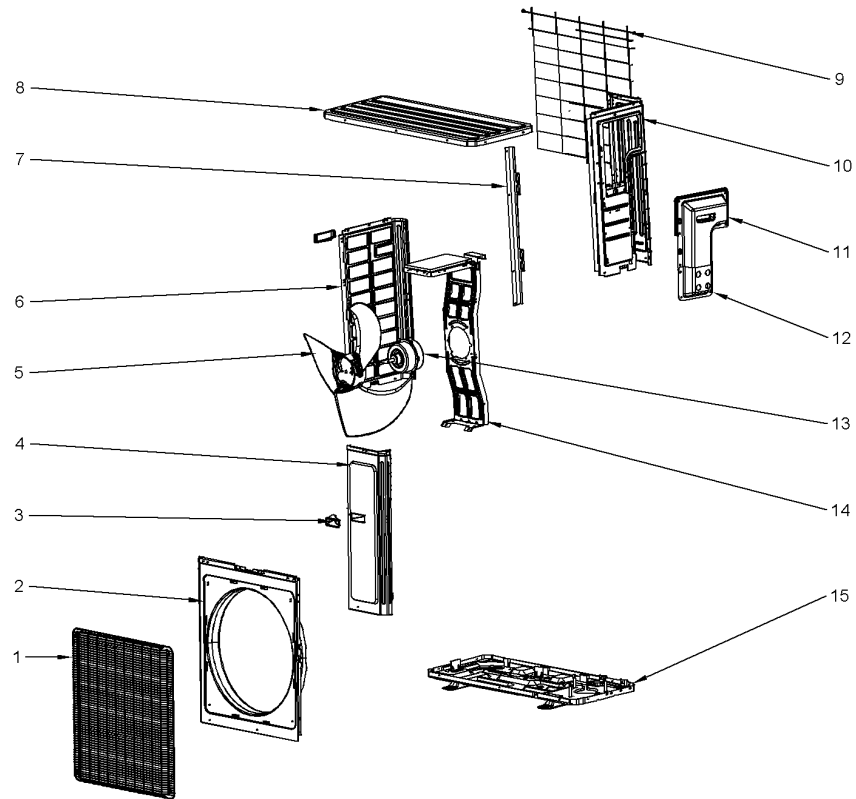
This is a typical illustration. The unit in the field may not appear exactly as shown.

Part No.	Reference No.	Quantity	Description
75011387_4TXMUP2_237740~P	*		1.75 TON FAN & PANELS PARTS LIST

22 SEER OUTDOOR HP MULTISPLIT
1.75 TON FAN & PANELS

75011387

REV.
A



All orderable Service Parts are identified for this product.

Parts that are not identified, will not be available to order.

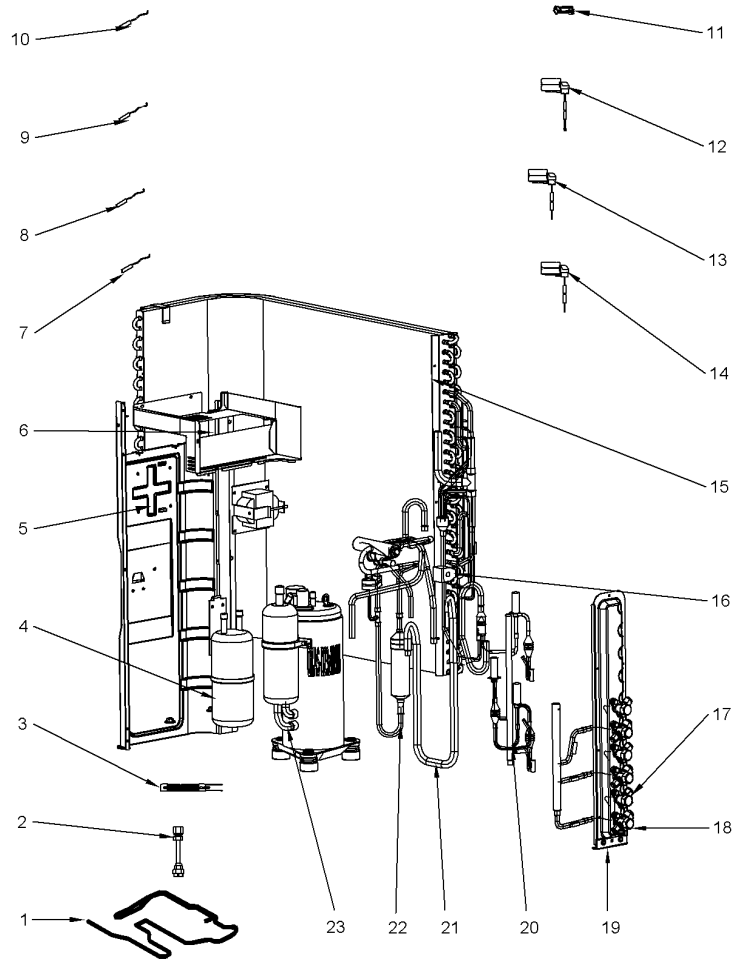
This is a typical illustration. The unit in the field may not appear exactly as shown.

Part No.	Reference No.	Quantity	Description
PAI00420	*	1	PAINT; CUSTOM PAINT MATCH FOR MINI SPLIT
GRL01838	1	1	GRILL; FRONT
PNL31638	2	1	PANEL; FRONT
HDL01103	3	2	HANDLE; LEFT HANDLE(26235401)
PNL29824	4	1	PANEL; FRONT SIDE PLATE
FAN05385	5	1	FAN; AXIAL FLOW
PNL29543	6	1	PANEL; LEFT SIDE PLATE
PLT05362	7	1	PLATE; CONDENSER SUPPORT
PNL29029	8	1	PANEL; TOP COVER SUB-ASSY
GRL02028	9	1	GRILL; REAR
PNL33423	10	1	PANEL; SIDE, RIGHT
COV05068	11	1	COVER; POWER TERMINAL
COV05066	12	1	COVER; WIRING
MOT16746	13	1	MOTOR; FAN
SUP05538	14	1	SUPPORT; MOTOR SUB-ASSEMBLY
PLT06064	15	1	PLATE; CHASSIS SUB-ASSY

22 SEER OUTDOOR HP MULTISPLIT
1.75 TON REFRIGERATION & MISCELLANEOUS PARTS

75011388

REV.
A



All orderable Service Parts are identified for this product.

Parts that are not identified, will not be available to order.

This is a typical illustration. The unit in the field may not appear exactly as shown.

Parts List Number :4TXMUP2#4TXMUP2

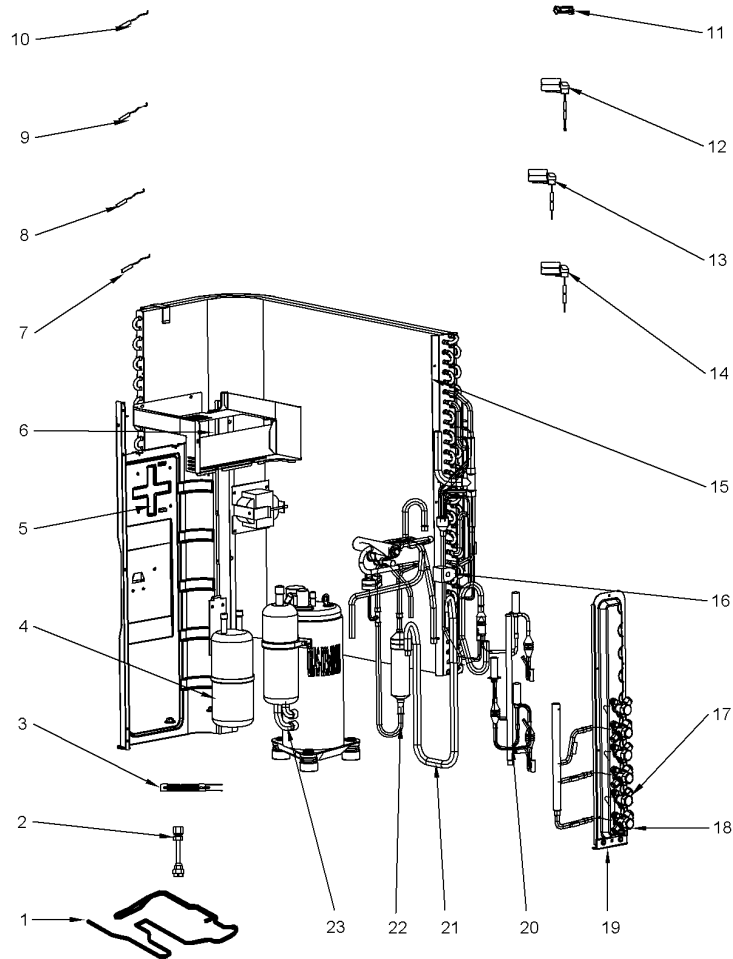
Model Number :4TXM2221A13N0AA

Part No.	Reference No.	Quantity	Description
75011388_4TXMUP2_237741~P	*		1.75 TON REFRIGERATION & MISCELLANEOUS PARTS

22 SEER OUTDOOR HP MULTISPLIT
1.75 TON REFRIGERATION & MISCELLANEOUS PARTS

75011388

REV
A



All orderable Service Parts are identified for this product.

Parts that are not identified, will not be available to order.

This is a typical illustration. The unit in the field may not appear exactly as shown.

Parts List Number :4TXMUP2#4TXMUP2

Model Number :4TXM2221A13N0AA

Part No.	Reference No.	Quantity	Description
ELM09214	1	1	ELEMENT; ELECTRICAL HEATER (CHASSIS)
TUB12686	2	2	TUBE; TUBE CONNECTOR SUB-ASSY(06643008)
HTR16090	3	1	HEATER; COMPRESSOR
SEP00268	4	1	SEPERATOR; GAS-LIQUID
PNL33421	5	1	PANEL; CLAPBOARD SUB-ASSY
BOX02885	6	1	BOX; ELECTRIC
SEN01804	7	1	SENSOR; TEMPERATURE (INCLUDES; DISCHARGE TUBE SENSOR (50K), COIL TUBE SENSOR (20K) AND OUTDOOR AMBIENT SENSOR (15K))
SEN02450	8	1	SENSOR;
SEN02449	9	1	SENSOR;
SEN02068	10	1	SENSOR; TEMPERATURE
CMP01443	11	1	CLAMP; WIRING
FTG01266	12	1	FITTING; ELECTRIC EXPAND VALVE FITTING
FTG01267	13	1	FITTING; ELECTRIC EXPAND VALVE FITTING
FTG01268	14	1	FITTING; ELECTRIC EXPAND VALVE FITTING
COL25837	15	1	COIL; CONDENSER ASSY
COL16754	16	1	COIL; SOLNOID REVERSING VALVE
VAL09362	17	1	VALVE; CUT-OFF LIQUID
VAL09988	18	1	VALVE; CUT-OFF VALVE
SUP06073	19	1	SUPPORT; EEV AND CUT OFF VALVE
VAL12210	20	1	VALVE; EEV, STRAINER ASSEMBLY
PIP02299	21	1	PIPE; CONNECTION
VAL12204	22	1	VALVE; 4 WAY ASSEMBLY, SOLNOID, STRAINER,
COM12080	23	1	COMPRESSOR; WITH FITTINGS