

Part No.	Reference No.	Quantity	Description
75011383#4TXMUP2~S	*		1.5 TON ELECTRIC BOX ASSEMBLY
75011384#4TXMUP2~S	*		1.5 TON FAN & PANELS
75011385#4TXMUP2~S	*		1.5 TON REFRIGERATION & MISCELLANEOUS PARTS
4TXMUP2_4TXMUP2_237738~P	*		4TXMUP2 PARTS LIST
75011403#4TXMUP2~S	*		MODEL NOMENCLATURE

NO GRAPHIC AVAILABLE

75013702

REV
A

**NO
GRAPHIC
AVAILABLE**

MODEL NUMBER DESCRIPTION	75011403	REV. A
22 SEER		
<i>Example Model Number:</i> 4TXM2218A12N0AA <small>1 - - - - 5 - - - - 10 - - - - 15</small>		
Digits 1 – Refrigerant 4 = R-410A		
Digits 2 – Brand T = Outdoor Unit		
Digits 3 – Functional Type X = Heat Pump Inverter		
Digits 4 – Configuration Outdoor Unit M = Multiple Refrigerant Ports		
Digits 5, 6 – Efficiency Tier 22 = Up To 22 SEER		
Digits 7, 8 – Nominal Capacity (Btu/h x 1,000) 18 = 18,000 Btu/h 21 = 21,000 Btu/h 24 = 24,000 Btu/h 30 = 30,000 Btu/h 36 = 36,000 Btu/h 42 = 42,000 Btu/h		
Digits 9 – Major Development Sequence A = First Development Sequence		
Digits 10 – Electric Power Supply Characteristics 1 = 208-230/60/1		
Digits 11 – Number of Refrigerant Ports (Multi-Split Systems) 2 = Two Port System 3 = Three Port System 4 = Four Port System 5 = Five Port System		
Digits 12 – Regional Markets Served (1:1 Systems) N = North America Market		
Digits 13 – Reserved for Future Use 0 = Not Currently Used		
Digits 14 – Minor Design Sequence A = First Design Sequence		
Digits 15 – Service Digit A = First Sequence		

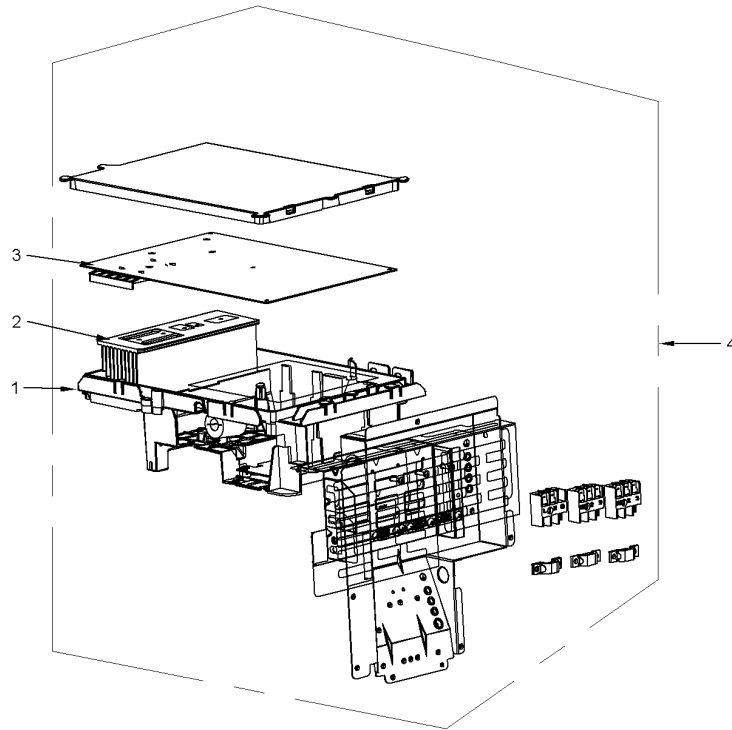
Part No.	Reference No.	Quantity	Description
75011403_4TXMUP2_237742~P	*		MODEL NOMENCLATURE PARTS LIST

MODEL NUMBER DESCRIPTION	75011403	REV. A
22 SEER		
<i>Example Model Number:</i> 4TXM2218A12N0AA <small>1 - - - - 5 - - - - 10 - - - - 15</small>		
Digits 1 – Refrigerant		
4 = R-410A		
Digits 2 – Brand		
T = Outdoor Unit		
Digits 3 – Functional Type		
X = Heat Pump Inverter		
Digits 4 – Configuration Outdoor Unit		
M = Multiple Refrigerant Ports		
Digits 5, 6 – Efficiency Tier		
22 = Up To 22 SEER		
Digits 7, 8 – Nominal Capacity (Btu/h x 1,000)		
18 = 18,000 Btu/h		
21 = 21,000 Btu/h		
24 = 24,000 Btu/h		
30 = 30,000 Btu/h		
36 = 36,000 Btu/h		
42 = 42,000 Btu/h		
Digits 9 – Major Development Sequence		
A = First Development Sequence		
Digits 10 – Electric Power Supply Characteristics		
1 = 208-230/60/1		
Digits 11 – Number of Refrigerant Ports (Multi-Split Systems)		
2 = Two Port System		
3 = Three Port System		
4 = Four Port System		
5 = Five Port System		
Digits 12 – Regional Markets Served (1:1 Systems)		
N = North America Market		
Digits 13 – Reserved for Future Use		
0 = Not Currently Used		
Digits 14 – Minor Design Sequence		
A = First Design Sequence		
Digits 15 – Service Digit		
A = First Sequence		

22 SEER OUTDOOR HP MULTISPLIT
1.5 TON ELECTRIC BOX ASSEMBLY

75011383

REV.
A



All orderable Service Parts are identified for this product.

Parts that are not identified, will not be available to order.

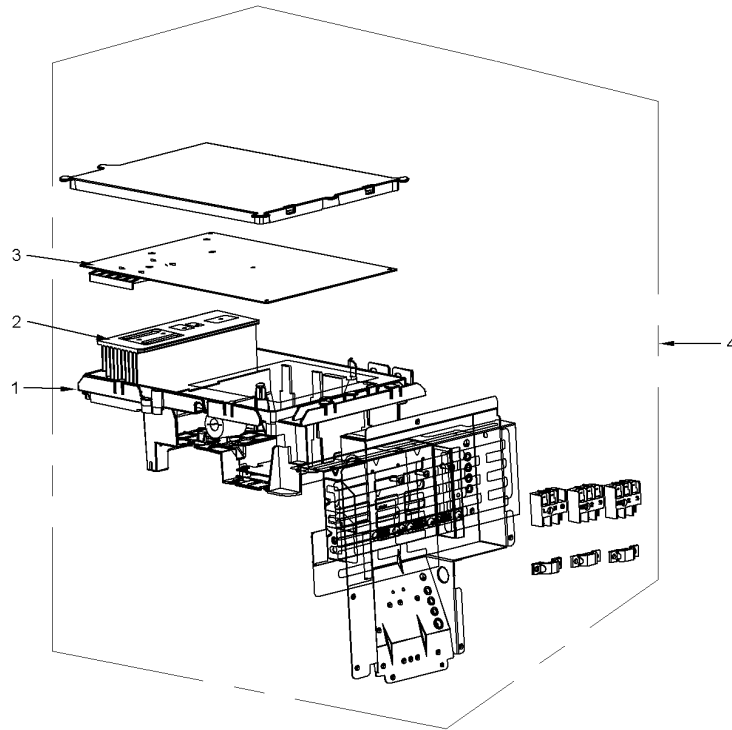
This is a typical illustration. The unit in the field may not appear exactly as shown.

Part No.	Reference No.	Quantity	Description
75011383_4TXMUP2_326868~P	*		1.5 TON ELECTRIC BOX ASSEMBLY PARTS LIST

22 SEER OUTDOOR HP MULTISPLIT
1.5 TON ELECTRIC BOX ASSEMBLY

75011383

REV.
A



All orderable Service Parts are identified for this product.

Parts that are not identified, will not be available to order.

This is a typical illustration. The unit in the field may not appear exactly as shown.

Parts List Number :4TXMUP2#4TXMUP2

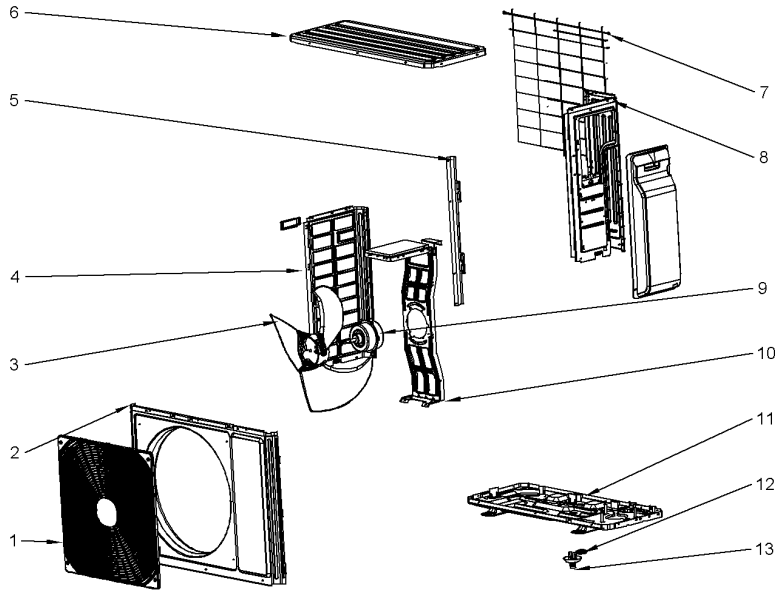
Model Number :4TXM2218A12N0AA

Part No.	Reference No.	Quantity	Description
BOX02922	1	1	BOX; ELECTRICAL
EXC02410	2	1	EXCHANGER; HEAT SINK
BRD05470	3	1	BOARD; MAIN
BOX02887	4	1	BOX; ELECTRICAL ASSEMBLY (INCLUDES TERMINAL BOARD, MAIN AND CONNECTIONS)

22 SEER OUTDOOR HP MULTISPLIT
1.5 TON FAN & PANELS

75011384

REV.
A



All orderable Service Parts are identified for this product.

Parts that are not identified, will not be available to order.

This is a typical illustration. The unit in the field may not appear exactly as shown.

Parts List Number :4TXMUP2#4TXMUP2

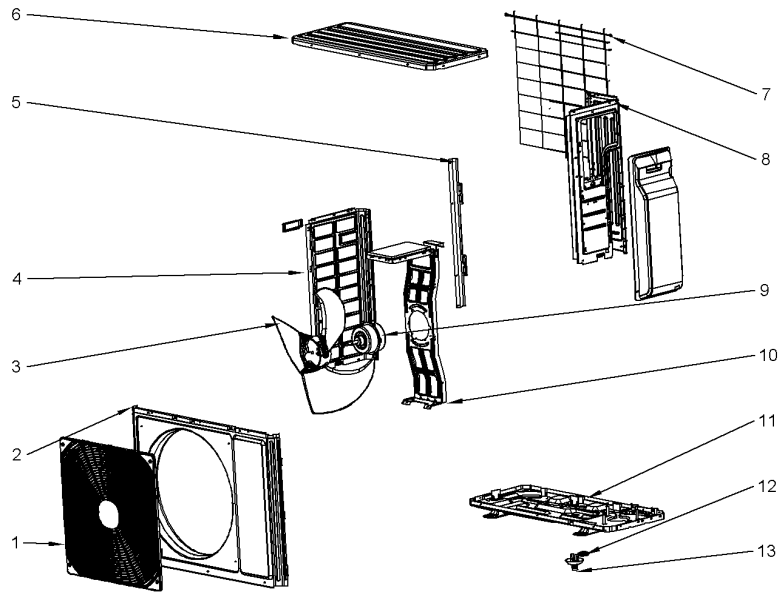
Model Number :4TXM2218A12N0AA

Part No.	Reference No.	Quantity	Description
75011384_4TXMUP2_326869~P	*		1.5 TON FAN & PANELS PARTS LIST

22 SEER OUTDOOR HP MULTISPLIT
1.5 TON FAN & PANELS

75011384

REV.
A



All orderable Service Parts are identified for this product.

Parts that are not identified, will not be available to order.

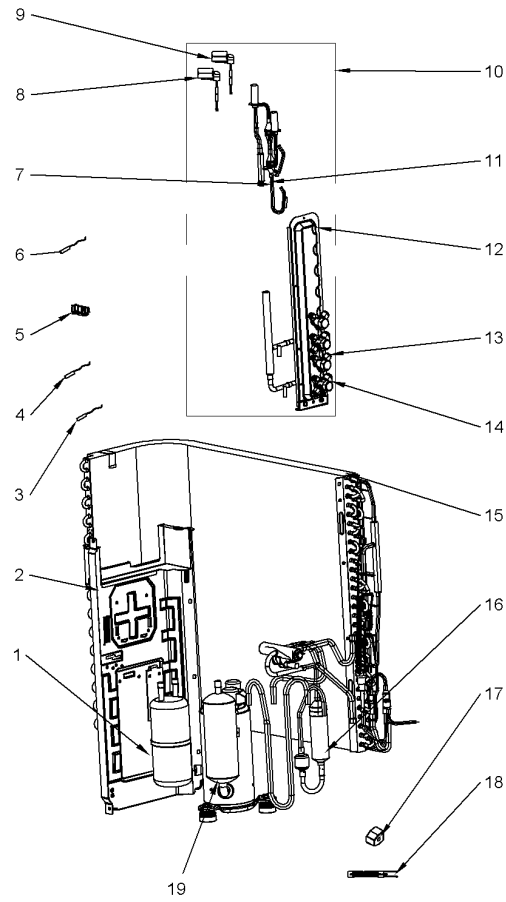
This is a typical illustration. The unit in the field may not appear exactly as shown.

Part No.	Reference No.	Quantity	Description
PAI00420	*	1	PAINT; CUSTOM PAINT MATCH FOR MINI SPLIT
GRL01689	1	1	GRILLE; FRONT GRILL
PNL32542	2	1	PANEL; FRONT PANEL ASSY
FAN04378	3	1	FAN; AXIAL FLOW
PNL29955	4	1	PANEL; FRONT SIDE
SUP06068	5	1	SUPPORT; CONDENSER
COV04192	6	1	COVER; TOP COVER
GRL01688	7	1	GRILLE; REAR GRILL
PNL32543	8	1	PANEL; RIGHT SIDE PLATE ASSY
MOT14615	9	1	MOTOR; BRUSHLESS DC FAN, 60W, 370V
SUP05539	10	1	SUPPORT; MOTOR SUB-ASSEMBLY
PLT06063	11	1	PLATE; CHASSIS SUB-ASSY
CAP01252	12	1	CAP; DRAINAGE HOLE
FTG01288	13	1	FITTING; DRAINAGE JOINT

22 SEER OUTDOOR HP MULTISPLIT
1.5 TON REFRIGERATION & MISCELLANEOUS PARTS

75011385

REV.
A



All orderable Service Parts are identified for this product.

Parts that are not identified, will not be available to order.

This is a typical illustration. The unit in the field may not appear exactly as shown.

Parts List Number :4TXMUP2#4TXMUP2

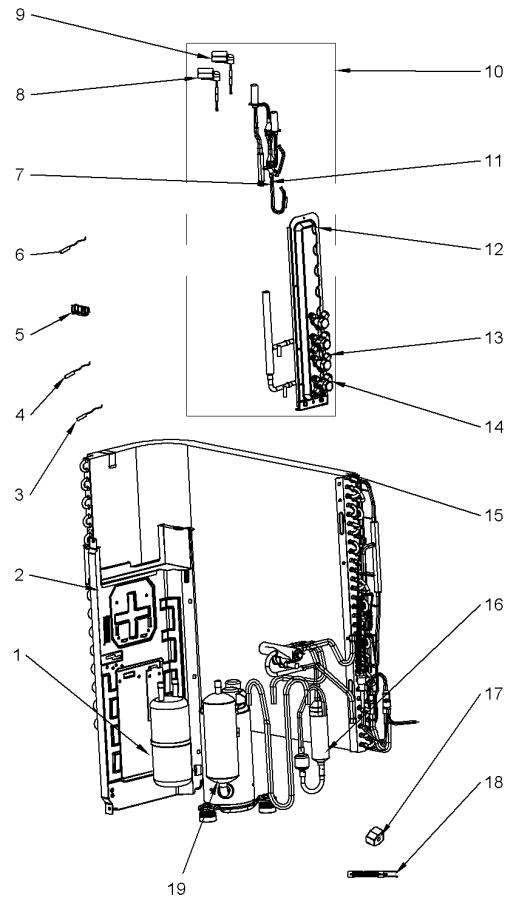
Model Number :4TXM2218A12N0AA

Part No.	Reference No.	Quantity	Description
75011385_4TXMUP2_326870~P	*		1.5 TON REFRIGERATION & MISCELLANEOUS PARTS

22 SEER OUTDOOR HP MULTISPLIT
1.5 TON REFRIGERATION & MISCELLANEOUS PARTS

75011385

REV.
A



All orderable Service Parts are identified for this product.

Parts that are not identified, will not be available to order.

This is a typical illustration. The unit in the field may not appear exactly as shown.

Parts List Number :4TXMUP2#4TXMUP2

Model Number :4TXM2218A12N0AA

Part No.	Reference No.	Quantity	Description
SEP00268	1	1	SEPERATOR; GAS-LIQUID
PNL33722	2	1	PANEL; CONTROL BOX /AIR FLOW SEPARATOR
SEN02065	3	1	SENSOR; TEMPERATURE
SEN02068	4	1	SENSOR; TEMPERATURE
CMP01443	5	1	CLAMP; WIRING
SEN01804	6	1	SENSOR; TEMPERATURE (INCLUDES; DISCHARGE TUBE SENSOR (50K), COIL TUBE SENSOR (20K) AND OUTDOOR AMBIENT SENSOR (15K))
VAL10704	7	1	VALVE; ELECTRONIC EXPANSION
FTG01267	8	1	FITTING; ELECTRIC EXPAND VALVE FITTING
FTG01266	9	1	FITTING; ELECTRIC EXPAND VALVE FITTING
SUP06072	10	1	SUPPORT; EEV AND CUT OFF VALVE
VAL12209	11	1	VALVE; EEV
PLT06065	12	1	PLATE; VALVE SUPPORT SUB-ASSY
VAL09362	13	1	VALVE; CUT-OFF LIQUID
VAL09988	14	1	VALVE; CUT-OFF VALVE
COL25836	15	1	COIL; CONDENSER ASSY
VAL12205	16	1	VALVE; 4 WAY ASSEMBLY, SOLNOID, STRAINER,
COL16754	17	1	COIL; SOLNOID REVERSING VALVE
HTR15659	18	1	HEATER; ELECTRICAL
COM11893	19	1	COMPRESSOR; AND FITTINGS