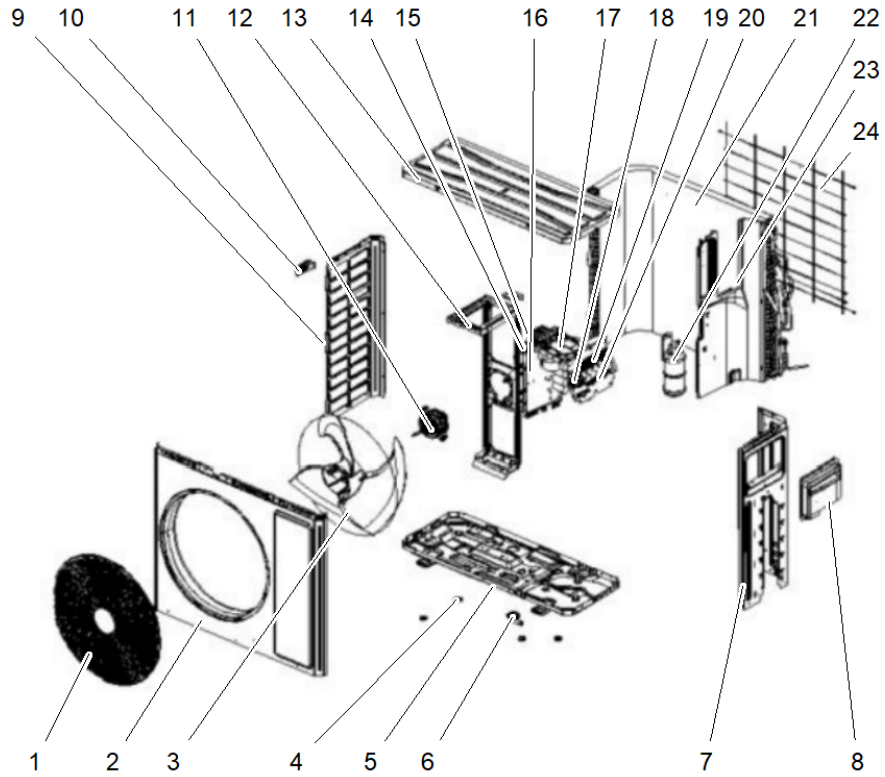


Parts List Number :0000208404

Model Number :4TXM2142A15N0AA

| Part No. | Reference No. | Quantity | Description |
|-----------------|----------------------|-----------------|--|
| 0000208408~S | * | | Fan, Electric Heater & Panels Assembly |
| 0000208409~S | * | | Model Number Description |
| 0000208407~S | * | | Refrigeration & Miscellaneous Parts Assembly |
| 0000208414~S | * | | Top-level Assembly View |

| Part No. | Reference No. | Quantity | Description |
|-------------|---------------|----------|--|
| 000054189~P | * | | Fan, Electric Heater & Panels Assembly |



All orderable Service Parts are identified for this product.

Parts that are not identified, will not be available to order.

This is a typical illustration. The unit in the field may not appear exactly as shown.

| Part No. | Reference No. | Quantity | Description |
|----------|---------------|----------|---|
| GRL02414 | 1 | 1 | GRILL; FRONT |
| CBT01969 | 2 | 1 | CABINET; |
| FAN06858 | 3 | 1 | FAN; AXIAL FLOW FAN |
| CAP01252 | 4 | 4 | CAP; DRAINAGE HOLE |
| FRM02693 | 5 | 1 | FRAME; CHASSIS SUB-ASSY |
| TUB15356 | 6 | 1 | TUBE; CONNECTOR (DRAIN) |
| PLT07544 | 7 | 1 | PLATE; RIGHT SIDE |
| HDL01341 | 8 | 1 | HANDLE; |
| PLT07542 | 9 | 1 | PLATE; LEFT SIDE |
| HDL01460 | 10 | 1 | HANDLE; |
| MOT21187 | 11 | 1 | MOTOR; BRUSHLESS DC MOTOR |
| SUP07175 | 12 | 1 | SUPPORT; MOTOR SUPPORT SUB-ASSY |
| BOX04783 | 14 | 1 | BOX; ELECTRIC BOX ASSY |
| EXC03314 | 15 | 1 | EXCHANGER; RADIATOR |
| BRD08187 | 16 | 1 | BOARD; MAIN BOARD |
| BRD08182 | 17 | 1 | BOARD; FILTER BOARD |
| BRD07255 | 18 | 1 | BOARD; TERMINAL (ELECTRICAL BOX) |
| BRD07256 | 19 | 5 | BOARD; TERMINAL (ELECTRICAL BOX) |
| CMP01745 | 20 | 3 | CLAMP; WIRE |
| CDS02791 | 21 | 1 | CONDENSER; ASSY |
| SEP00106 | 22 | 1 | SEPARATOR; GAS-LIQUID SEPARATOR ASSY(07225017) |
| BRD08215 | 23 | 1 | BOARD; CLAPBOARD |
| GRL02418 | 24 | 1 | GRILL; REAR |

| Part No. | Reference No. | Quantity | Description |
|-------------|---------------|----------|--------------------------|
| 000054167~P | * | | Model Number Description |

MODEL NUMBER DESCRIPTION

75015823

REV
A

Example Model Number:
4TXM2118A12N0AA
1 - - - 5 - - - - 10 - - - - 15

Digits 1 – Refrigerant
4 = R-410A

Digit 2 – Brand
T = Outdoor Unit

Digit 3 – Functional Type
X = Heat Pump Inverter

Digits 4 – Configuration Outdoor Unit
M = Multiple Refrigerant Ports

Digit 5, 6 – Efficiency Tier
21 = Up To 21 SEER

Digit 7, 8 – Nominal Capacity (Btu/h x 1,000)
18 = 18,000 Btu/h
21 = 21,000 Btu/h
24 = 24,000 Btu/h
30 = 30,000 Btu/h
36 = 36,000 Btu/h
42 = 42,000 Btu/h

Digits 9 – Major Development Sequence
A = First Development Sequence

Digits 10 – Electric Power Supply Characteristics
1 = 208-230/60/1

Digits 11 – Number of Refrigerant Ports (Multi-Split Systems)
2 = Two Port System
3 = Three Port System
4 = Four Port System
5 = Five Port System

Digits 12 – Regional Markets Served (1:1 Systems)
N = North America Market

Digits 13 – Reserved for Future Use
0 = Not Currently Used

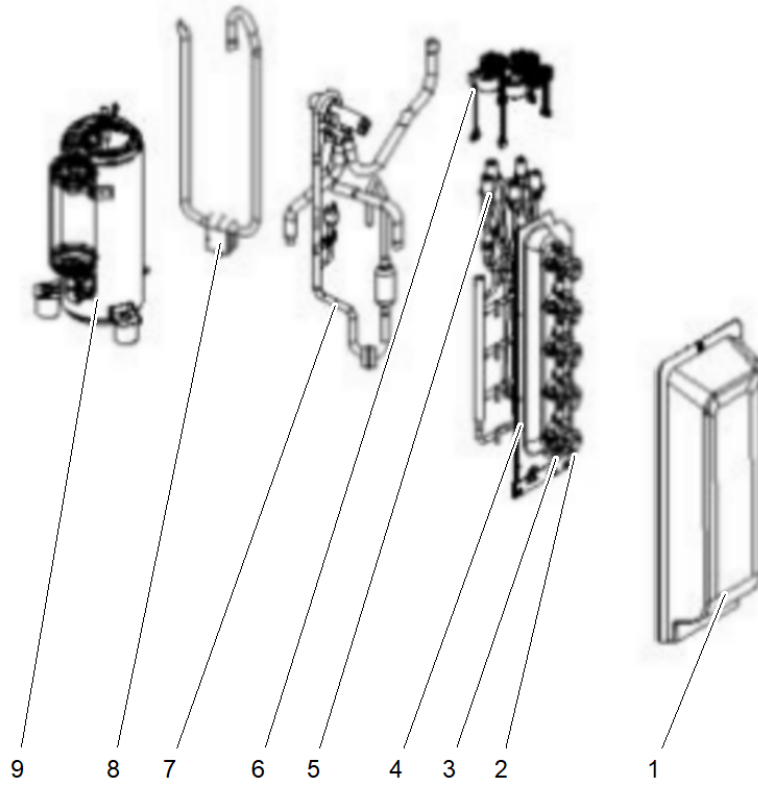
Digits 14 – Minor Design Sequence
A = First Design Sequence

Digits 15 – Service Digit
A = First Sequence

Parts List Number :0000208404

Model Number :4TXM2142A15N0AA

| Part No. | Reference No. | Quantity | Description |
|-------------|---------------|----------|--|
| 000054190~P | * | | Refrigeration & Miscellaneous Parts Assembly |



All orderable Service Parts are identified for this product.

Parts that are not identified, will not be available to order.

This is a typical illustration. The unit in the field may not appear exactly as shown.

| Part No. | Reference No. | Quantity | Description |
|-----------------|----------------------|-----------------|--|
| COV06409 | 1 | 1 | COVER; VALVE |
| VAL20997 | 2 | 5 | VALVE; CUT OFF VALVE SUB-ASSY(1/4) |
| VAL20996 | 3 | 5 | VALVE; CUT OFF VALVE SUB-ASSY 3/8 |
| SUP07201 | 4 | 1 | SUPPORT; VALVE SUPPORT SUB-ASSY |
| VAL21002 | 5 | 1 | VALVE; ELECTRONIC EXPANSION VALVE ASSY |
| FTG01552 | 6 | 1 | FITTING; ELECTRIC EXPAND VALVE FITTING |
| VAL21000 | 7 | 1 | VALVE; 4-WAY VALVE ASSY |
| TUB16399 | 8 | 1 | TUBE; INHALATION TUBE SUB-ASSY |
| COM14366 | 9 | 1 | COMPRESSOR; PLUS FITTINGS |

| Part No. | Reference No. | Quantity | Description |
|-------------|---------------|----------|-------------------------|
| 000054174~P | * | | Top-level Assembly View |

