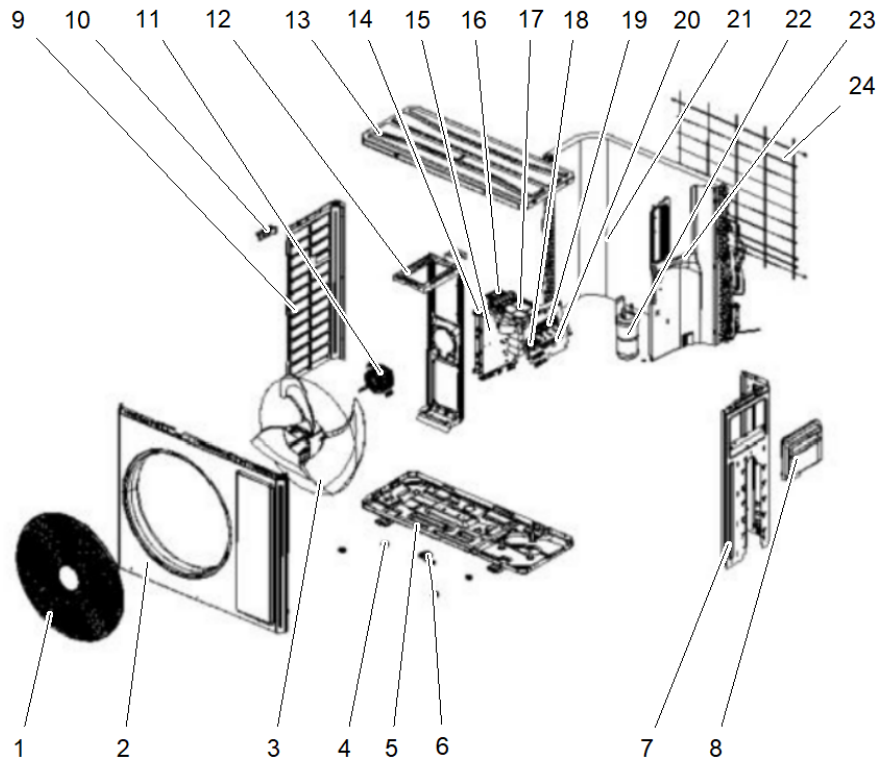


Part No.	Reference No.	Quantity	Description
0000208408~S	*		Fan, Electric Heater & Panels Assembly
0000208409~S	*		Model Number Description
0000208407~S	*		Refrigeration & Miscellaneous Parts Assembly
0000208414~S	*		Top-level Assembly View

Part No.	Reference No.	Quantity	Description
000054188~P	*		Fan, Electric Heater & Panels Assembly



All orderable Service Parts are identified for this product.

Parts that are not identified, will not be available to order.

This is a typical illustration. The unit in the field may not appear exactly as shown.

Part No.	Reference No.	Quantity	Description
GRL02414	1	1	GRILL; FRONT
CBT01969	2	1	CABINET;
FAN06858	3	1	FAN; AXIAL FLOW FAN
CAP01252	4	3	CAP; DRAINAGE HOLE
FRM02693	5	1	FRAME; CHASSIS SUB-ASSY
TUB15356	6	1	TUBE; CONNECTOR (DRAIN)
PLT07544	7	1	PLATE; RIGHT SIDE
HDL01460	8	1	HANDLE;
PLT07542	9	1	PLATE; LEFT SIDE
HDL01341	10	1	HANDLE;
MOT21187	11	1	MOTOR; BRUSHLESS DC MOTOR
SUP07175	12	1	SUPPORT; MOTOR SUPPORT SUB-ASSY
COV06404	13	1	COVER; TOP
BOX04782	14	1	BOX; ELECTRIC BOX ASSY
EXC03314	15	1	EXCHANGER; RADIATOR
BRD08186	16	1	BOARD; MAIN BOARD
BRD08182	17	1	BOARD; FILTER BOARD
BRD07255	18	1	BOARD; TERMINAL (ELECTRICAL BOX)
BRD07256	19	4	BOARD; TERMINAL (ELECTRICAL BOX)
CMP01444	20	1	CLAMP; WIRE
CDS02791	21	1	CONDENSER; ASSY
SEP00106	22	1	SEPARATOR; GAS-LIQUID SEPARATOR ASSY(07225017)
BRD08215	23	1	BOARD; CLAPBOARD
GRL02418	24	1	GRILL; REAR

Part No.	Reference No.	Quantity	Description
000054167~P	*		Model Number Description

MODEL NUMBER DESCRIPTION

75015823

REV
A

Example Model Number:
4TXM2118A12N0AA
1 - - - 5 - - - - 10 - - - - 15

Digits 1 – Refrigerant
4 = R-410A

Digit 2 – Brand
T = Outdoor Unit

Digit 3 – Functional Type
X = Heat Pump Inverter

Digits 4 – Configuration Outdoor Unit
M = Multiple Refrigerant Ports

Digit 5, 6 – Efficiency Tier
21 = Up To 21 SEER

Digit 7, 8 – Nominal Capacity (Btu/h x 1,000)
18 = 18,000 Btu/h
21 = 21,000 Btu/h
24 = 24,000 Btu/h
30 = 30,000 Btu/h
36 = 36,000 Btu/h
42 = 42,000 Btu/h

Digits 9 – Major Development Sequence
A = First Development Sequence

Digits 10 – Electric Power Supply Characteristics
1 = 208-230/60/1

Digits 11 – Number of Refrigerant Ports (Multi-Split Systems)
2 = Two Port System
3 = Three Port System
4 = Four Port System
5 = Five Port System

Digits 12 – Regional Markets Served (1:1 Systems)
N = North America Market

Digits 13 – Reserved for Future Use
0 = Not Currently Used

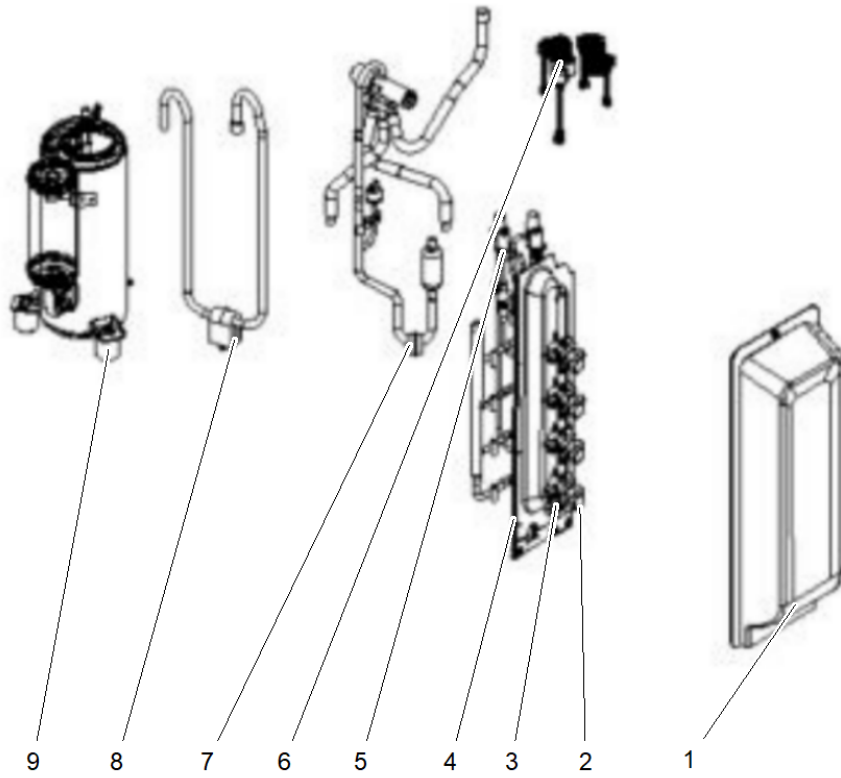
Digits 14 – Minor Design Sequence
A = First Design Sequence

Digits 15 – Service Digit
A = First Sequence

Parts List Number :0000208404

Model Number :4TXM2136A14N0AA

Part No.	Reference No.	Quantity	Description
0000054208~P	*		Refrigeration & Miscellaneous Parts Assembly



All orderable Service Parts are identified for this product.

Parts that are not identified, will not be available to order.

This is a typical illustration. The unit in the field may not appear exactly as shown.

Part No.	Reference No.	Quantity	Description
COV06409	1	1	COVER; VALVE
VAL09362	2	1	VALVE; CUT-OFF LIQUID
VAL09988	3	1	VALVE; CUT-OFF VALVE
SUP07202	4	1	SUPPORT; VALVE SUPPORT SUB-ASSY
VAL21003	5	1	VALVE; ELECTRONIC EXPANSION VALVE ASSY
FTG01552	6	1	FITTING; ELECTRIC EXPAND VALVE FITTING
VAL21000	7	1	VALVE; 4-WAY VALVE ASSY
TUB16399	8	1	TUBE; INHALATION TUBE SUB-ASSY
COM14366	9	1	COMPRESSOR; PLUS FITTINGS

Part No.	Reference No.	Quantity	Description
0000054173~P	*		Top-level Assembly View

