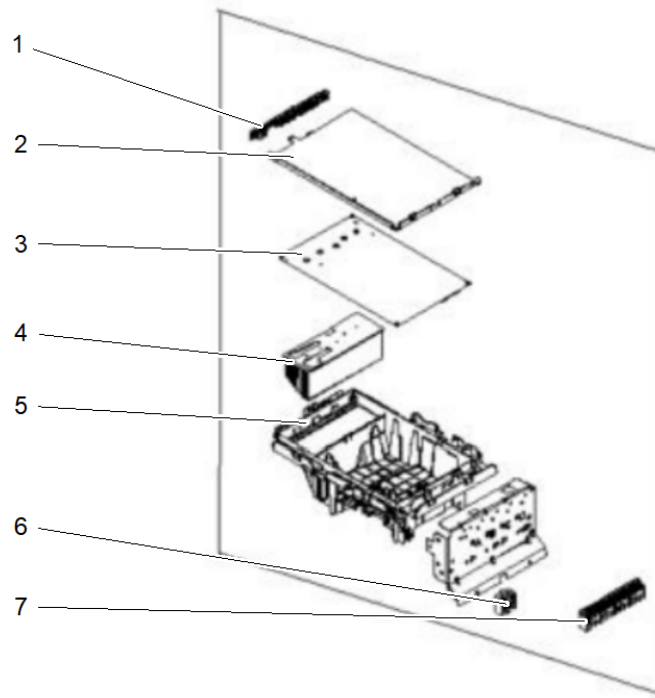


Part No.	Reference No.	Quantity	Description
0000208406~S	*		Electric Box Assembly
0000208408~S	*		Fan, Electric Heater & Panels Assembly
0000208409~S	*		Model Number Description
0000208407~S	*		Refrigeration & Miscellaneous Parts Assembly
0000208414~S	*		Top-level Assembly View

Part No.	Reference No.	Quantity	Description
000054175~P	*		Electric Box Assembly



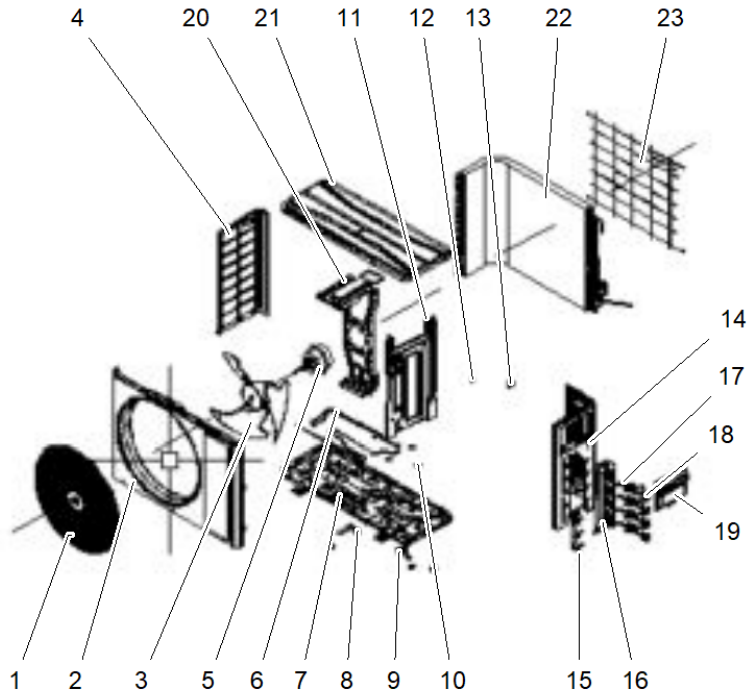
All orderable Service Parts are identified for this product.

Parts that are not identified, will not be available to order.

This is a typical illustration. The unit in the field may not appear exactly as shown.

Part No.	Reference No.	Quantity	Description
CMP01444	1	1	CLAMP; WIRE
COV06178	2	1	COVER; ELECTRIC BOX
BRD08184	3	1	BOARD; MAIN BOARD
EXC03313	4	1	EXCHANGER; RADIATOR
BOX04785	5	1	BOX; ELECTRIC BOX
SUP07205	6	1	SUPPORT; TERMIND BOARD SUB-ASSY
BRD07897	7	1	BOARD; TERMINAL
BRD07256	8	3	BOARD; TERMINAL (ELECTRICAL BOX)

Part No.	Reference No.	Quantity	Description
000054170~P	*		Fan, Electric Heater & Panels Assembly



All orderable Service Parts are identified for this product.

Parts that are not identified, will not be available to order.

This is a typical illustration. The unit in the field may not appear exactly as shown.

Part No.	Reference No.	Quantity	Description
GRL02415	1	1	GRILL; FRONT
PNL40287	2	1	PANEL; FRONT ASSY
FAN06585	3	1	FAN; AXIAL FLOW
PLT07293	4	1	PLATE; LEFT SIDE
MOT21186	5	1	MOTOR; BRUSHLESS DC MOTOR
HTR72266	6	1	HEATER; ELECTRICAL HEATER
FRM02691	7	1	FRAME; CHASSIS SUB-ASSY
CAP01252	8	4	CAP; DRAINAGE HOLE
TUB15356	9	1	TUBE; CONNECTOR (DRAIN)
BRD08216	11	1	BOARD; CLAPBOARD SUB-ASSY
IRT00060	12	7	INSERT; SENSOR
CMP01744	13	1	CLAMP; TEMPERATURE SENSOR
PNL40279	14	1	PLATE; RIGHT SIDE
PIP03626	15	1	PIPE; ATMOLYSIS PIPE SUB-ASSY
SUP07200	16	1	SUPPORT; VALVE SUPPORT SUB-ASSY
VAL20996	17	3	VALVE; CUT OFF VALVE SUB-ASSY 3/8
VAL20997	18	3	VALVE; CUT OFF VALVE SUB-ASSY(1/4)
HDL01461	19	1	HANDLE; ASSY
SUP06967	20	1	SUPPORT; MOTOR
CDS02789	22	1	CONDENSER; ASSY
GRL02417	23	1	GRILL; REAR

Part No.	Reference No.	Quantity	Description
000054167~P	*		Model Number Description

MODEL NUMBER DESCRIPTION

75015823

REV
A

Example Model Number:
4TXM2118A12N0AA
1 - - - 5 - - - - 10 - - - - 15

Digits 1 – Refrigerant
4 = R-410A

Digit 2 – Brand
T = Outdoor Unit

Digit 3 – Functional Type
X = Heat Pump Inverter

Digits 4 – Configuration Outdoor Unit
M = Multiple Refrigerant Ports

Digit 5, 6 – Efficiency Tier
21 = Up To 21 SEER

Digit 7, 8 – Nominal Capacity (Btu/h x 1,000)
18 = 18,000 Btu/h
21 = 21,000 Btu/h
24 = 24,000 Btu/h
30 = 30,000 Btu/h
36 = 36,000 Btu/h
42 = 42,000 Btu/h

Digits 9 – Major Development Sequence
A = First Development Sequence

Digits 10 – Electric Power Supply Characteristics
1 = 208-230/60/1

Digits 11 – Number of Refrigerant Ports (Multi-Split Systems)
2 = Two Port System
3 = Three Port System
4 = Four Port System
5 = Five Port System

Digits 12 – Regional Markets Served (1:1 Systems)
N = North America Market

Digits 13 – Reserved for Future Use
0 = Not Currently Used

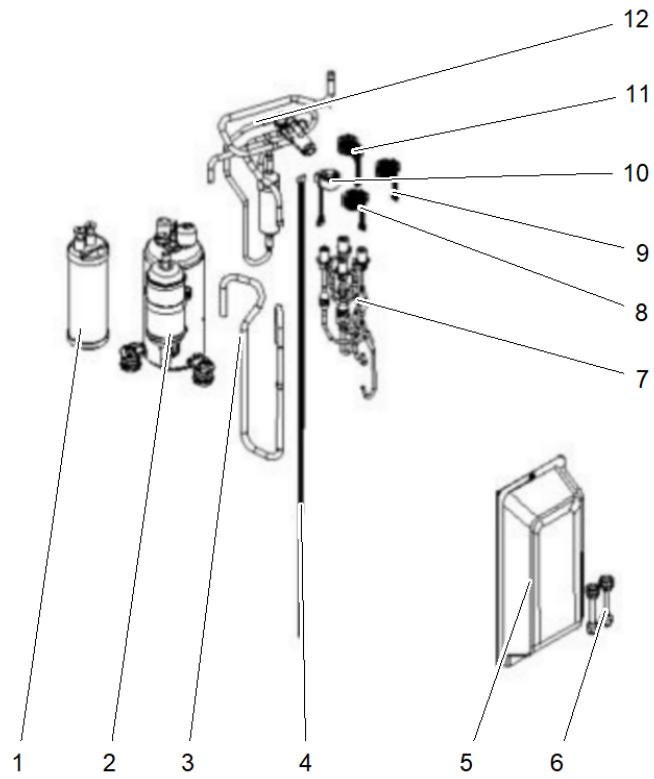
Digits 14 – Minor Design Sequence
A = First Design Sequence

Digits 15 – Service Digit
A = First Sequence

Parts List Number :0000208404

Model Number :4TXM2124A13N0AA

Part No.	Reference No.	Quantity	Description
000054176~P	*		Refrigeration & Miscellaneous Parts Assembly



All orderable Service Parts are identified for this product.

Parts that are not identified, will not be available to order.

This is a typical illustration. The unit in the field may not appear exactly as shown.

Part No.	Reference No.	Quantity	Description
SEP00268	1	1	SEPERATOR; GAS-LIQUID
COM14351	2	1	COMPRESSOR; PLUS FITTINGS
TUB16397	3	1	TUBE; INHALATION TUBE SUB-ASSY
SEN01804	4	1	SENSOR; TEMPERATURE (INCLUDES; DISCHARGE TUBE SENSOR (50K), COIL TUBE SENSOR (20K) AND OUTDOOR AMBIENT SENSOR (15K))
COV06408	5	1	COVER; VALVE
VAL21001	7	1	VALVE; ELECTRONIC EXPANSION VALVE ASSY
FTG01554	8	1	FITTING; ELECTRIC EXPAND VALVE FITTING
FTG01557	9	1	FITTING; ELECTRIC EXPAND VALVE FITTING
FTG01556	10	1	FITTING; ELECTRIC EXPAND VALVE FITTING
VAL20995	12	1	VALVE; 4-WAY VALVE ASSY

Part No.	Reference No.	Quantity	Description
0000054172~P	*		Top-level Assembly View

