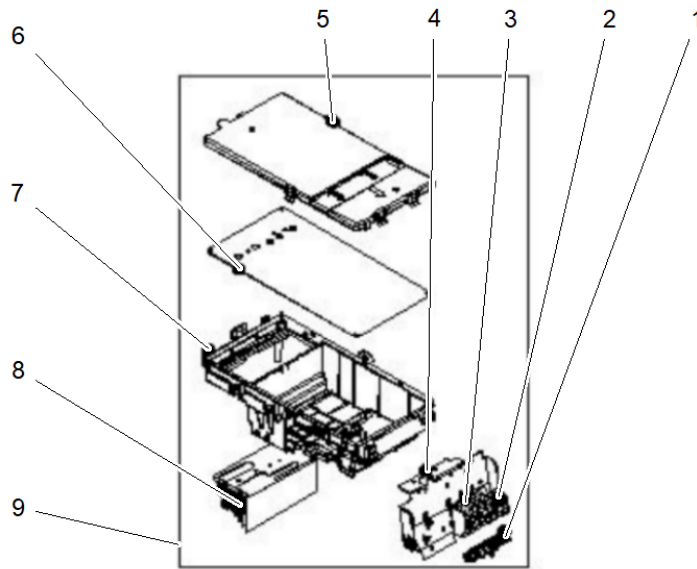


<b>Part No.</b>	<b>Reference No.</b>	<b>Quantity</b>	<b>Description</b>
0000208406~S	*		Electric Box Assembly
0000208405~S	*		Fan & Panels Assembly
0000208409~S	*		Model Number Description
0000208407~S	*		Refrigeration & Miscellaneous Parts Assembly
0000208414~S	*		Top-level Assembly View

Part No.	Reference No.	Quantity	Description
000054168~P	*		Electric Box Assembly



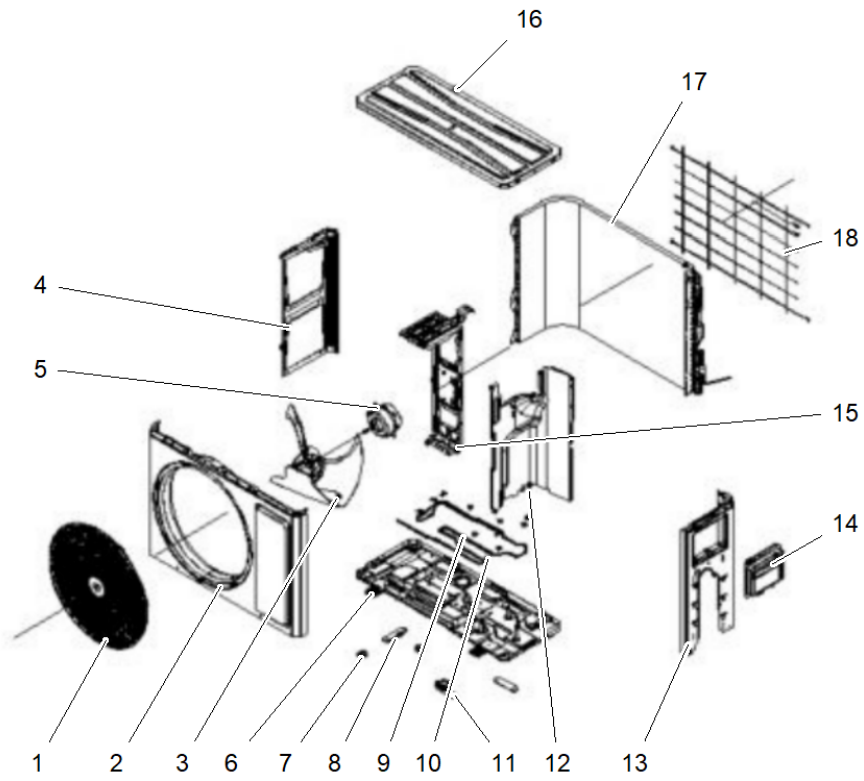
All orderable Service Parts are identified for this product.

Parts that are not identified, will not be available to order.

This is a typical illustration. The unit in the field may not appear exactly as shown.

<b>Part No.</b>	<b>Reference No.</b>	<b>Quantity</b>	<b>Description</b>
CMP01746	1	1	CLAMP; WIRE
BRD07256	2	1	BOARD; TERMINAL (ELECTRICAL BOX)
BRD07799	3	1	BOARD; TERMINAL
SUP07206	4	1	SUPPORT; TERMIND BOARD SUB-ASSY
COV06410	5	1	COVER; ELECTRIC BOX
BRD08183	6	1	BOARD; MAIN BOARD
BOX04784	7	1	BOX; ELECTRIC BOX
EXC03315	8	1	EXCHANGER; RADIATOR
BOX04780	9	1	BOX; ELECTRIC BOX ASSY

Part No.	Reference No.	Quantity	Description
000054148~P	*		Fan & Panels Assembly



All orderable Service Parts are identified for this product.

Parts that are not identified, will not be available to order.

This is a typical illustration. The unit in the field may not appear exactly as shown.

<b>Part No.</b>	<b>Reference No.</b>	<b>Quantity</b>	<b>Description</b>
GRL02413	1	1	GRILL; FRONT
CBT01968	2	1	CABINET;
FAN06584	3	1	FAN; AXIAL FLOW
PLT07541	4	1	PLATE; LEFT SIDE
MOT20618	5	1	MOTOR; BRUSHLESS DC
FRM02690	6	1	FRAME; CHASSIS SUB-ASSY
CAP01252	7	2	CAP; DRAINAGE HOLE
CAP01391	8	2	CAP; DRAINAGE HOLE
HTR72265	9	1	HEATER; ELECTRICAL HEATER (CHASSIS)
CMP01743	10	9	CLAMP;
TUB15356	11	1	TUBE; CONNECTOR (DRAIN)
BRD08214	12	1	BOARD; CLAPBOARD
PLT07543	13	1	PLATE; RIGHT SIDE
HDL01462	14	1	HANDLE; ASSY
SUP07203	15	1	SUPPORT; MOTOR
COV06405	16	1	COVER; TOP ASSY
CDS02790	17	1	CONDENSER; ASSY
GRL02416	18	1	GRILL; REAR

Part No.	Reference No.	Quantity	Description
000054167~P	*		Model Number Description

MODEL NUMBER DESCRIPTION

75015823

REV  
A

*Example Model Number:*  
**4TXM2118A12N0AA**  
1 - - - 5 - - - - 10 - - - - 15

**Digits 1 – Refrigerant**  
4 = R-410A

**Digit 2 – Brand**  
T = Outdoor Unit

**Digit 3 – Functional Type**  
X = Heat Pump Inverter

**Digits 4 – Configuration Outdoor Unit**  
M = Multiple Refrigerant Ports

**Digit 5, 6 – Efficiency Tier**  
21 = Up To 21 SEER

**Digit 7, 8 – Nominal Capacity (Btu/h x 1,000)**  
18 = 18,000 Btu/h  
21 = 21,000 Btu/h  
24 = 24,000 Btu/h  
30 = 30,000 Btu/h  
36 = 36,000 Btu/h  
42 = 42,000 Btu/h

**Digits 9 – Major Development Sequence**  
A = First Development Sequence

**Digits 10 – Electric Power Supply Characteristics**  
1 = 208-230/60/1

**Digits 11 – Number of Refrigerant Ports (Multi-Split Systems)**  
2 = Two Port System  
3 = Three Port System  
4 = Four Port System  
5 = Five Port System

**Digits 12 – Regional Markets Served (1:1 Systems)**  
N = North America Market

**Digits 13 – Reserved for Future Use**  
0 = Not Currently Used

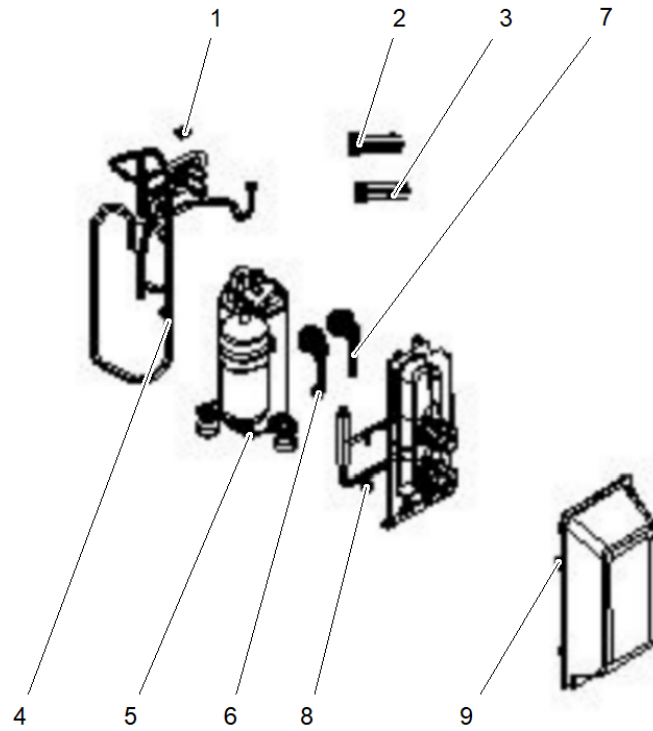
**Digits 14 – Minor Design Sequence**  
A = First Design Sequence

**Digits 15 – Service Digit**  
A = First Sequence

Parts List Number :0000208404

Model Number :4TXM2118A12N0AA

Part No.	Reference No.	Quantity	Description
0000054169~P	*		Refrigeration & Miscellaneous Parts Assembly



Parts List Number :0000208404

Model Number :4TXM2118A12N0AA

<b>Part No.</b>	<b>Reference No.</b>	<b>Quantity</b>	<b>Description</b>
COL32673	1	1	COIL; MAGNET COIL
SEN03263	2	1	SENSOR; TEMPERATURE SENSOR
SEN03262	3	1	SENSOR; SUB-ASSY
VAL20998	4	1	VALVE; 4-WAY VALVE ASSY
COM13818	5	1	COMPRESSOR;
FTG01555	6	1	FITTING; ELECTRIC EXPAND VALVE FITTING
FTG01553	7	1	FITTING; ELECTRIC EXPAND VALVE FITTING
SUP07199	8	1	SUPPORT; VALVE ASSY
COV06407	9	1	COVER; VALVE

Part No.	Reference No.	Quantity	Description
0000054171~P	*		Top-level Assembly View

