

Part No.	Reference No.	Quantity	Description
75009872#TXKUP4~S	*		GENERAL ASSEMBLY
75009919#TXKUP4~S	*		LINESETS - ACCESSORIES
75009849#TXKUP4~S	*		MODEL NOMENCLATURE
TXKUP4_TXKUP4_197991~P	*		TXKUP4 PARTS LIST

NO GRAPHIC AVAILABLE

75013702

REV
A

**NO
GRAPHIC
AVAILABLE**

MODEL NOMENCLATURE Outdoor Unit – Inverter High Wall Systems	75009849	REV A
Model Number Example 4 T X K 8 5 1 2 A 1 0 N 0 B A 1 2 3 4 5 6 7 8 9 10 11 12 13 14 15		
Digit 1 = Refrigerant 4 = R-410a	Digit 9 = Major Development Sequence A = First Development Sequence B = Second Development Sequence C = Third Development Sequence	
Digit 2 = Brand Name T = Mini Split Outdoor Unit	Digit 10 = Electric Power Supply Characteristics 1 = 208-230/60/1	
Digit 3 = Functional Type X = Heat Pump Inverter Y = Cooling Only Inverter	Digit 11 = Reserved for Future Use 0 = Not currently used	
Digit 4 = Configuration Outdoor Unit K = Single Refrigerant Circuit M = Multiple Refrigerant Circuit	Digit 12 = Regional Markets Served (1:1 Systems) N = North America Market	
Digit 5 = Efficiency Tier 6 - 16+ SEER 8 - 18+ SEER	Digit 13 = Reserved for Future Use 0 = Not currently used	
Digit 6 = Connection Type 5 - Flare	Digit 14 = Minor Design Sequence A = First Design Sequence B = Second Design Sequence C = Third Design Sequence	
Digit 7,8 = Nominal Capacity (Btu/h × 1,000) 09 = 9,000 Btu/h 12 = 12,000 Btu/h 18 = 18,000 Btu/h 24 = 24,000 Btu/h 30 = 30,000 Btu/h 36 = 36,000 Btu/h 42 = 42,000 Btu/h	Digit 15 = Service Digit A = First Sequence	

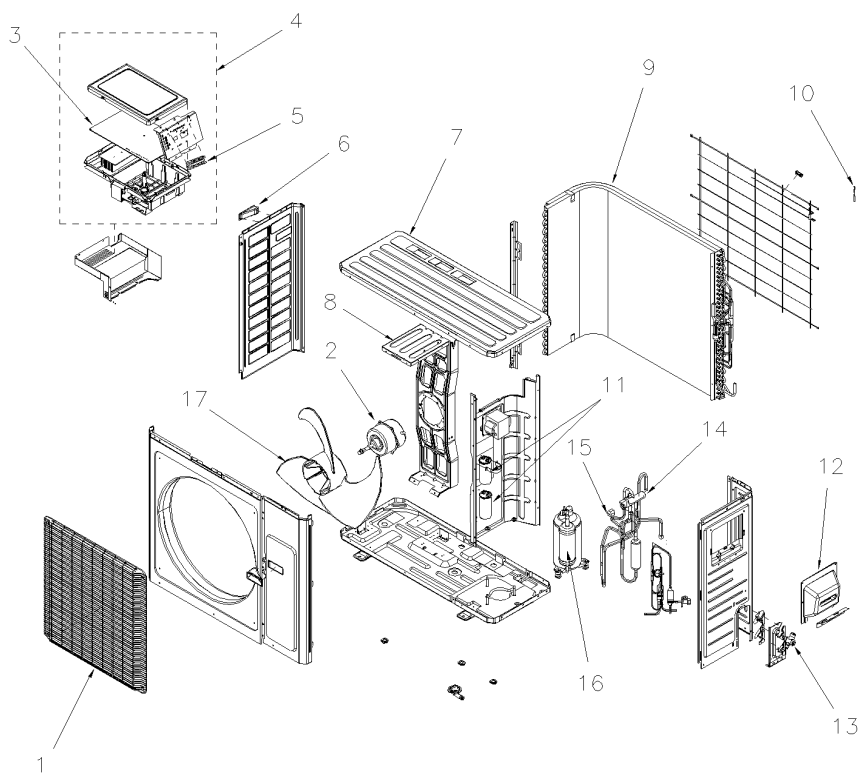
Part No.	Reference No.	Quantity	Description
75009849_TXKUP4_197992-P	*		MODEL NOMENCLATURE PARTS LIST

MODEL NOMENCLATURE Outdoor Unit – Inverter High Wall Systems	75009849	REV A
Model Number Example 4 T X K 8 5 1 2 A 1 0 N 0 B A 1 2 3 4 5 6 7 8 9 10 11 12 13 14 15		
Digit 1 = Refrigerant 4 = R-410a Digit 2 = Brand Name T = Mini Split Outdoor Unit Digit 3 = Functional Type X = Heat Pump Inverter Y = Cooling Only Inverter Digit 4 = Configuration Outdoor Unit K = Single Refrigerant Circuit M = Multiple Refrigerant Circuit Digit 5 = Efficiency Tier 6 - 16+ SEER 8 - 18+ SEER Digit 6 = Connection Type 5 - Flare Digit 7,8 = Nominal Capacity (Btu/h x 1,000) 09 = 9,000 Btu/h 12 = 12,000 Btu/h 18 = 18,000 Btu/h 24 = 24,000 Btu/h 30 = 30,000 Btu/h 36 = 36,000 Btu/h 42 = 42,000 Btu/h	Digit 9 = Major Development Sequence A = First Development Sequence B = Second Development Sequence C = Third Development Sequence Digit 10 = Electric Power Supply Characteristics 1 = 208-230/60/1 Digit 11 = Reserved for Future Use 0 = Not currently used Digit 12 = Regional Markets Served (1:1 Systems) N = North America Market Digit 13 = Reserved for Future Use 0 = Not currently used Digit 14 = Minor Design Sequence A = First Design Sequence B = Second Design Sequence C = Third Design Sequence Digit 15 = Service Digit A = First Sequence	

GENERAL ASSEMBLY

75009872

REV
A



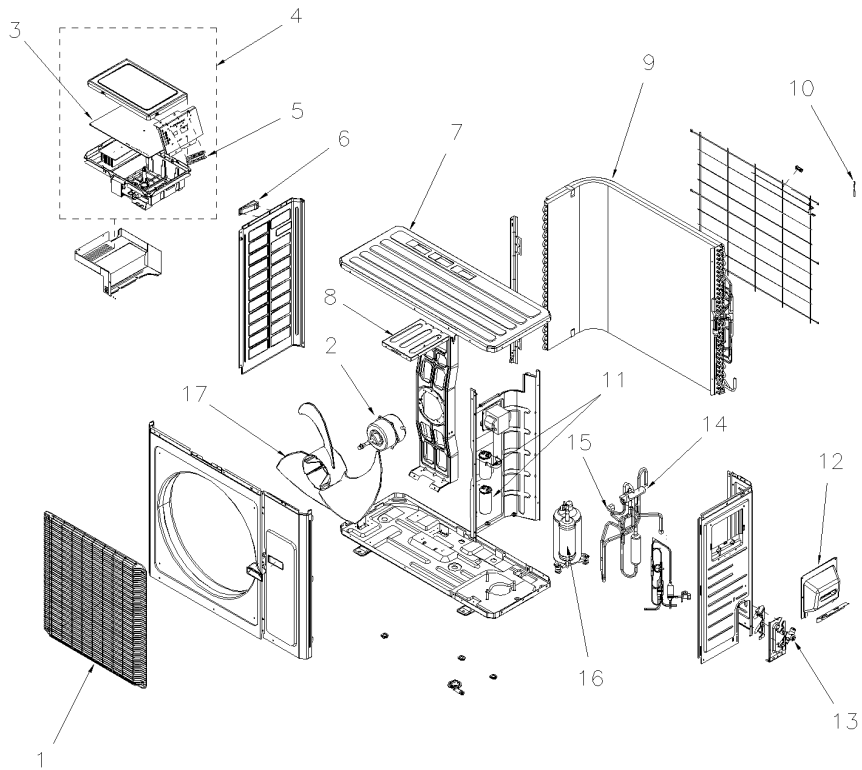
* NOT ILLUSTRATED
TYPICAL ILLUSTRATION

Part No.	Reference No.	Quantity	Description
75009872_TXKUP4_334940-P	*		GENERAL ASSEMBLY PARTS LIST

GENERAL ASSEMBLY

75009872

REV
A



* NOT ILLUSTRATED
TYPICAL ILLUSTRATION

Part No.	Reference No.	Quantity	Description
PAI00420	*	1	PAINT; CUSTOM PAINT MATCH FOR MINI SPLIT
PNL31638	*	1	PANEL; FRONT
GRL01838	1	1	GRILL; FRONT
MOT13813	2	1	MOTOR; FAN (1501506205)
BRD04344	3	1	BOARD; MAIN
CNT06798	4	1	CONTROL; ELECTRIC BOX ASSEMBLY
BRD03384	5	1	BOARD; TERMINAL
HDL01103	6	2	HANDLE; LEFT HANDLE(26235401)
COV04461	7	1	COVER; TOP
SUP05538	8	1	SUPPORT; MOTOR SUB-ASSEMBLY
COL18451	9	1	COIL; ASSEMBLY, CONDENSER
SEN01804	10	1	SENSOR; TEMPERATURE (INCLUDES; DISCHARGE TUBE SENSOR (50K), COIL TUBE SENSOR (20K) AND OUTDOOR AMBIENT SENSOR (15K))
CPT01756	11	1	CAPACITOR; CBB61 (33010011)
HDL01233	12	1	HANDLE; BIG
VAL09900	13	1	VALVE; CUT-OFF (GAS)
VAL10601	14	1	VALVE; ASSEMBLY, 4 WAY
COL16754	15	1	COIL; SOLNOID REVERSING VALVE
COM10572	16	1	COMPRESSOR; ASSEMBLY AND FITTINGS
FAN04377	17	1	FAN; AXIAL FLOW (10335005)

		LineSets for MiniSplits						75009919
	Size and Length	Used for	Models (Frame Outdoor Unit P/Ns)					
1	KIT16423 ¾ x 3/8 - 25'	16 SEER 9MBH & 12 MBH 18 SEER 9MBH & 12 MBH	4TYK6509A10N0BA	4TYK6512A10N0BA	4TXK6509A10N0BA	4TXK6512A10N0BA	4TXK8509A10N0BA & 4TXK8509A10N0CA	4TXK8512A10N0BA & 4TXK8512A10N0CA
2	KIT16424 ¾ x 3/8 - 35'	16 SEER 9MBH & 12 MBH 18 SEER 9MBH & 12 MBH	4TYK6509A10N0BA	4TYK6512A10N0BA	4TXK6509A10N0BA	4TXK6512A10N0BA	4TXK8509A10N0BA & 4TXK8509A10N0CA	4TXK8512A10N0BA & 4TXK8512A10N0CA
3	KIT15228 ¾ x 3/8 - 50'	16 SEER 9MBH & 12 MBH 18 SEER 9MBH & 12 MBH	4TYK6509A10N0BA	4TYK6512A10N0BA	4TXK6509A10N0BA	4TXK6512A10N0BA	4TXK8509A10N0BA & 4TXK8509A10N0CA	4TXK8512A10N0BA & 4TXK8512A10N0CA
4	KIT16425 ¾ x ½ - 25'	16 SEER 18MBH & 24MBH 18 SEER 18MBH	4TYK6518A10N0BA	4TYK6524A10N0BA	4TXK6518A10N0BA	4TXK6524A10N0BA	4TXK8518A10N0BA & 4TXK8518A10N0CA	
5	KIT16426 ¾ x ½ - 35'	16 SEER 18MBH & 24MBH 18 SEER 18MBH	4TYK6518A10N0BA	4TYK6524A10N0BA	4TXK6518A10N0BA	4TXK6524A10N0BA	4TXK8518A10N0BA & 4TXK8518A10N0CA	
6	KIT15229 ¾ x ½ - 50'	16 SEER 18MBH & 24MBH 18 SEER 18MBH	4TYK6518A10N0BA	4TYK6524A10N0BA	4TXK6518A10N0BA	4TXK6524A10N0BA	4TXK8518A10N0BA & 4TXK8518A10N0CA	
7	KIT16427 ¾ x 5/8 - 25'	18 SEER 24MBH & 30MBH	4TXK8524A10N0BA & 4TXK8524A10N0CA	4TXK8536A10N0BA & 4TXK8536A10N0CA				
8	KIT16428 ¾ x 5/8 - 35'	18 SEER 24MBH & 30MBH	4TXK8524A10N0BA & 4TXK8524A10N0CA	4TXK8536A10N0BA & 4TXK8536A10N0CA				
9	KIT15230 ¾ x 5/8 - 50'	18 SEER 24MBH & 30MBH	4TXK8524A10N0BA & 4TXK8524A10N0CA	4TXK8536A10N0BA & 4TXK8536A10N0CA				

Part No.	Reference No.	Quantity	Description
75009919_TXKUP4_242935-P	*		LINESETS - ACCESSORIES PARTS LIST

		LineSets for MiniSplits					75009919		
		Used for	Models (Frame Outdoor Unit P/Ns)						
	Size and Length								
1	KIT16423	1/4" x 3/8" - 25'	16 SEER 9MMh & 12 MMh 18 SEER 9MMh & 12 MMh	4TYK6509A10N0BA	4TYK6512A10N0BA	4TXK6509A10N0BA	4TXK6512A10N0BA	4TXK8509A10N0BA & 4TXK8509A10N0CA	4TXK8512A10N0BA & 4TXK8512A10N0CA
2	KIT16424	1/4" x 3/8" - 35'	16 SEER 9MMh & 12 MMh 18 SEER 9MMh & 12 MMh	4TYK6509A10N0BA	4TYK6512A10N0BA	4TXK6509A10N0BA	4TXK6512A10N0BA	4TXK8509A10N0BA & 4TXK8509A10N0CA	4TXK8512A10N0BA & 4TXK8512A10N0CA
3	KIT15228	1/4" x 3/8" - 50'	16 SEER 9MMh & 12 MMh 18 SEER 9MMh & 12 MMh	4TYK6509A10N0BA	4TYK6512A10N0BA	4TXK6509A10N0BA	4TXK6512A10N0BA	4TXK8509A10N0BA & 4TXK8509A10N0CA	4TXK8512A10N0BA & 4TXK8512A10N0CA
4	KIT16425	1/4" x 1/2" - 25'	16 SEER 18MMh & 24MMh 18 SEER 18MMh	4TYK6518A10N0BA	4TYK6524A10N0BA	4TXK6518A10N0BA	4TXK6524A10N0BA	4TXK8518A10N0BA & 4TXK8518A10N0CA	
5	KIT16426	1/4" x 1/2" - 35'	16 SEER 18MMh & 24MMh 18 SEER 18MMh	4TYK6518A10N0BA	4TYK6524A10N0BA	4TXK6518A10N0BA	4TXK6524A10N0BA	4TXK8518A10N0BA & 4TXK8518A10N0CA	
6	KIT15229	1/4" x 1/2" - 50'	16 SEER 18MMh & 24MMh 18 SEER 18MMh	4TYK6518A10N0BA	4TYK6524A10N0BA	4TXK6518A10N0BA	4TXK6524A10N0BA	4TXK8518A10N0BA & 4TXK8518A10N0CA	
7	KIT16427	1/4" x 5/8" - 25'	18 SEER 24MMh & 36MMh	4TXK8524A10N0BA & 4TXK8524A10N0CA	4TXK8536A10N0BA & 4TXK8536A10N0CA				
8	KIT16428	1/4" x 5/8" - 35'	18 SEER 24MMh & 36MMh	4TXK8524A10N0BA & 4TXK8524A10N0CA	4TXK8536A10N0BA & 4TXK8536A10N0CA				
9	KIT15230	1/4" x 5/8" - 50'	18 SEER 24MMh & 36MMh	4TXK8524A10N0BA & 4TXK8524A10N0CA	4TXK8536A10N0BA & 4TXK8536A10N0CA				

Parts List Number :TXKUP4#TXKUP4

Model Number :4TXK8524A10N0BA

Part No.	Reference No.	Quantity	Description
KIT16427	7	1	LINE SET; 1/4 X 5/8 X 1/2 X 25FT MINI-SPLIT NO BEND, NO PLAIN END, HAS FLARE FITTINGS, NO CONTROL WIRE MUE 41020250B3B6
KIT16428	8	1	LINE SET; 1/4 X 5/8 X 1/2 X 35FT MINI-SPLIT NO BEND, NO PLAIN END, HAS FLARE FITTINGS, NO CONTROL WIRE MUE 41020350B3B6
KIT15230	9	1	LINE SET; 1/4 X 5/8 X 1/2 X 50FT MINI-SPLIT NO BEND, NO PLAIN END, HAS FLARE FITTINGS, NO CONTROL WIRE MUE 41020500B3B6