

Part No.	Reference No.	Quantity	Description
4MXWUP1_4MXWUP1_270571~ P	*		4MXWUP1 PARTS LIST
75010582#4MXWUP1~S	*		ELECTRIC BOX ASSEMBLY 1.5 & 2.0 TON OUTDOOR
75010578#4MXWUP1~S	*		GENERAL ASSEMBLY 1.5 TON OUTDOOR
75009849#4MXWUP1~S	*		OUTDOOR 4TXK MODEL NOMENCLATURE
75009919#4MXWUP1~S	*		OUTDOOR LINESETS & ACCESSORIES

NO GRAPHIC AVAILABLE

75013702

REV
A

**NO
GRAPHIC
AVAILABLE**

MODEL NOMENCLATURE Outdoor Unit – Inverter High Wall Systems	75009849	REV A
Model Number Example 4 T X K 8 5 1 2 A 1 0 N 0 B A 1 2 3 4 5 6 7 8 9 10 11 12 13 14 15		
Digit 1 = Refrigerant 4 = R-410a	Digit 9 = Major Development Sequence A = First Development Sequence B = Second Development Sequence C = Third Development Sequence	
Digit 2 = Brand Name T = Mini Split Outdoor Unit	Digit 10 = Electric Power Supply Characteristics 1 = 208-230/60/1	
Digit 3 = Functional Type X = Heat Pump Inverter Y = Cooling Only Inverter	Digit 11 = Reserved for Future Use 0 = Not currently used	
Digit 4 = Configuration Outdoor Unit K = Single Refrigerant Circuit M = Multiple Refrigerant Circuit	Digit 12 = Regional Markets Served (1:1 Systems) N = North America Market	
Digit 5 = Efficiency Tier 6 - 16+ SEER 8 - 18+ SEER	Digit 13 = Reserved for Future Use 0 = Not currently used	
Digit 6 = Connection Type 5 - Flare	Digit 14 = Minor Design Sequence A = First Design Sequence B = Second Design Sequence C = Third Design Sequence	
Digit 7,8 = Nominal Capacity (Btu/h × 1,000) 09 = 9,000 Btu/h 12 = 12,000 Btu/h 18 = 18,000 Btu/h 24 = 24,000 Btu/h 30 = 30,000 Btu/h 36 = 36,000 Btu/h 42 = 42,000 Btu/h	Digit 15 = Service Digit A = First Sequence	

Parts List Number :4MXWUP1#4MXWUP1

Model Number :4TXK8518A10N0CA

Part No.	Reference No.	Quantity	Description
75009849_4MXWUP1_290325~P	*		OUTDOOR 4TXK MODEL NOMENCLATURE PARTS LIST

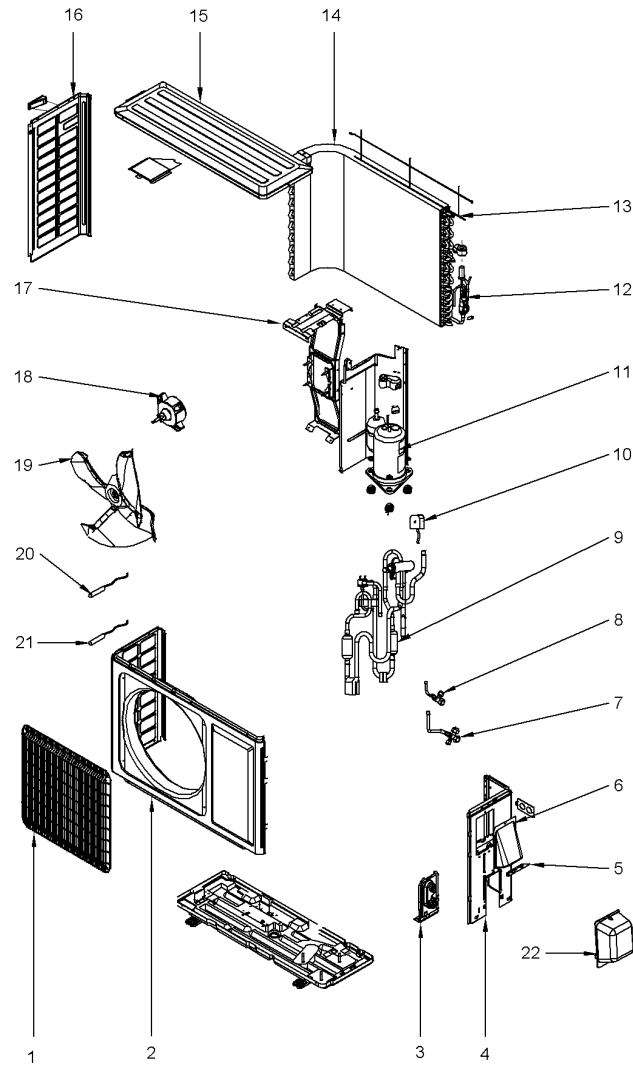
MODEL NOMENCLATURE Outdoor Unit – Inverter High Wall Systems	75009849	REV A
Model Number Example 4 T X K 8 5 1 2 A 1 0 N 0 B A 1 2 3 4 5 6 7 8 9 10 11 12 13 14 15		
Digit 1 = Refrigerant 4 = R-410a	Digit 9 = Major Development Sequence A = First Development Sequence B = Second Development Sequence C = Third Development Sequence	
Digit 2 = Brand Name T = Mini Split Outdoor Unit	Digit 10 = Electric Power Supply Characteristics 1 = 208-230/60/1	
Digit 3 = Functional Type X = Heat Pump Inverter Y = Cooling Only Inverter	Digit 11 = Reserved for Future Use 0 = Not currently used	
Digit 4 = Configuration Outdoor Unit K = Single Refrigerant Circuit M = Multiple Refrigerant Circuit	Digit 12 = Regional Markets Served (1:1 Systems) N = North America Market	
Digit 5 = Efficiency Tier 6 - 16+ SEER 8 - 18+ SEER	Digit 13 = Reserved for Future Use 0 = Not currently used	
Digit 6 = Connection Type 5 - Flare	Digit 14 = Minor Design Sequence A = First Design Sequence B = Second Design Sequence C = Third Design Sequence	
Digit 7,8 = Nominal Capacity (Btu/h × 1,000) 09 = 9,000 Btu/h 12 = 12,000 Btu/h 18 = 18,000 Btu/h 24 = 24,000 Btu/h 30 = 30,000 Btu/h 36 = 36,000 Btu/h 42 = 42,000 Btu/h	Digit 15 = Service Digit A = First Sequence	

GENERAL ASSEMBLY

75010578

REV.
A

1.5 TON
TYPICAL ILLUSTRATION



Parts List Number :4MXWUP1#4MXWUP1

Model Number :4TXK8518A10N0CA

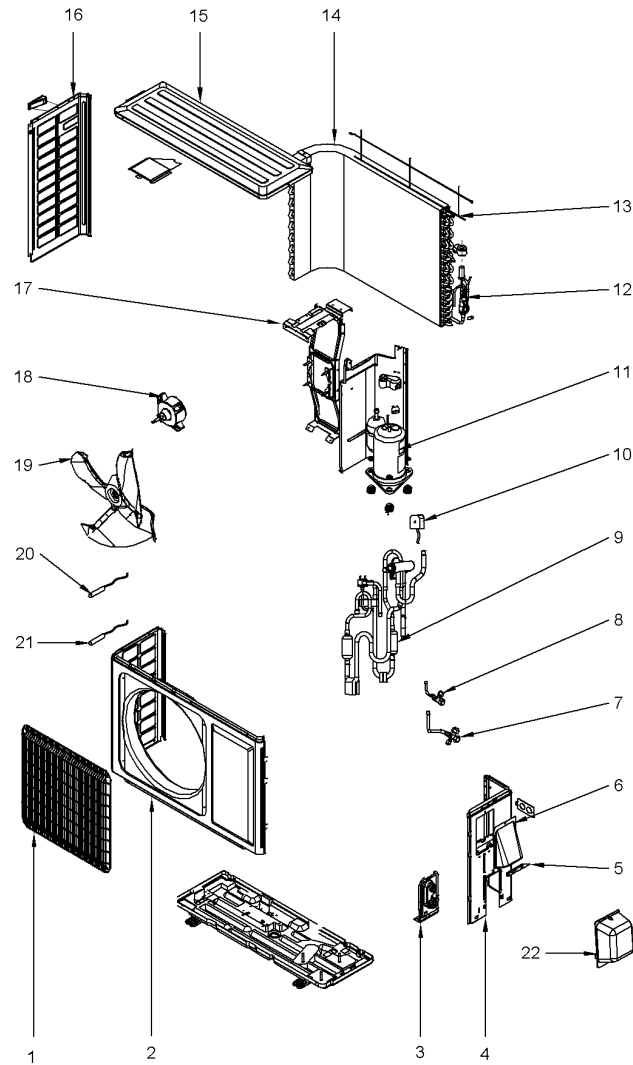
Part No.	Reference No.	Quantity	Description
75010578_4MXWUP1_337509~P	*		GENERAL ASSEMBLY 1.5 TON OUTDOOR PARTS LIST

GENERAL ASSEMBLY

75010578

REV.
A

1.5 TON
TYPICAL ILLUSTRATION



Parts List Number :4MXWUP1#4MXWUP1

Model Number :4TXK8518A10N0CA

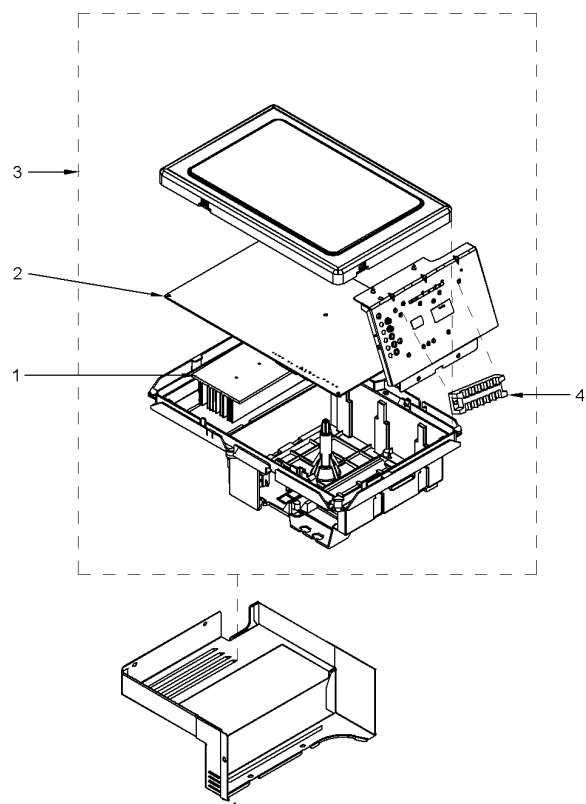
Part No.	Reference No.	Quantity	Description
FTG01288	*	1	FITTING; DRAINAGE JOINT
PAI00420	*	1	PAINT; CUSTOM PAINT MATCH FOR MINI SPLIT
SEP00106	*	1	SEPARATOR; GAS-LIQUID SEPARATOR ASSY(07225017)
GRL01688	1	1	GRILLE; REAR GRILL
CAS02041	2	1	CASING; CABINET
SUP05280	3	1	SUPPORT; VALVE SUPPORT ASSY
PLT05255	4	1	PLATE; RIGHT SIDE
BLK01462	5	1	BLOCK;
HDL01100	6	1	HANDLE; HANDLE ASSY(02113109)
VAL10609	7	1	VALVE; CUTOFF SUB-ASSEMBLY
VAL09362	8	1	VALVE; CUT-OFF LIQUID
VAL10603	9	1	VALVE; ASSEMBLY, 4 WAY
COL16754	10	1	COIL; SOLNOID REVERSING VALVE
COM10573	11	1	COMPRESSOR; ASSEMBLY AND FITTINGS
VAL11607	12	1	VALVE; ELECTRONIC EXPANSION ASSY
GRL01689	13	1	GRILLE; FRONT GRILL
COL18455	14	1	COIL; ASSEMBLY, CONDENSER
COV04192	15	1	COVER; TOP COVER
PNL29955	16	1	PANEL; FRONT SIDE
SUP05539	17	1	SUPPORT; MOTOR SUB-ASSEMBLY
MOT14615	18	1	MOTOR; BRUSHLESS DC FAN, 60W, 370V
FAN04378	19	1	FAN; AXIAL FLOW
SEN01804	20	1	SENSOR; TEMPERATURE (INCLUDES; DISCHARGE TUBE SENSOR (50K), COIL TUBE SENSOR (20K) AND OUTDOOR AMBIENT SENSOR (15K))
SEN02042	21	1	SENSOR; TEMPERATURE
COV04872	22	1	COVER; VALVE COVER

ELECTRIC BOX ASSEMBLY

75010582

REV.
A

1.5 & 2.0 TON
TYPICAL ILLUSTRATION



Parts List Number :4MXWUP1#4MXWUP1

Model Number :4TXK8518A10N0CA

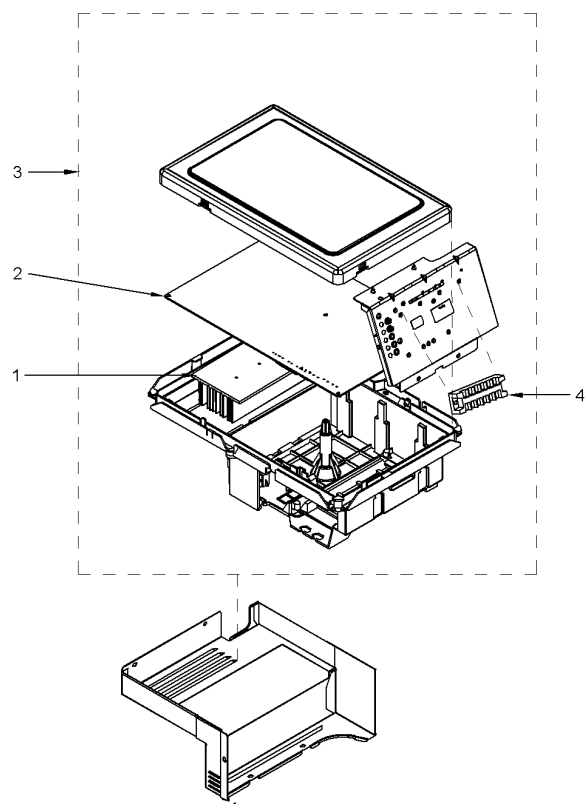
Part No.	Reference No.	Quantity	Description
75010582_4MXWUP1_337510~P	*		ELECTRIC BOX ASSEMBLY 1.5 & 2.0 TON OUTDOOR PARTS LIST

ELECTRIC BOX ASSEMBLY

75010582

REV.
A

1.5 & 2.0 TON
TYPICAL ILLUSTRATION



Parts List Number :4MXWUP1#4MXWUP1

Model Number :4TXK8518A10N0CA

Part No.	Reference No.	Quantity	Description
EXC02410	1	1	EXCHANGER; HEAT SINK
BRD04343	2	1	BOARD; MAIN
CNT06796	3	1	CONTROL; ELECTRIC BOX ASSEMBLY
BRD03384	4	1	BOARD; TERMINAL

		Line Sets for Mini Splits					75009919		
Size and Length		Used for	Models (Frame Outdoor Unit P/Ns)						
1	KIT16423	1/4" x 3/8" - 25'	16 SEER 9MMh & 12 MMh 18 SEER 9MMh & 12 MMh	4TYK6509A10N0BA	4TYK6512A10N0BA	4TXK6509A10N0BA	4TXK6512A10N0BA	4TXK8509A10N0BA & 4TXK8509A10N0CA	4TXK8512A10N0BA & 4TXK8512A10N0CA
2	KIT16424	1/4" x 3/8" - 35'	16 SEER 9MMh & 12 MMh 18 SEER 9MMh & 12 MMh	4TYK6509A10N0BA	4TYK6512A10N0BA	4TXK6509A10N0BA	4TXK6512A10N0BA	4TXK8509A10N0BA & 4TXK8509A10N0CA	4TXK8512A10N0BA & 4TXK8512A10N0CA
3	KIT15228	1/4" x 3/8" - 50'	16 SEER 9MMh & 12 MMh 18 SEER 9MMh & 12 MMh	4TYK6509A10N0BA	4TYK6512A10N0BA	4TXK6509A10N0BA	4TXK6512A10N0BA	4TXK8509A10N0BA & 4TXK8509A10N0CA	4TXK8512A10N0BA & 4TXK8512A10N0CA
4	KIT16425	1/4" x 1/2" - 25'	16 SEER 18MMh & 24MMh 18 SEER 18MMh	4TYK6518A10N0BA	4TYK6524A10N0BA	4TXK6518A10N0BA	4TXK6524A10N0BA	4TXK8518A10N0BA & 4TXK8518A10N0CA	
5	KIT16426	1/4" x 1/2" - 35'	16 SEER 18MMh & 24MMh 18 SEER 18MMh	4TYK6518A10N0BA	4TYK6524A10N0BA	4TXK6518A10N0BA	4TXK6524A10N0BA	4TXK8518A10N0BA & 4TXK8518A10N0CA	
6	KIT15229	1/4" x 1/2" - 50'	16 SEER 18MMh & 24MMh 18 SEER 18MMh	4TYK6518A10N0BA	4TYK6524A10N0BA	4TXK6518A10N0BA	4TXK6524A10N0BA	4TXK8518A10N0BA & 4TXK8518A10N0CA	
7	KIT16427	1/4" x 5/8" - 25'	18 SEER 24MMh & 36MMh	4TXK8524A10N0BA & 4TXK8524A10N0CA	4TXK8536A10N0BA & 4TXK8536A10N0CA				
8	KIT16428	1/4" x 5/8" - 35'	18 SEER 24MMh & 36MMh	4TXK8524A10N0BA & 4TXK8524A10N0CA	4TXK8536A10N0BA & 4TXK8536A10N0CA				
9	KIT15230	1/4" x 5/8" - 50'	18 SEER 24MMh & 36MMh	4TXK8524A10N0BA & 4TXK8524A10N0CA	4TXK8536A10N0BA & 4TXK8536A10N0CA				

Part No.	Reference No.	Quantity	Description
75009919_4MXWUP1_337508~P	*		OUTDOOR LINESETS & ACCESSORIES PARTS LIST

OUTDOOR LINESETS & ACCESSORIES PARTS LIST

Parts List Number :4MXWUP1#4MXWUP1

Model Number :4TXK8518A10N0CA

		Line Sets for Mini Splits					75009919		
Size and Length		Used for	Models (Frame Outdoor Unit P/Ns)						
1	KIT16423	1/4" x 3/8" - 25'	16 SEER 9MMh & 12 MMh 18 SEER 9MMh & 12 MMh	4TYK6509A10N0BA	4TYK6512A10N0BA	4TXK6509A10N0BA	4TXK6512A10N0BA	4TXK8509A10N0BA & 4TXK8509A10N0CA	4TXK8512A10N0BA & 4TXK8512A10N0CA
2	KIT16424	1/4" x 3/8" - 35'	16 SEER 9MMh & 12 MMh 18 SEER 9MMh & 12 MMh	4TYK6509A10N0BA	4TYK6512A10N0BA	4TXK6509A10N0BA	4TXK6512A10N0BA	4TXK8509A10N0BA & 4TXK8509A10N0CA	4TXK8512A10N0BA & 4TXK8512A10N0CA
3	KIT15228	1/4" x 3/8" - 50'	16 SEER 9MMh & 12 MMh 18 SEER 9MMh & 12 MMh	4TYK6509A10N0BA	4TYK6512A10N0BA	4TXK6509A10N0BA	4TXK6512A10N0BA	4TXK8509A10N0BA & 4TXK8509A10N0CA	4TXK8512A10N0BA & 4TXK8512A10N0CA
4	KIT16425	1/4" x 1/2" - 25'	16 SEER 18MMh & 24MMh 18 SEER 18MMh	4TYK6518A10N0BA	4TYK6524A10N0BA	4TXK6518A10N0BA	4TXK6524A10N0BA	4TXK8518A10N0BA & 4TXK8518A10N0CA	
5	KIT16426	1/4" x 1/2" - 35'	16 SEER 18MMh & 24MMh 18 SEER 18MMh	4TYK6518A10N0BA	4TYK6524A10N0BA	4TXK6518A10N0BA	4TXK6524A10N0BA	4TXK8518A10N0BA & 4TXK8518A10N0CA	
6	KIT15229	1/4" x 1/2" - 50'	16 SEER 18MMh & 24MMh 18 SEER 18MMh	4TYK6518A10N0BA	4TYK6524A10N0BA	4TXK6518A10N0BA	4TXK6524A10N0BA	4TXK8518A10N0BA & 4TXK8518A10N0CA	
7	KIT16427	1/4" x 5/8" - 25'	18 SEER 24MMh & 36MMh	4TXK8524A10N0BA & 4TXK8524A10N0CA	4TXK8536A10N0BA & 4TXK8536A10N0CA				
8	KIT16428	1/4" x 5/8" - 35'	18 SEER 24MMh & 36MMh	4TXK8524A10N0BA & 4TXK8524A10N0CA	4TXK8536A10N0BA & 4TXK8536A10N0CA				
9	KIT15230	1/4" x 5/8" - 50'	18 SEER 24MMh & 36MMh	4TXK8524A10N0BA & 4TXK8524A10N0CA	4TXK8536A10N0BA & 4TXK8536A10N0CA				

Parts List Number :4MXWUP1#4MXWUP1

Model Number :4TXK8518A10N0CA

Part No.	Reference No.	Quantity	Description
KIT16425	4	1	LINE SET; 1/4 X 1/2 X 1/2 X 25FT MINI-SPLIT NO BEND, NO PLAIN END, HAS FLARE FITTINGS, NO CONTROL WIRE MUE 40820250B3B6
KIT16426	5	1	LINE SET; 1/4 X 1/2 X 1/2 X 35FT MINI-SPLIT NO BEND, NO PLAIN END, HAS FLARE FITTINGS, NO CONTROL WIRE MUE 40820350B3B6
KIT15229	6	1	LINE SET; 1/4 X 1/2 X 1/2 X 50FT MINI-SPLIT NO BEND, NO PLAIN END, HAS FLARE FITTINGS, NO CONTROL WIRE MUE 40820500B3B6