

Part No.	Reference No.	Quantity	Description
4MXWUP1_4MXWUP1_270571~ P	*		4MXWUP1 PARTS LIST
75010581#4MXWUP1~S	*		ELECTRIC BOX ASSEMBLY 3/4 & 1.0 TON OUTDOOR
75010577#4MXWUP1~S	*		GENERAL ASSEMBLY 3/4 & 1 TON OUTDOOR
75009849#4MXWUP1~S	*		OUTDOOR 4TXK MODEL NOMENCLATURE
75009919#4MXWUP1~S	*		OUTDOOR LINESETS & ACCESSORIES

NO GRAPHIC AVAILABLE

75013702

REV
A

**NO
GRAPHIC
AVAILABLE**

MODEL NOMENCLATURE Outdoor Unit – Inverter High Wall Systems	75009849	REV A
Model Number Example 4 T X K 8 5 1 2 A 1 0 N 0 B A 1 2 3 4 5 6 7 8 9 10 11 12 13 14 15		
Digit 1 = Refrigerant 4 = R-410a Digit 2 = Brand Name T = Mini Split Outdoor Unit Digit 3 = Functional Type X = Heat Pump Inverter Y = Cooling Only Inverter Digit 4 = Configuration Outdoor Unit K = Single Refrigerant Circuit M = Multiple Refrigerant Circuit Digit 5 = Efficiency Tier 6 - 16+ SEER 8 - 18+ SEER Digit 6 = Connection Type 5 - Flare Digit 7,8 = Nominal Capacity (Btu/h x 1,000) 09 = 9,000 Btu/h 12 = 12,000 Btu/h 18 = 18,000 Btu/h 24 = 24,000 Btu/h 30 = 30,000 Btu/h 36 = 36,000 Btu/h 42 = 42,000 Btu/h	Digit 9 = Major Development Sequence A = First Development Sequence B = Second Development Sequence C = Third Development Sequence Digit 10 = Electric Power Supply Characteristics 1 = 208-230/60/1 Digit 11 = Reserved for Future Use 0 = Not currently used Digit 12 = Regional Markets Served (1:1 Systems) N = North America Market Digit 13 = Reserved for Future Use 0 = Not currently used Digit 14 = Minor Design Sequence A = First Design Sequence B = Second Design Sequence C = Third Design Sequence Digit 15 = Service Digit A = First Sequence	

Parts List Number :4MXWUP1#4MXWUP1

Model Number :4TXK8509A10N0CA

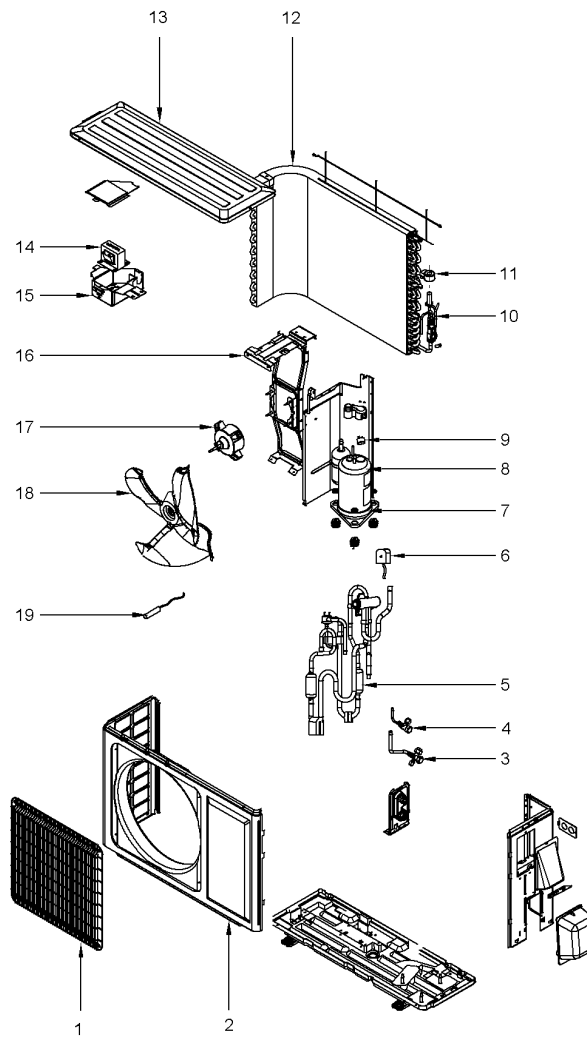
Part No.	Reference No.	Quantity	Description
75009849_4MXWUP1_290325~P	*		OUTDOOR 4TXK MODEL NOMENCLATURE PARTS LIST

MODEL NOMENCLATURE Outdoor Unit – Inverter High Wall Systems	75009849	REV A
Model Number Example 4 T X K 8 5 1 2 A 1 0 N 0 B A 1 2 3 4 5 6 7 8 9 10 11 12 13 14 15		
Digit 1 = Refrigerant 4 = R-410a	Digit 9 = Major Development Sequence A = First Development Sequence B = Second Development Sequence C = Third Development Sequence	
Digit 2 = Brand Name T = Mini Split Outdoor Unit	Digit 10 = Electric Power Supply Characteristics 1 = 208-230/60/1	
Digit 3 = Functional Type X = Heat Pump Inverter Y = Cooling Only Inverter	Digit 11 = Reserved for Future Use 0 = Not currently used	
Digit 4 = Configuration Outdoor Unit K = Single Refrigerant Circuit M = Multiple Refrigerant Circuit	Digit 12 = Regional Markets Served (1:1 Systems) N = North America Market	
Digit 5 = Efficiency Tier 6 - 16+ SEER 8 - 18+ SEER	Digit 13 = Reserved for Future Use 0 = Not currently used	
Digit 6 = Connection Type 5 - Flare	Digit 14 = Minor Design Sequence A = First Design Sequence B = Second Design Sequence C = Third Design Sequence	
Digit 7,8 = Nominal Capacity (Btu/h x 1,000) 09 = 9,000 Btu/h 12 = 12,000 Btu/h 18 = 18,000 Btu/h 24 = 24,000 Btu/h 30 = 30,000 Btu/h 36 = 36,000 Btu/h 42 = 42,000 Btu/h	Digit 15 = Service Digit A = First Sequence	

GENERAL ASSEMBLY
3/4 TON
TYPICAL ILLUSTRATION

75010577

REV.
A



Parts List Number :4MXWUP1#4MXWUP1

Model Number :4TXK8509A10N0CA

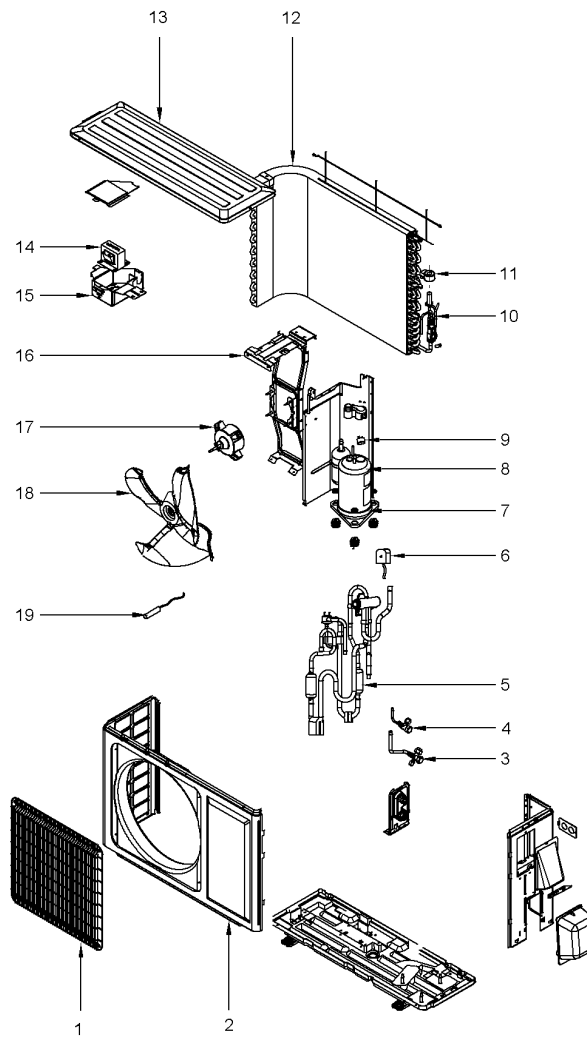
Part No.	Reference No.	Quantity	Description
75010577_4MXWUP1_375977~P	*		GENERAL ASSEMBLY 3/4 & 1 TON OUTDOOR PARTS LIST

GENERAL ASSEMBLY

75010577

REV.
A

3/4 TON
TYPICAL ILLUSTRATION



Parts List Number :4MXWUP1#4MXWUP1

Model Number :4TXK8509A10N0CA

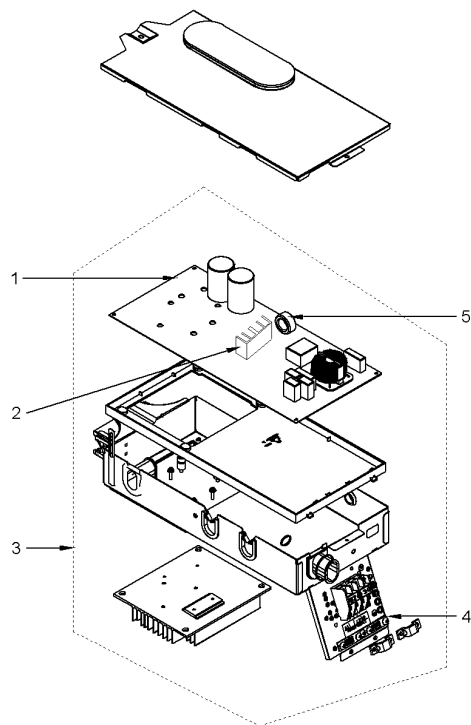
Part No.	Reference No.	Quantity	Description
PAI00420	*	1	PAINT; CUSTOM PAINT MATCH FOR MINI SPLIT
GRL01837	1	1	GRILL; FRONT
CAS02043	2	1	CASING; CABINET
VAL10015	3	1	VALVE; 3/8 VAPOR
VAL08943	4	1	VALVE; 1/4 LIQUID
VAL10606	5	1	VALVE; ASSEMBLY, 4 WAY
COL18462	6	1	COIL; MAGNET
HTR12647	7	1	HEATER; ELECTRIC, COMPRESSOR
COM10571	8	1	COMPRESSOR; ASSEMBLY AND FITTINGS
OLD00726	9	1	OVERLOAD; COMPRESSOR, PROTECTOR, EXTERNAL
VAL11606	10	1	VALVE; ELECTRIC EXPANSION SUB-ASSY
COL25168	11	1	COIL; MAGNET
COL18457	12	1	COIL; ASSEMBLY, CONDENSER
COV04460	13	1	COVER; TOP
CNT06823	14	1	CONTROL; REACTOR
CNT07246	15	1	CONTROL; REACTOR ASSY
SUP05536	16	1	SUPPORT; MOTOR, SUB-ASSEMBLY
MOT14614	17	1	MOTOR; FAN
FAN04663	18	1	FAN; AXIAL FLOW
SEN02043	19	1	SENSOR; TEMPERATURE

ELECTRIC BOX ASSEMBLY

75010581

REV.
A

3/4 & 1.0 TON
TYPICAL ILLUSTRATION



Parts List Number :4MXWUP1#4MXWUP1

Model Number :4TXK8509A10N0CA

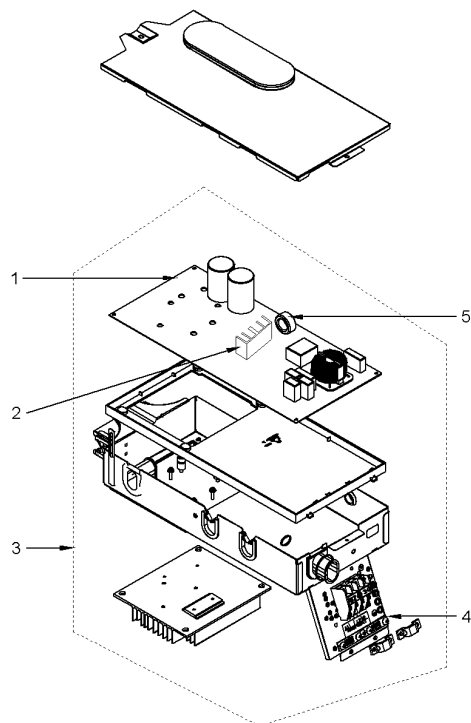
Part No.	Reference No.	Quantity	Description
75010581_4MXWUP1_375978~P	*		ELECTRIC BOX ASSEMBLY 3/4 & 1.0 TON OUTDOOR PARTS LIST

ELECTRIC BOX ASSEMBLY

75010581

REV.
A

3/4 & 1.0 TON
TYPICAL ILLUSTRATION



Parts List Number :4MXWUP1#4MXWUP1

Model Number :4TXK8509A10N0CA

Part No.	Reference No.	Quantity	Description
BRD05116	1	1	BOARD; MAIN
EXC02410	2	1	EXCHANGER; HEAT SINK
CNT06807	3	1	CONTROL; ELECTRIC BOX ASSEMBLY
BRD04349	4	1	BOARD; TERMINAL
RNG02311	5	1	RING; MAGNETIC

		Line Sets for Mini Splits					75009919	
Size and Length		Used for	Models (Frame Outdoor Unit P/Ns)					
1	KIT16423	1/4" x 3/8" - 25'	16 SEER 9MMh & 12 MMh 18 SEER 9MMh & 12 MMh	4TYK6509A10N0BA	4TYK6512A10N0BA	4TXK6509A10N0BA	4TXK6512A10N0BA	4TXK8509A10N0BA & 4TXK8509A10N0CA
2	KIT16424	1/4" x 3/8" - 35'	16 SEER 9MMh & 12 MMh 18 SEER 9MMh & 12 MMh	4TYK6509A10N0BA	4TYK6512A10N0BA	4TXK6509A10N0BA	4TXK6512A10N0BA	4TXK8509A10N0BA & 4TXK8509A10N0CA
3	KIT15228	1/4" x 3/8" - 50'	16 SEER 9MMh & 12 MMh 18 SEER 9MMh & 12 MMh	4TYK6509A10N0BA	4TYK6512A10N0BA	4TXK6509A10N0BA	4TXK6512A10N0BA	4TXK8509A10N0BA & 4TXK8509A10N0CA
4	KIT16425	1/4" x 1/2" - 25'	16 SEER 18MMh & 24MMh 18 SEER 18MMh	4TYK6518A10N0BA	4TYK6524A10N0BA	4TXK6518A10N0BA	4TXK6524A10N0BA	4TXK8518A10N0BA & 4TXK8518A10N0CA
5	KIT16426	1/4" x 1/2" - 35'	16 SEER 18MMh & 24MMh 18 SEER 18MMh	4TYK6518A10N0BA	4TYK6524A10N0BA	4TXK6518A10N0BA	4TXK6524A10N0BA	4TXK8518A10N0BA & 4TXK8518A10N0CA
6	KIT15229	1/4" x 1/2" - 50'	16 SEER 18MMh & 24MMh 18 SEER 18MMh	4TYK6518A10N0BA	4TYK6524A10N0BA	4TXK6518A10N0BA	4TXK6524A10N0BA	4TXK8518A10N0BA & 4TXK8518A10N0CA
7	KIT16427	1/4" x 5/8" - 25'	18 SEER 24MMh & 36MMh	4TXK8524A10N0BA & 4TXK8524A10N0CA	4TXK8536A10N0BA & 4TXK8536A10N0CA			
8	KIT16428	1/4" x 5/8" - 35'	18 SEER 24MMh & 36MMh	4TXK8524A10N0BA & 4TXK8524A10N0CA	4TXK8536A10N0BA & 4TXK8536A10N0CA			
9	KIT15230	1/4" x 5/8" - 50'	18 SEER 24MMh & 36MMh	4TXK8524A10N0BA & 4TXK8524A10N0CA	4TXK8536A10N0BA & 4TXK8536A10N0CA			

Part No.	Reference No.	Quantity	Description
75009919_4MXWUP1_365820~P	*		OUTDOOR LINESETS & ACCESSORIES PARTS LIST

OUTDOOR LINESETS & ACCESSORIES PARTS LIST

Parts List Number :4MXWUP1#4MXWUP1

Model Number :4TXK8509A10N0CA

		Line Sets for Mini Splits							75009919
	Size and Length	Used for	Models (Frame Outdoor Unit P/Ns)						
1	KIT16423 ¾" x 3/8" - 25'	16 SEER 9MBh & 12 MBh 18 SEER 9MBh & 12 MBh	4TYK6509A10N0BA	4TYK6512A10N0BA	4TXK6509A10N0BA	4TXK6512A10N0BA	4TXK8509A10N0BA & 4TXK8509A10N0CA	4TXK8512A10N0BA & 4TXK8512A10N0CA	
2	KIT16424 ¾" x 3/8" - 35'	16 SEER 9MBh & 12 MBh 18 SEER 9MBh & 12 MBh	4TYK6509A10N0BA	4TYK6512A10N0BA	4TXK6509A10N0BA	4TXK6512A10N0BA	4TXK8509A10N0BA & 4TXK8509A10N0CA	4TXK8512A10N0BA & 4TXK8512A10N0CA	
3	KIT15228 ¾" x 3/8" - 50'	16 SEER 9MBh & 12 MBh 18 SEER 9MBh & 12 MBh	4TYK6509A10N0BA	4TYK6512A10N0BA	4TXK6509A10N0BA	4TXK6512A10N0BA	4TXK8509A10N0BA & 4TXK8509A10N0CA	4TXK8512A10N0BA & 4TXK8512A10N0CA	
4	KIT16425 ¾" x ½" - 25'	16 SEER 18MBh & 24MBh 18 SEER 18MBh	4TYK6518A10N0BA	4TYK6524A10N0BA	4TXK6518A10N0BA	4TXK6524A10N0BA	4TXK8518A10N0BA & 4TXK8518A10N0CA		
5	KIT16426 ¾" x ½" - 35'	16 SEER 18MBh & 24MBh 18 SEER 18MBh	4TYK6518A10N0BA	4TYK6524A10N0BA	4TXK6518A10N0BA	4TXK6524A10N0BA	4TXK8518A10N0BA & 4TXK8518A10N0CA		
6	KIT15229 ¾" x ½" - 50'	16 SEER 18MBh & 24MBh 18 SEER 18MBh	4TYK6518A10N0BA	4TYK6524A10N0BA	4TXK6518A10N0BA	4TXK6524A10N0BA	4TXK8518A10N0BA & 4TXK8518A10N0CA		
7	KIT16427 ¾" x 5/8" - 25'	18 SEER 24MBh & 36MBh	4TXK8524A10N0BA & 4TXK8524A10N0CA	4TXK8536A10N0BA & 4TXK8536A10N0CA					
8	KIT16428 ¾" x 5/8" - 35'	18 SEER 24MBh & 36MBh	4TXK8524A10N0BA & 4TXK8524A10N0CA	4TXK8536A10N0BA & 4TXK8536A10N0CA					
9	KIT15230 ¾" x 5/8" - 50'	18 SEER 24MBh & 36MBh	4TXK8524A10N0BA & 4TXK8524A10N0CA	4TXK8536A10N0BA & 4TXK8536A10N0CA					

Parts List Number :4MXWUP1#4MXWUP1

Model Number :4TXK8509A10N0CA

Part No.	Reference No.	Quantity	Description
KIT16423	1	1	LINE SET; 1/4 X 3/8 X 1/2 X 25FT MINI-SPLIT NO BEND, NO PLAIN END, HAS FLARE FITTINGS, NO CONTROL WIRE MUE 40620250B3B6
KIT16424	2	1	LINE SET; 1/4 X 3/8 X 1/2 X 35FT MINI-SPLIT NO BEND, NO PLAIN END, HAS FLARE FITTINGS, NO CONTROL WIRE MUE 40620350B3B6
KIT15228	3	1	LINE SET; 1/4 X 3/8 X 1/2 X 50FT MINI-SPLIT NO BEND, NO PLAIN END, HAS FLARE FITTINGS, NO CONTROL WIRE MUE 40620500B3B6