

Part No.	Reference No.	Quantity	Description
75009871#TXKUP4~S	*		GENERAL ASSEMBLY
75009919#TXKUP4~S	*		LINESETS - ACCESSORIES
75009849#TXKUP4~S	*		MODEL NOMENCLATURE
TXKUP4_TXKUP4_197991~P	*		TXKUP4 PARTS LIST

NO GRAPHIC AVAILABLE

75013702

REV
A

**NO
GRAPHIC
AVAILABLE**

MODEL NOMENCLATURE Outdoor Unit – Inverter High Wall Systems	75009849	REV A
Model Number Example 4 T X K 8 5 1 2 A 1 0 N 0 B A 1 2 3 4 5 6 7 8 9 10 11 12 13 14 15		
Digit 1 = Refrigerant 4 = R-410a	Digit 9 = Major Development Sequence A = First Development Sequence B = Second Development Sequence C = Third Development Sequence	
Digit 2 = Brand Name T = Mini Split Outdoor Unit	Digit 10 = Electric Power Supply Characteristics 1 = 208-230/60/1	
Digit 3 = Functional Type X = Heat Pump Inverter Y = Cooling Only Inverter	Digit 11 = Reserved for Future Use 0 = Not currently used	
Digit 4 = Configuration Outdoor Unit K = Single Refrigerant Circuit M = Multiple Refrigerant Circuit	Digit 12 = Regional Markets Served (1:1 Systems) N = North America Market	
Digit 5 = Efficiency Tier 6 - 16+ SEER 8 - 18+ SEER	Digit 13 = Reserved for Future Use 0 = Not currently used	
Digit 6 = Connection Type 5 - Flare	Digit 14 = Minor Design Sequence A = First Design Sequence B = Second Design Sequence C = Third Design Sequence	
Digit 7,8 = Nominal Capacity (Btu/h x 1,000) 09 = 9,000 Btu/h 12 = 12,000 Btu/h 18 = 18,000 Btu/h 24 = 24,000 Btu/h 30 = 30,000 Btu/h 36 = 36,000 Btu/h 42 = 42,000 Btu/h	Digit 15 = Service Digit A = First Sequence	

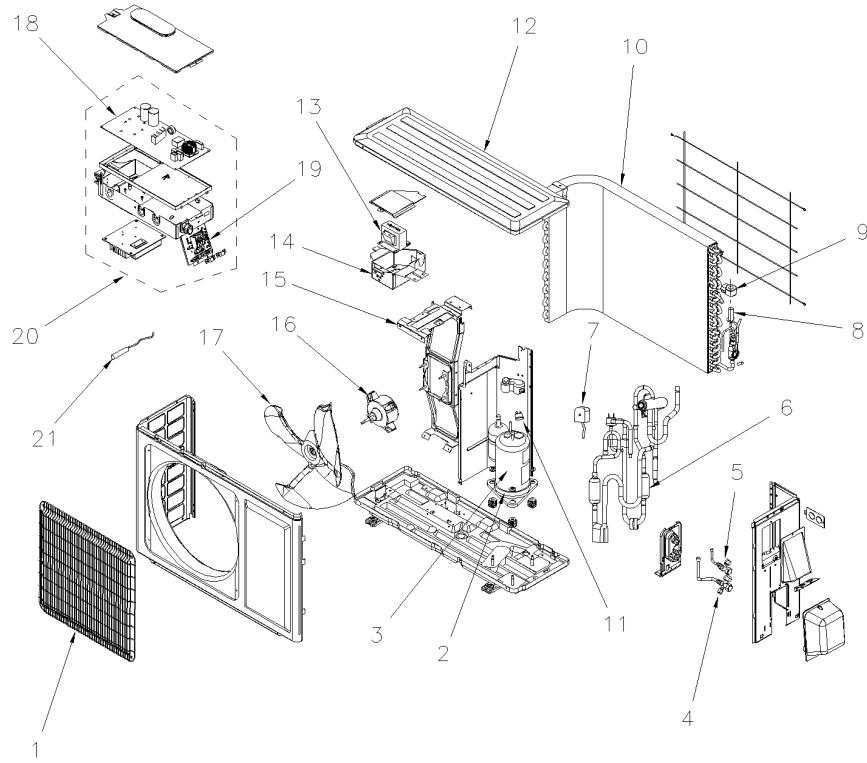
Part No.	Reference No.	Quantity	Description
75009849_TXKUP4_197992-P	*		MODEL NOMENCLATURE PARTS LIST

MODEL NOMENCLATURE Outdoor Unit – Inverter High Wall Systems	75009849	<div style="border: 1px solid black; display: inline-block; padding: 2px;">REV A</div>
Model Number Example 4 T X K 8 5 1 2 A 1 0 N 0 B A 1 2 3 4 5 6 7 8 9 10 11 12 13 14 15		
Digit 1 = Refrigerant 4 = R-410a	Digit 9 = Major Development Sequence A = First Development Sequence B = Second Development Sequence C = Third Development Sequence	
Digit 2 = Brand Name T = Mini Split Outdoor Unit	Digit 10 = Electric Power Supply Characteristics 1 = 208-230/60/1	
Digit 3 = Functional Type X = Heat Pump Inverter Y = Cooling Only Inverter	Digit 11 = Reserved for Future Use 0 = Not currently used	
Digit 4 = Configuration Outdoor Unit K = Single Refrigerant Circuit M = Multiple Refrigerant Circuit	Digit 12 = Regional Markets Served (1:1 Systems) N = North America Market	
Digit 5 = Efficiency Tier 6 - 16+ SEER 8 - 18+ SEER	Digit 13 = Reserved for Future Use 0 = Not currently used	
Digit 6 = Connection Type 5 - Flare	Digit 14 = Minor Design Sequence A = First Design Sequence B = Second Design Sequence C = Third Design Sequence	
Digit 7,8 = Nominal Capacity (Btu/h × 1,000) 09 = 9,000 Btu/h 12 = 12,000 Btu/h 18 = 18,000 Btu/h 24 = 24,000 Btu/h 30 = 30,000 Btu/h 36 = 36,000 Btu/h 42 = 42,000 Btu/h	Digit 15 = Service Digit A = First Sequence	

GENERAL ASSEMBLY

75009871

REV
A



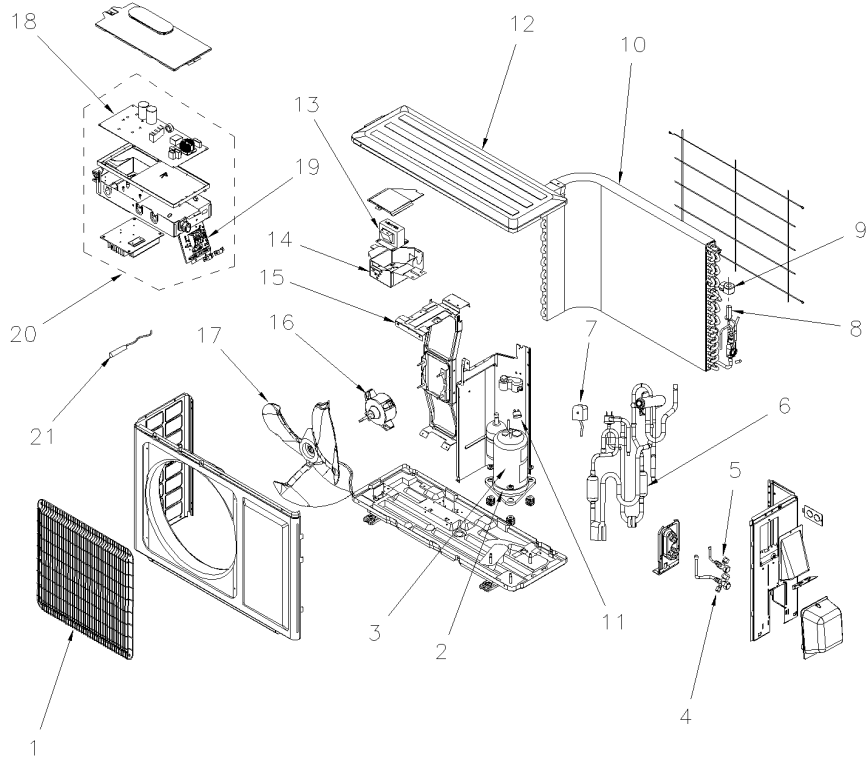
* NOT ILLUSTRATED
TYPICAL ILLUSTRATION

Part No.	Reference No.	Quantity	Description
75009871_TXKUP4_197993-P	*		GENERAL ASSEMBLY PARTS LIST

GENERAL ASSEMBLY

75009871

REV
A



* NOT ILLUSTRATED
TYPICAL ILLUSTRATION

Part No.	Reference No.	Quantity	Description
PAI00420	*	1	PAINT; CUSTOM PAINT MATCH FOR MINI SPLIT
GRL01837	1	1	GRILL; FRONT
HTR12647	2	1	HEATER; ELECTRIC, COMPRESSOR
COM10571	3	1	COMPRESSOR; ASSEMBLY AND FITTINGS
VAL10015	4	1	VALVE; 3/8 VAPOR
VAL08943	5	1	VALVE; 1/4 LIQUID
VAL10606	6	1	VALVE; ASSEMBLY, 4 WAY
COL18462	7	1	COIL; MAGNET
VAL10612	8	1	VALVE; ELECTRIC EXPANSION SUB-ASSEMBLY
COL18464	9	1	COIL; ELECTRIC EXPAND VALVE FITTING
COL18457	10	1	COIL; ASSEMBLY, CONDENSER
OLD00726	11	1	OVERLOAD; COMPRESSOR, PROTECTOR, EXTERNAL
COV04460	12	1	COVER; TOP
CNT06823	13	1	CONTROL; REACTOR
CNT06348	14	1	CONTROL; REACTOR SUB-ASSY (01403616)
SUP05536	15	1	SUPPORT; MOTOR, SUB-ASSEMBLY
MOT14614	16	1	MOTOR; FAN
FAN04663	17	1	FAN; AXIAL FLOW
BRD04339	18	1	BOARD; MAIN
BRD04349	19	1	BOARD; TERMINAL
CNT06807	20	1	CONTROL; ELECTRIC BOX ASSEMBLY
SEN02043	21	1	SENSOR; TEMPERATURE

		LineSets for MiniSplits					75009919	
Size and Length		Used for	Models (Frame Outdoor Unit P/Ns)					
1	KIT16423	1/4" x 3/8" - 25'	16 SEER 9MBh & 12 MBh 18 SEER 9MBh & 12 MBh	4TYK6509A10N0BA	4TYK6512A10N0BA	4TXK6509A10N0BA	4TXK6512A10N0BA	4TXK8509A10N0BA & 4TXK8509A10N0CA
2	KIT16424	1/4" x 3/8" - 35'	16 SEER 9MBh & 12 MBh 18 SEER 9MBh & 12 MBh	4TYK6509A10N0BA	4TYK6512A10N0BA	4TXK6509A10N0BA	4TXK6512A10N0BA	4TXK8509A10N0BA & 4TXK8509A10N0CA
3	KIT15228	1/4" x 3/8" - 50'	16 SEER 9MBh & 12 MBh 18 SEER 9MBh & 12 MBh	4TYK6509A10N0BA	4TYK6512A10N0BA	4TXK6509A10N0BA	4TXK6512A10N0BA	4TXK8509A10N0BA & 4TXK8509A10N0CA
4	KIT16425	1/4" x 1/2" - 25'	16 SEER 18MBh & 24MBh 18 SEER 18MBh	4TYK6518A10N0BA	4TYK6524A10N0BA	4TXK6518A10N0BA	4TXK6524A10N0BA	4TXK8518A10N0BA & 4TXK8518A10N0CA
5	KIT16426	1/4" x 1/2" - 35'	16 SEER 18MBh & 24MBh 18 SEER 18MBh	4TYK6518A10N0BA	4TYK6524A10N0BA	4TXK6518A10N0BA	4TXK6524A10N0BA	4TXK8518A10N0BA & 4TXK8518A10N0CA
6	KIT15229	1/4" x 1/2" - 50'	16 SEER 18MBh & 24MBh 18 SEER 18MBh	4TYK6518A10N0BA	4TYK6524A10N0BA	4TXK6518A10N0BA	4TXK6524A10N0BA	4TXK8518A10N0BA & 4TXK8518A10N0CA
7	KIT16427	1/4" x 5/8" - 25'	18 SEER 24MBh & 36MBh	4TXK8524A10N0BA & 4TXK8524A10N0CA	4TXK8536A10N0BA & 4TXK8536A10N0CA			
8	KIT16428	1/4" x 5/8" - 35'	18 SEER 24MBh & 36MBh	4TXK8524A10N0BA & 4TXK8524A10N0CA	4TXK8536A10N0BA & 4TXK8536A10N0CA			
9	KIT15230	1/4" x 5/8" - 50'	18 SEER 24MBh & 36MBh	4TXK8524A10N0BA & 4TXK8524A10N0CA	4TXK8536A10N0BA & 4TXK8536A10N0CA			

Part No.	Reference No.	Quantity	Description
75009919_TXKUP4_197994-P	*		LINESETS - ACCESSORIES PARTS LIST

		LineSets for MiniSplits					75009919	
Size and Length		Used for	Models (Frame Outdoor Unit P/Ns)					
1	KIT16423	1/4 x 3/8 - 25'	16 SEER 9MBh & 12 MBh 18 SEER 9MBh & 12 MBh	4TYK6509A10N0BA	4TYK6512A10N0BA	4TXK6509A10N0BA	4TXK6512A10N0BA	4TXK8509A10N0BA & 4TXK8509A10N0CA
2	KIT16424	1/4 x 3/8 - 35'	16 SEER 9MBh & 12 MBh 18 SEER 9MBh & 12 MBh	4TYK6509A10N0BA	4TYK6512A10N0BA	4TXK6509A10N0BA	4TXK6512A10N0BA	4TXK8509A10N0BA & 4TXK8509A10N0CA
3	KIT15228	1/4 x 3/8 - 50'	16 SEER 9MBh & 12 MBh 18 SEER 9MBh & 12 MBh	4TYK6509A10N0BA	4TYK6512A10N0BA	4TXK6509A10N0BA	4TXK6512A10N0BA	4TXK8509A10N0BA & 4TXK8509A10N0CA
4	KIT16425	1/4 x 1/2 - 25'	16 SEER 18MBh & 24MBh 18 SEER 18MBh	4TYK6518A10N0BA	4TYK6524A10N0BA	4TXK6518A10N0BA	4TXK6524A10N0BA	4TXK8518A10N0BA & 4TXK8518A10N0CA
5	KIT16426	1/4 x 1/2 - 35'	16 SEER 18MBh & 24MBh 18 SEER 18MBh	4TYK6518A10N0BA	4TYK6524A10N0BA	4TXK6518A10N0BA	4TXK6524A10N0BA	4TXK8518A10N0BA & 4TXK8518A10N0CA
6	KIT15229	1/4 x 1/2 - 50'	16 SEER 18MBh & 24MBh 18 SEER 18MBh	4TYK6518A10N0BA	4TYK6524A10N0BA	4TXK6518A10N0BA	4TXK6524A10N0BA	4TXK8518A10N0BA & 4TXK8518A10N0CA
7	KIT16427	1/4 x 5/8 - 25'	18 SEER 24MBh & 30MBh	4TXK8524A10N0BA & 4TXK8524A10N0CA	4TXK8536A10N0BA & 4TXK8536A10N0CA			
8	KIT16428	1/4 x 5/8 - 35'	18 SEER 24MBh & 30MBh	4TXK8524A10N0BA & 4TXK8524A10N0CA	4TXK8536A10N0BA & 4TXK8536A10N0CA			
9	KIT15230	1/4 x 5/8 - 50'	18 SEER 24MBh & 30MBh	4TXK8524A10N0BA & 4TXK8524A10N0CA	4TXK8536A10N0BA & 4TXK8536A10N0CA			

Parts List Number :TXKUP4#TXKUP4

Model Number :4TXK8509A10N0BA

Part No.	Reference No.	Quantity	Description
KIT16423	1	1	LINE SET; 1/4 X 3/8 X 1/2 X 25FT MINI-SPLIT NO BEND, NO PLAIN END, HAS FLARE FITTINGS, NO CONTROL WIRE MUE 40620250B3B6
KIT16424	2	1	LINE SET; 1/4 X 3/8 X 1/2 X 35FT MINI-SPLIT NO BEND, NO PLAIN END, HAS FLARE FITTINGS, NO CONTROL WIRE MUE 40620350B3B6
KIT15228	3	1	LINE SET; 1/4 X 3/8 X 1/2 X 50FT MINI-SPLIT NO BEND, NO PLAIN END, HAS FLARE FITTINGS, NO CONTROL WIRE MUE 40620500B3B6