

Part No.	Reference No.	Quantity	Description
75009859#TXKUP3~S	*		GENERAL ASSEMBLY
75009919#TXKUP3~S	*		LINESETS - ACCESSORIES
75009849#TXKUP3~S	*		MODEL NOMENCLATURE
TXKUP3_TXKUP3_203489~P	*		TXKUP3 PARTS LIST

NO GRAPHIC AVAILABLE

75013702

REV
A

**NO
GRAPHIC
AVAILABLE**

MODEL NOMENCLATURE

75009849

REV
A

Outdoor Unit – Inverter High Wall Systems

Model Number Example

4 T X K 8 5 1 2 A 1 0 N 0 B A
1 2 3 4 5 6 7 8 9 10 11 12 13 14 15

Digit 1 = Refrigerant

4 = R-410a

Digit 2 = Brand Name

T = Mini Split Outdoor Unit

Digit 3 = Functional Type

X = Heat Pump Inverter

Y = Cooling Only Inverter

Digit 4 = Configuration Outdoor Unit

K = Single Refrigerant Circuit

M = Multiple Refrigerant Circuit

Digit 5 = Efficiency Tier

6 - 16+ SEER

8 - 18+ SEER

Digit 6 = Connection Type

5 - Flare

Digit 7,8 = Nominal Capacity
(Btu/h × 1,000)

09 = 9,000 Btu/h

12 = 12,000 Btu/h

18 = 18,000 Btu/h

24 = 24,000 Btu/h

30 = 30,000 Btu/h

36 = 36,000 Btu/h

42 = 42,000 Btu/h

Digit 9 = Major Development Sequence

A = First Development Sequence

B = Second Development Sequence

C = Third Development Sequence

Digit 10 = Electric Power Supply Characteristics

1 = 208-230/60/1

Digit 11 = Reserved for Future Use

0 = Not currently used

Digit 12 = Regional Markets Served (1:1 Systems)

N = North America Market

Digit 13 = Reserved for Future Use

0 = Not currently used

Digit 14 = Minor Design Sequence

A = First Design Sequence

B = Second Design Sequence

C = Third Design Sequence

Digit 15 = Service Digit

A = First Sequence

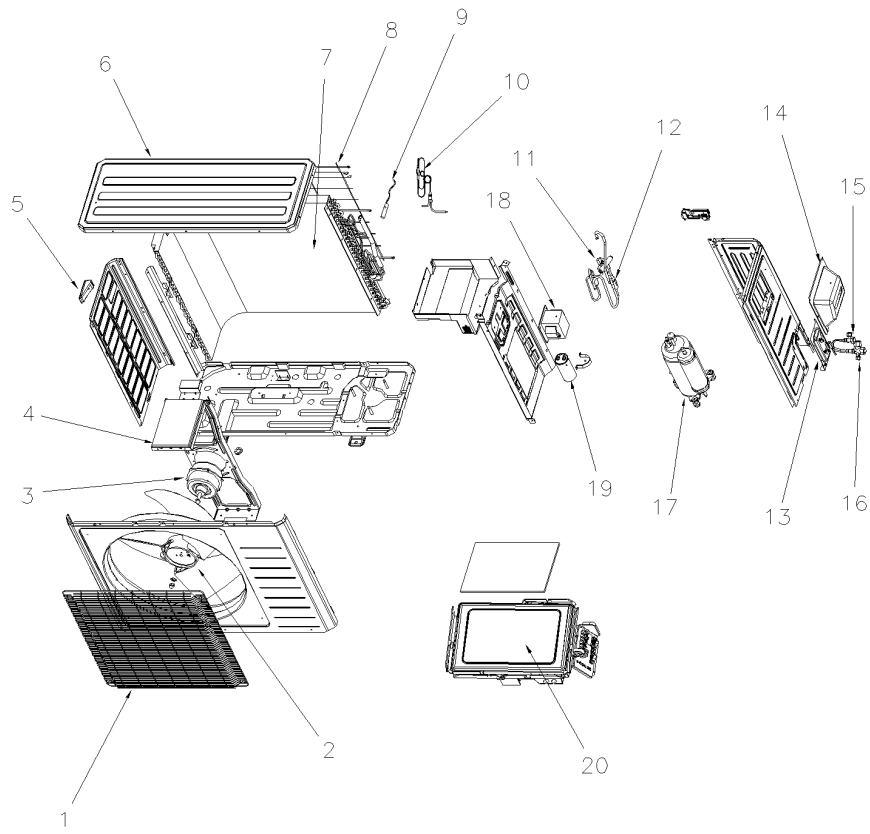
Part No.	Reference No.	Quantity	Description
75009849_TXKUP3_203491-P	*		MODEL NOMENCLATURE PARTS LIST

MODEL NOMENCLATURE	75009849	REV A
Outdoor Unit – Inverter High Wall Systems		
Model Number Example		
4 T X K 8 5 1 2 A 1 0 N 0 B A		
1 2 3 4 5 6 7 8 9 10 11 12 13 14 15		
Digit 1 = Refrigerant 4 = R-410a	Digit 9 = Major Development Sequence A = First Development Sequence B = Second Development Sequence C = Third Development Sequence	
Digit 2 = Brand Name T = Mini Split Outdoor Unit	Digit 10 = Electric Power Supply Characteristics 1 = 208-230/60/1	
Digit 3 = Functional Type X = Heat Pump Inverter Y = Cooling Only Inverter	Digit 11 = Reserved for Future Use 0 = Not currently used	
Digit 4 = Configuration Outdoor Unit K = Single Refrigerant Circuit M = Multiple Refrigerant Circuit	Digit 12 = Regional Markets Served (1:1 Systems) N = North America Market	
Digit 5 = Efficiency Tier 6 - 16+ SEER 8 - 18+ SEER	Digit 13 = Reserved for Future Use 0 = Not currently used	
Digit 6 = Connection Type 5 - Flare	Digit 14 = Minor Design Sequence A = First Design Sequence B = Second Design Sequence C = Third Design Sequence	
Digit 7,8 = Nominal Capacity (Btu/h × 1,000) 09 = 9,000 Btu/h 12 = 12,000 Btu/h 18 = 18,000 Btu/h 24 = 24,000 Btu/h 30 = 30,000 Btu/h 36 = 36,000 Btu/h 42 = 42,000 Btu/h	Digit 15 = Service Digit A = First Sequence	

GENERAL ASSEMBLY

75009859

REV
A



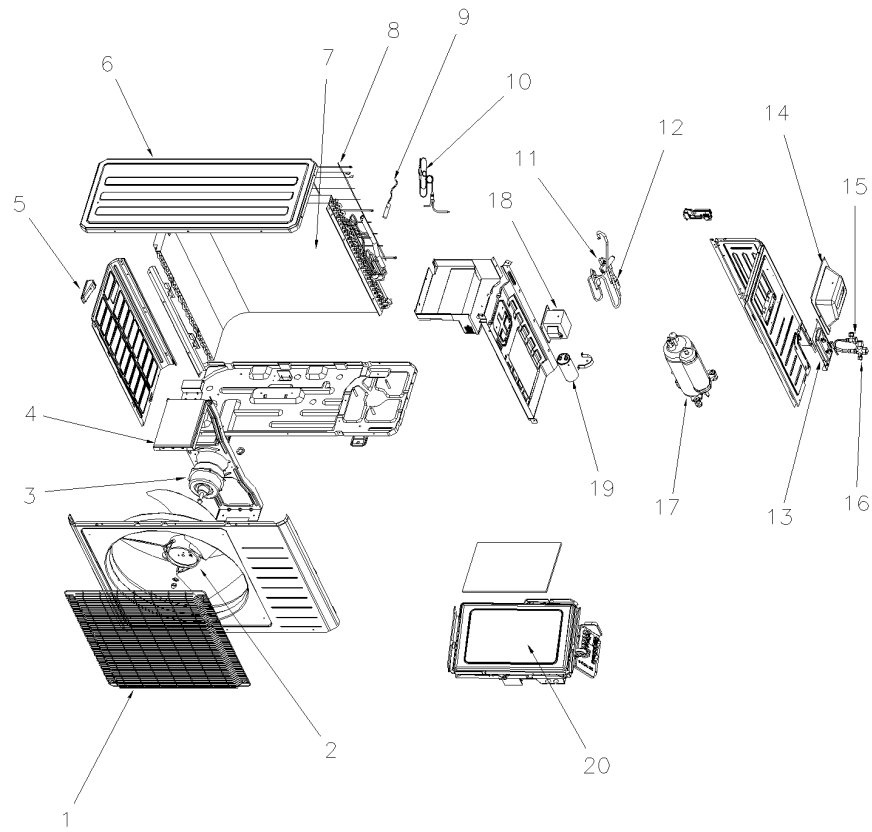
* NOT ILLUSTRATED
TYPICAL ILLUSTRATION

Part No.	Reference No.	Quantity	Description
75009859_TXKUP3_259609-P	*		GENERAL ASSEMBLY PARTS LIST

GENERAL ASSEMBLY

75009859

REV
A



* NOT ILLUSTRATED
TYPICAL ILLUSTRATION

Part No.	Reference No.	Quantity	Description
FTG01288	*	1	FITTING; DRAINAGE JOINT
PAI00420	*	1	PAINT; CUSTOM PAINT MATCH FOR MINI SPLIT
GRL01689	1	1	GRILLE; FRONT GRILL
FAN04378	2	1	FAN; AXIAL FLOW
MOT13814	3	1	MOTOR; FAN (1501506302)
SUP05277	4	1	SUPPORT; MOTOR SUPPORT SUB-ASSY(01705020)
HDL01103	5	1	HANDLE; LEFT HANDLE(26235401)
COV04192	6	1	COVER; TOP COVER
COL18453	7	1	COIL; ASSEMBLY, CONDENSER
GRL01688	8	1	GRILLE; REAR GRILL
SEN01804	9	1	SENSOR; TEMPERATURE (INCLUDES; DISCHARGE TUBE SENSOR (50K), COIL TUBE SENSOR (20K) AND OUTDOOR AMBIENT SENSOR (15K))
TUB13142	10	1	TUBE; CAPILLARY SUB-ASSEMBLY
COL16754	11	1	COIL; SOLNOID REVERSING VALVE
VAL10602	12	1	VALVE; ASSEMBLY, 4 WAY
SUP05280	13	1	SUPPORT; VALVE SUPPORT ASSY
HDL01100	14	1	HANDLE; HANDLE ASSY(02113109)
VAL10611	15	1	VALVE; CUTOFF SUB-ASSEMBLY
VAL09918	16	1	VALVE; CUT-OFF SUB-ASSY (GAS)(07133060)
COM10574	17	1	COMPRESSOR; ASSEMBLY AND FITTINGS
CNT06350	18	1	CONTROL; REACTOR (43130021)
CPT01863	19	1	CAPACITOR; CBB65 (33000065)
CNT06800	20	1	CONTROL; ELECTRIC BOX ASSEMBLY

		Line Sets for Mini Splits					75009919		
Size and Length		Used for	Models (Frame Outdoor Unit P/Ns)						
1	KIT16423	1/4" x 3/8" - 25'	16 SEER 9MBH & 12 MBH 18 SEER 9MBH & 12 MBH	4TYK6509A10N0BA	4TYK6512A10N0BA	4TXK6509A10N0BA	4TXK6512A10N0BA	4TXK6509A10N0BA & 4TXK6509A10N0CA	4TXK6512A10N0BA & 4TXK6512A10N0CA
2	KIT16424	1/4" x 3/8" - 35'	16 SEER 9MBH & 12 MBH 18 SEER 9MBH & 12 MBH	4TYK6509A10N0BA	4TYK6512A10N0BA	4TXK6509A10N0BA	4TXK6512A10N0BA	4TXK6509A10N0BA & 4TXK6509A10N0CA	4TXK6512A10N0BA & 4TXK6512A10N0CA
3	KIT15228	1/4" x 3/8" - 50'	16 SEER 9MBH & 12 MBH 18 SEER 9MBH & 12 MBH	4TYK6509A10N0BA	4TYK6512A10N0BA	4TXK6509A10N0BA	4TXK6512A10N0BA	4TXK6509A10N0BA & 4TXK6509A10N0CA	4TXK6512A10N0BA & 4TXK6512A10N0CA
4	KIT16425	1/4" x 1/2" - 25'	16 SEER 18MBH & 24MBH 18 SEER 18MBH	4TYK6518A10N0BA	4TYK6524A10N0BA	4TXK6518A10N0BA	4TXK6524A10N0BA	4TXK6518A10N0BA & 4TXK6518A10N0CA	
5	KIT16426	1/4" x 1/2" - 35'	16 SEER 18MBH & 24MBH 18 SEER 18MBH	4TYK6518A10N0BA	4TYK6524A10N0BA	4TXK6518A10N0BA	4TXK6524A10N0BA	4TXK6518A10N0BA & 4TXK6518A10N0CA	
6	KIT15229	1/4" x 1/2" - 50'	16 SEER 18MBH & 24MBH 18 SEER 18MBH	4TYK6518A10N0BA	4TYK6524A10N0BA	4TXK6518A10N0BA	4TXK6524A10N0BA	4TXK6518A10N0BA & 4TXK6518A10N0CA	
7	KIT16427	1/4" x 5/8" - 25'	18 SEER 24MBH & 36MBH	4TXK8524A10N0BA & 4TXK8524A10N0CA	4TXK8536A10N0BA & 4TXK8536A10N0CA				
8	KIT16428	1/4" x 5/8" - 35'	18 SEER 24MBH & 36MBH	4TXK8524A10N0BA & 4TXK8524A10N0CA	4TXK8536A10N0BA & 4TXK8536A10N0CA				
9	KIT15230	1/4" x 5/8" - 50'	18 SEER 24MBH & 36MBH	4TXK8524A10N0BA & 4TXK8524A10N0CA	4TXK8536A10N0BA & 4TXK8536A10N0CA				

Part No.	Reference No.	Quantity	Description
75009919_TXKUP3_203493-P	*		LINESETS - ACCESSORIES PARTS LIST

		LineSets for MiniSplits					75009919		
		Used for	Models (Frame Outdoor Unit P/Ns)						
	Size and Length								
1	KIT16423	1/4" x 3/8" - 25'	16 SEER 9MMh & 12 MMh 18 SEER 9MMh & 12 MMh	4TYK6509A10N0BA	4TYK6512A10N0BA	4TXK6509A10N0BA	4TXK6512A10N0BA	4TXK6509A10N0BA & 4TXK6509A10N0CA	4TXK6512A10N0BA & 4TXK6512A10N0CA
2	KIT16424	1/4" x 3/8" - 35'	16 SEER 9MMh & 12 MMh 18 SEER 9MMh & 12 MMh	4TYK6509A10N0BA	4TYK6512A10N0BA	4TXK6509A10N0BA	4TXK6512A10N0BA	4TXK6509A10N0BA & 4TXK6509A10N0CA	4TXK6512A10N0BA & 4TXK6512A10N0CA
3	KIT15228	1/4" x 3/8" - 50'	16 SEER 9MMh & 12 MMh 18 SEER 9MMh & 12 MMh	4TYK6509A10N0BA	4TYK6512A10N0BA	4TXK6509A10N0BA	4TXK6512A10N0BA	4TXK6509A10N0BA & 4TXK6509A10N0CA	4TXK6512A10N0BA & 4TXK6512A10N0CA
4	KIT16425	1/4" x 1/2" - 25'	16 SEER 18MMh & 24MMh 18 SEER 18MMh	4TYK6518A10N0BA	4TYK6524A10N0BA	4TXK6518A10N0BA	4TXK6524A10N0BA	4TXK6518A10N0BA & 4TXK6518A10N0CA	
5	KIT16426	1/4" x 1/2" - 35'	16 SEER 18MMh & 24MMh 18 SEER 18MMh	4TYK6518A10N0BA	4TYK6524A10N0BA	4TXK6518A10N0BA	4TXK6524A10N0BA	4TXK6518A10N0BA & 4TXK6518A10N0CA	
6	KIT15229	1/4" x 1/2" - 50'	16 SEER 18MMh & 24MMh 18 SEER 18MMh	4TYK6518A10N0BA	4TYK6524A10N0BA	4TXK6518A10N0BA	4TXK6524A10N0BA	4TXK6518A10N0BA & 4TXK6518A10N0CA	
7	KIT16427	1/4" x 5/8" - 25'	18 SEER 24MMh & 36MMh	4TXK8524A10N0BA & 4TXK8524A10N0CA	4TXK8536A10N0BA & 4TXK8536A10N0CA				
8	KIT16428	1/4" x 5/8" - 35'	18 SEER 24MMh & 36MMh	4TXK8524A10N0BA & 4TXK8524A10N0CA	4TXK8536A10N0BA & 4TXK8536A10N0CA				
9	KIT15230	1/4" x 5/8" - 50'	18 SEER 24MMh & 36MMh	4TXK8524A10N0BA & 4TXK8524A10N0CA	4TXK8536A10N0BA & 4TXK8536A10N0CA				

Parts List Number :TXKUP3#TXKUP3

Model Number :4TXK6518A10N0BA

Part No.	Reference No.	Quantity	Description
KIT16425	4	1	LINE SET; 1/4 X 1/2 X 1/2 X 25FT MINI-SPLIT NO BEND, NO PLAIN END, HAS FLARE FITTINGS, NO CONTROL WIRE MUE 40820250B3B6
KIT16426	5	1	LINE SET; 1/4 X 1/2 X 1/2 X 35FT MINI-SPLIT NO BEND, NO PLAIN END, HAS FLARE FITTINGS, NO CONTROL WIRE MUE 40820350B3B6
KIT15229	6	1	LINE SET; 1/4 X 1/2 X 1/2 X 50FT MINI-SPLIT NO BEND, NO PLAIN END, HAS FLARE FITTINGS, NO CONTROL WIRE MUE 40820500B3B6