

Part No.	Reference No.	Quantity	Description
75009858#TXKUP3~S	*		GENERAL ASSEMBLY
75009919#TXKUP3~S	*		LINESETS - ACCESSORIES
75009849#TXKUP3~S	*		MODEL NOMENCLATURE
TXKUP3_TXKUP3_203489~P	*		TXKUP3 PARTS LIST

NO GRAPHIC AVAILABLE

75013702

REV
A

**NO
GRAPHIC
AVAILABLE**

MODEL NOMENCLATURE Outdoor Unit – Inverter High Wall Systems	75009849	REV A
Model Number Example 4 T X K 8 5 1 2 A 1 0 N 0 B A 1 2 3 4 5 6 7 8 9 10 11 12 13 14 15		
Digit 1 = Refrigerant 4 = R-410a	Digit 9 = Major Development Sequence A = First Development Sequence B = Second Development Sequence C = Third Development Sequence	
Digit 2 = Brand Name T = Mini Split Outdoor Unit	Digit 10 = Electric Power Supply Characteristics 1 = 208-230/60/1	
Digit 3 = Functional Type X = Heat Pump Inverter Y = Cooling Only Inverter	Digit 11 = Reserved for Future Use 0 = Not currently used	
Digit 4 = Configuration Outdoor Unit K = Single Refrigerant Circuit M = Multiple Refrigerant Circuit	Digit 12 = Regional Markets Served (1:1 Systems) N = North America Market	
Digit 5 = Efficiency Tier 6 - 16+ SEER 8 - 18+ SEER	Digit 13 = Reserved for Future Use 0 = Not currently used	
Digit 6 = Connection Type 5 - Flare	Digit 14 = Minor Design Sequence A = First Design Sequence B = Second Design Sequence C = Third Design Sequence	
Digit 7,8 = Nominal Capacity (Btu/h x 1,000) 09 = 9,000 Btu/h 12 = 12,000 Btu/h 18 = 18,000 Btu/h 24 = 24,000 Btu/h 30 = 30,000 Btu/h 36 = 36,000 Btu/h 42 = 42,000 Btu/h	Digit 15 = Service Digit A = First Sequence	

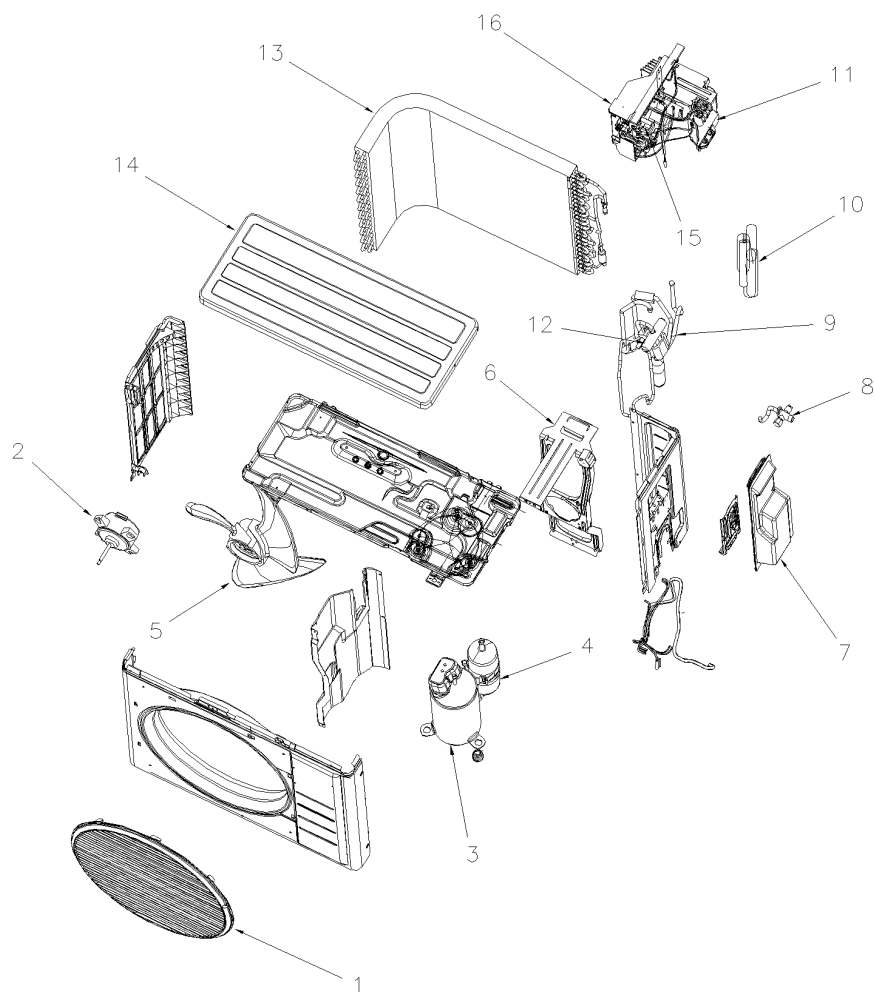
Part No.	Reference No.	Quantity	Description
75009849_TXKUP3_203491-P	*		MODEL NOMENCLATURE PARTS LIST

MODEL NOMENCLATURE Outdoor Unit – Inverter High Wall Systems	75009849	<div style="border: 1px solid black; display: inline-block; padding: 2px;">REV A</div>
Model Number Example 4 T X K 8 5 1 2 A 1 0 N 0 B A 1 2 3 4 5 6 7 8 9 10 11 12 13 14 15		
Digit 1 = Refrigerant 4 = R-410a	Digit 9 = Major Development Sequence A = First Development Sequence B = Second Development Sequence C = Third Development Sequence	
Digit 2 = Brand Name T = Mini Split Outdoor Unit	Digit 10 = Electric Power Supply Characteristics 1 = 208-230/60/1	
Digit 3 = Functional Type X = Heat Pump Inverter Y = Cooling Only Inverter	Digit 11 = Reserved for Future Use 0 = Not currently used	
Digit 4 = Configuration Outdoor Unit K = Single Refrigerant Circuit M = Multiple Refrigerant Circuit	Digit 12 = Regional Markets Served (1:1 Systems) N = North America Market	
Digit 5 = Efficiency Tier 6 - 16+ SEER 8 - 18+ SEER	Digit 13 = Reserved for Future Use 0 = Not currently used	
Digit 6 = Connection Type 5 - Flare	Digit 14 = Minor Design Sequence A = First Design Sequence B = Second Design Sequence C = Third Design Sequence	
Digit 7,8 = Nominal Capacity (Btu/h x 1,000) 09 = 9,000 Btu/h 12 = 12,000 Btu/h 18 = 18,000 Btu/h 24 = 24,000 Btu/h 30 = 30,000 Btu/h 36 = 36,000 Btu/h 42 = 42,000 Btu/h	Digit 15 = Service Digit A = First Sequence	

GENERAL ASSEMBLY

75009858

REV
A



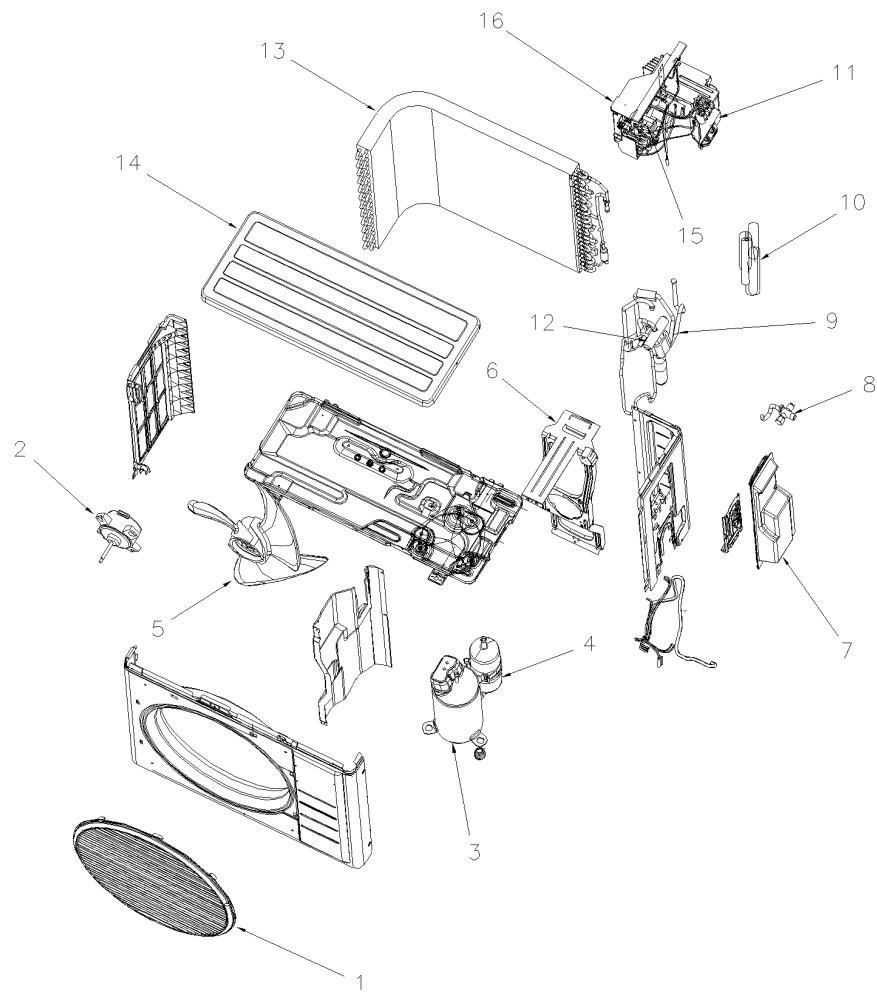
* NOT ILLUSTRATED
TYPICAL ILLUSTRATION

Part No.	Reference No.	Quantity	Description
75009858_TXKUP3_371089-P	*		GENERAL ASSEMBLY PARTS LIST

GENERAL ASSEMBLY

75009858

REV
A



* NOT ILLUSTRATED
TYPICAL ILLUSTRATION

Part No.	Reference No.	Quantity	Description
FTG01287	*	1	FITTING;DRAINAGE JOINT
PAI00420	*	1	PAINT; CUSTOM PAINT MATCH FOR MINI SPLIT
PNL31857	*	1	PANEL; CABINET
SEN02776	*	1	SENSOR; TEMPERATURE
GRL01690	1	1	GRILLE; FRONT GRILL(01473053)
MOT13897	2	1	MOTOR; FAN MOTOR(1501307301)
COM10575	3	1	COMPRESSOR; ASSEMBLY AND FITTINGS
OLD00763	4	1	OVERLOAD; COMPRESSOR PROTECTOR(EXTERNAL)
FAN04441	5	1	FAN; AXIAL FLOW FAN SUB-ASSY(1033300901)
SUP05537	6	1	SUPPORT; MOTOR
HDL01101	7	1	HANDLE; HANDLE(26233044)
VAL18774	8	1	VALVE; CUT OFF
BOX03179	11	1	BOX; ELECTRIC ASSY
COL18463	12	1	COIL; MAGNET
CDS01441	13	1	CONDENSER; CONDENSER ASSY(01113501)
COV04459	14	1	COVER; SUB-ASSEMBLY TOP
BRD05391	15	1	BOARD; MAIN

		LineSets for MiniSplits					75009919	
Size and Length		Used for	Models (Frame Outdoor Unit P/Ns)					
1	KIT16423	1/4" x 3/8" - 25'	16 SEER 9MMh & 12 MMh 18 SEER 9MMh & 12 MMh	4TYK6509A10N0BA	4TYK6512A10N0BA	4TXK6509A10N0BA	4TXK6512A10N0BA	4TXK6509A10N0BA & 4TXK6512A10N0BA & 4TXK6512A10N0CA
2	KIT16424	1/4" x 3/8" - 35'	16 SEER 9MMh & 12 MMh 18 SEER 9MMh & 12 MMh	4TYK6509A10N0BA	4TYK6512A10N0BA	4TXK6509A10N0BA	4TXK6512A10N0BA	4TXK6509A10N0BA & 4TXK6512A10N0CA
3	KIT15228	1/4" x 3/8" - 50'	16 SEER 9MMh & 12 MMh 18 SEER 9MMh & 12 MMh	4TYK6509A10N0BA	4TYK6512A10N0BA	4TXK6509A10N0BA	4TXK6512A10N0BA	4TXK6509A10N0BA & 4TXK6512A10N0CA
4	KIT16425	1/4" x 1/2" - 25'	16 SEER 18MMh & 24MMh 18 SEER 18MMh	4TYK6518A10N0BA	4TYK6524A10N0BA	4TXK6518A10N0BA	4TXK6524A10N0BA	4TXK6518A10N0BA & 4TXK6518A10N0CA
5	KIT16426	1/4" x 1/2" - 35'	16 SEER 18MMh & 24MMh 18 SEER 18MMh	4TYK6518A10N0BA	4TYK6524A10N0BA	4TXK6518A10N0BA	4TXK6524A10N0BA	4TXK6518A10N0BA & 4TXK6518A10N0CA
6	KIT15229	1/4" x 1/2" - 50'	16 SEER 18MMh & 24MMh 18 SEER 18MMh	4TYK6518A10N0BA	4TYK6524A10N0BA	4TXK6518A10N0BA	4TXK6524A10N0BA	4TXK6518A10N0BA & 4TXK6518A10N0CA
7	KIT16427	1/4" x 5/8" - 25'	18 SEER 24MMh & 36MMh	4TXK8524A10N0BA & 4TXK8524A10N0CA	4TXK8536A10N0BA & 4TXK8536A10N0CA			
8	KIT16428	1/4" x 5/8" - 35'	18 SEER 24MMh & 36MMh	4TXK8524A10N0BA & 4TXK8524A10N0CA	4TXK8536A10N0BA & 4TXK8536A10N0CA			
9	KIT15230	1/4" x 5/8" - 50'	18 SEER 24MMh & 36MMh	4TXK8524A10N0BA & 4TXK8524A10N0CA	4TXK8536A10N0BA & 4TXK8536A10N0CA			

Part No.	Reference No.	Quantity	Description
75009919_TXKUP3_359845-P	*		LINESETS - ACCESSORIES PARTS LIST

		Line Sets for Mini Splits					75009919	
Size and Length		Used for	Models (Frame Outdoor Unit P/Ns)					
1	KIT16423	1/4" x 3/8" - 25'	16 SEER 9MBH & 12 MBH 18 SEER 9MBH & 12 MBH	4TYK6509A10N0BA	4TYK6512A10N0BA	4TXK6509A10N0BA	4TXK6512A10N0BA	4TXK6509A10N0BA & 4TXK6512A10N0BA & 4TXK6512A10N0CA
2	KIT16424	1/4" x 3/8" - 35'	16 SEER 9MBH & 12 MBH 18 SEER 9MBH & 12 MBH	4TYK6509A10N0BA	4TYK6512A10N0BA	4TXK6509A10N0BA	4TXK6512A10N0BA	4TXK6509A10N0BA & 4TXK6512A10N0CA
3	KIT15228	1/4" x 3/8" - 50'	16 SEER 9MBH & 12 MBH 18 SEER 9MBH & 12 MBH	4TYK6509A10N0BA	4TYK6512A10N0BA	4TXK6509A10N0BA	4TXK6512A10N0BA	4TXK6509A10N0BA & 4TXK6512A10N0CA
4	KIT16425	1/4" x 1/2" - 25'	16 SEER 18MBH & 24MBH 18 SEER 18MBH	4TYK6518A10N0BA	4TYK6524A10N0BA	4TXK6518A10N0BA	4TXK6524A10N0BA	4TXK6518A10N0BA & 4TXK6518A10N0CA
5	KIT16426	1/4" x 1/2" - 35'	16 SEER 18MBH & 24MBH 18 SEER 18MBH	4TYK6518A10N0BA	4TYK6524A10N0BA	4TXK6518A10N0BA	4TXK6524A10N0BA	4TXK6518A10N0BA & 4TXK6518A10N0CA
6	KIT15229	1/4" x 1/2" - 50'	16 SEER 18MBH & 24MBH 18 SEER 18MBH	4TYK6518A10N0BA	4TYK6524A10N0BA	4TXK6518A10N0BA	4TXK6524A10N0BA	4TXK6518A10N0BA & 4TXK6518A10N0CA
7	KIT16427	1/4" x 5/8" - 25'	18 SEER 24MBH & 36MBH	4TXK8524A10N0BA & 4TXK8524A10N0CA	4TXK8536A10N0BA & 4TXK8536A10N0CA			
8	KIT16428	1/4" x 5/8" - 35'	18 SEER 24MBH & 36MBH	4TXK8524A10N0BA & 4TXK8524A10N0CA	4TXK8536A10N0BA & 4TXK8536A10N0CA			
9	KIT15230	1/4" x 5/8" - 50'	18 SEER 24MBH & 36MBH	4TXK8524A10N0BA & 4TXK8524A10N0CA	4TXK8536A10N0BA & 4TXK8536A10N0CA			

Parts List Number :TXKUP3#TXKUP3

Model Number :4TXK6512A10N0BA

Part No.	Reference No.	Quantity	Description
KIT16423	1	1	LINE SET; 1/4 X 3/8 X 1/2 X 25FT MINI-SPLIT NO BEND, NO PLAIN END, HAS FLARE FITTINGS, NO CONTROL WIRE MUE 40620250B3B6
KIT16424	2	1	LINE SET; 1/4 X 3/8 X 1/2 X 35FT MINI-SPLIT NO BEND, NO PLAIN END, HAS FLARE FITTINGS, NO CONTROL WIRE MUE 40620350B3B6
KIT15228	3	1	LINE SET; 1/4 X 3/8 X 1/2 X 50FT MINI-SPLIT NO BEND, NO PLAIN END, HAS FLARE FITTINGS, NO CONTROL WIRE MUE 40620500B3B6