

<b>Part No.</b>	<b>Reference No.</b>	<b>Quantity</b>	<b>Description</b>
75011647#4MXWUP4~S	*		2.0 TON OUTDOOR FAN, COIL, COM & CONTROLS SECTION
75011645#4MXWUP4~S	*		2.0 TON OUTDOOR PANELS SECTION
4MXWUP4_4MXWUP4_177652~ P	*		4MXWUP4 PARTS LIST
75011611#4MXWUP4~S	*		OUTDOOR MODEL NOMENCLATURE

NO GRAPHIC AVAILABLE

75013702

REV  
A

**NO  
GRAPHIC  
AVAILABLE**

MODEL NUMBER DESCRIPTION	75011611	REV. A
Amber ODU		
<i>Example Model Number:</i> <b>4TXK3809A10NUAA</b> <small>1 - - - 9 - - - - 10 - - - - 15</small>		
<b>Digits 1 – Refrigerant</b> 4 = R-410A		
<b>Digits 2 – Brand</b> T = Trane		
<b>Digits 3 – Functional Type</b> X = Heat Pump Inverter		
<b>Digits 4 – Configuration Outdoor Unit</b> K = Single Refrigerant Circuit		
<b>Digits 5, 6 – Efficiency Tier</b> 38 = Up To 38 SEER Ultra Low		
<b>Digits 7, 8 – Nominal Capacity (Btu/h x 1,000)</b> 09 = 9,000 Btu/h 12 = 12,000 Btu/h 18 = 18,000 Btu/h 24 = 24,000 Btu/h		
<b>Digits 9 – Major Development Sequence</b> A = First Development Sequence B = Second Development Sequence C = Third Development Sequence		
<b>Digits 10 – Electric Power Supply Characteristics</b> 1 = 208-230/60/1		
<b>Digits 11 – Open for future development</b> 0 = Unused		
<b>Digits 12 – Configuration Indoor Unit Regional Markets Served (1:1 Systems)</b> N = North America Market		
<b>Digits 13 – Special Unit Designator</b> U = Ultra Low Ambient		
<b>Digits 14 – Minor Design Sequence</b> A = First Design Sequence B = Second Design Sequence		
<b>Digits 15 – Service Digit</b>		
1 of 1		

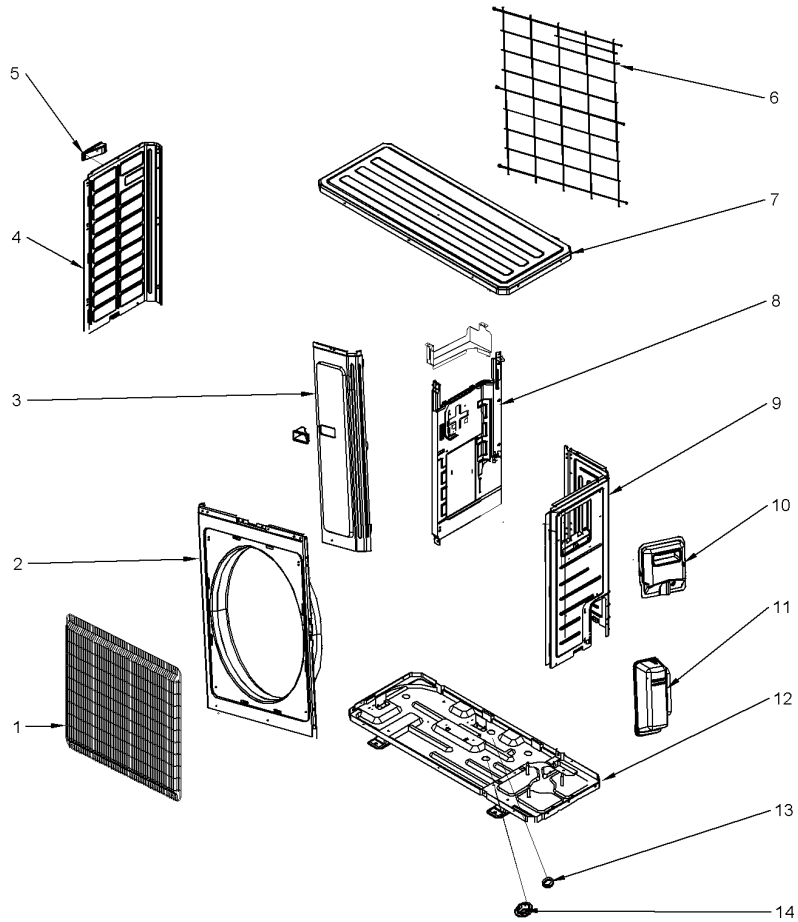
Part No.	Reference No.	Quantity	Description
75011611_4MXWUP4_177653~P	*		OUTDOOR MODEL NOMENCLATURE PARTS LIST

<b>MODEL NUMBER DESCRIPTION</b>	75011611	REV A
Amber ODU		
<i>Example Model Number:</i> <b>4TXK3809A10NUAA</b> <small>1 - - - 9 - - - - 10 - - - - 15</small>		
<b>Digits 1 – Refrigerant</b> 4 = R-410A		
<b>Digits 2 – Brand</b> T = Trane		
<b>Digits 3 – Functional Type</b> X = Heat Pump Inverter		
<b>Digits 4 – Configuration Outdoor Unit</b> K = Single Refrigerant Circuit		
<b>Digits 5, 6 – Efficiency Tier</b> 38 = Up To 38 SEER Ultra Low		
<b>Digits 7, 8 – Nominal Capacity (Btu/h x 1,000)</b> 09 = 9,000 Btu/h 12 = 12,000 Btu/h 18 = 18,000 Btu/h 24 = 24,000 Btu/h		
<b>Digits 9 – Major Development Sequence</b> A = First Development Sequence B = Second Development Sequence C = Third Development Sequence		
<b>Digits 10 – Electric Power Supply Characteristics</b> 1 = 208-230/60/1		
<b>Digits 11 – Open for future development</b> 0 = Unused		
<b>Digits 12 – Configuration Indoor Unit Regional Markets Served (1:1 Systems)</b> N = North America Market		
<b>Digits 13 – Special Unit Designator</b> U = Ultra Low Ambient		
<b>Digits 14 – Minor Design Sequence</b> A = First Design Sequence B = Second Design Sequence		
<b>Digits 15 – Service Digit</b>		
1 of 1		

ODU ULTRA LOW AMBIENT HPI SRC AMBER  
2.0 TON PANELS SECTION

75011645

REV.  
A



All orderable Service Parts are identified for this product.

Parts that are not identified, will not be available to order.

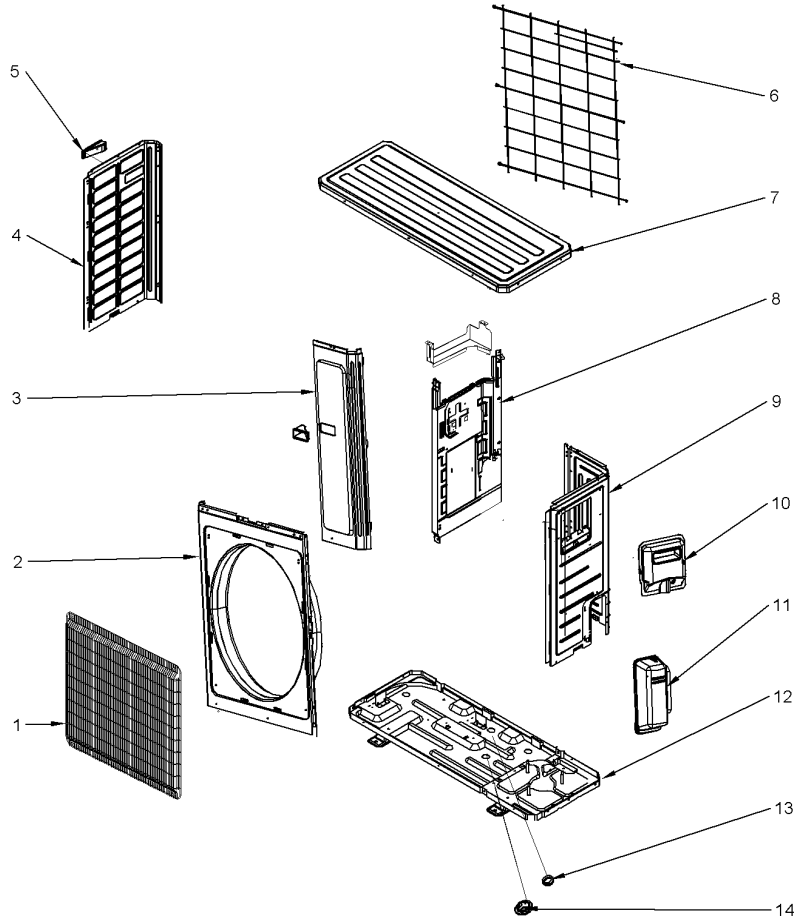
This is a typical illustration. The unit in the field may not appear exactly as shown.

Part No.	Reference No.	Quantity	Description
75011645_4MXWUP4_242702~P	*		2.0 TON OUTDOOR PANELS SECTION PARTS LIST

ODU ULTRA LOW AMBIENT HPI SRC AMBER  
2.0 TON PANELS SECTION

75011645

REV.  
A



All orderable Service Parts are identified for this product.

Parts that are not identified, will not be available to order.

This is a typical illustration. The unit in the field may not appear exactly as shown.

Parts List Number :4MXWUP4#4MXWUP4

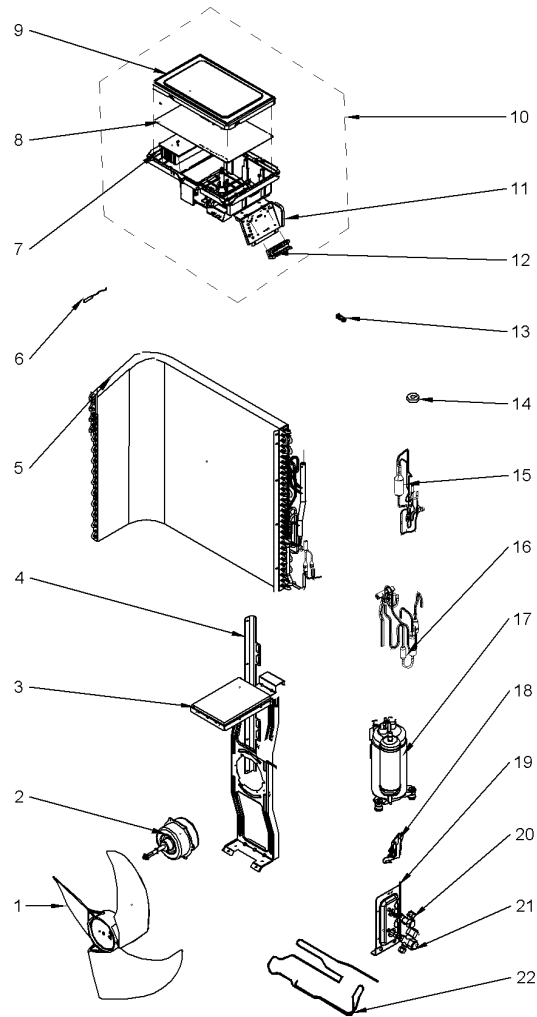
Model Number :4TXK3824A10NUAA

<b>Part No.</b>	<b>Reference No.</b>	<b>Quantity</b>	<b>Description</b>
PAI00420	*	1	PAINT; CUSTOM PAINT MATCH FOR MINI SPLIT
GRL01838	1	1	GRILL; FRONT
PNL31638	2	1	PANEL; FRONT
PLT05367	3	1	PLATE; FRONT SIDE, SUB-ASSY
PNL29543	4	1	PANEL; LEFT SIDE PLATE
HDL01293	5	1	HANDLE;
GRL01948	6	1	GRILLE; REAR
PNL34026	7	1	PANEL; TOP
PLT06108	8	1	PLATE; FAN-REFRIGERATION DIVIDER
PNL29409	9	1	PANEL; RIGHT SIDE PLATE
HDL01100	10	1	HANDLE; HANDLE ASSY( 02113109)
COV04874	11	1	COVER; VALVE
BAS02862	12	1	BASE; CHASSIS SUB-ASSY
CAP01252	13	1	CAP; DRAINAGE HOLE
FTG01288	14	1	FITTING; DRAINAGE JOINT

ODU ULTRA LOW AMBIENT HPI SRC AMBER  
2.0 TON FAN, COIL, COM & CONTROLS SECTION

75011647

REV.  
A



All orderable Service Parts are identified for this product.

Parts that are not identified, will not be available to order.

This is a typical illustration. The unit in the field may not appear exactly as shown.

Parts List Number :4MXWUP4#4MXWUP4

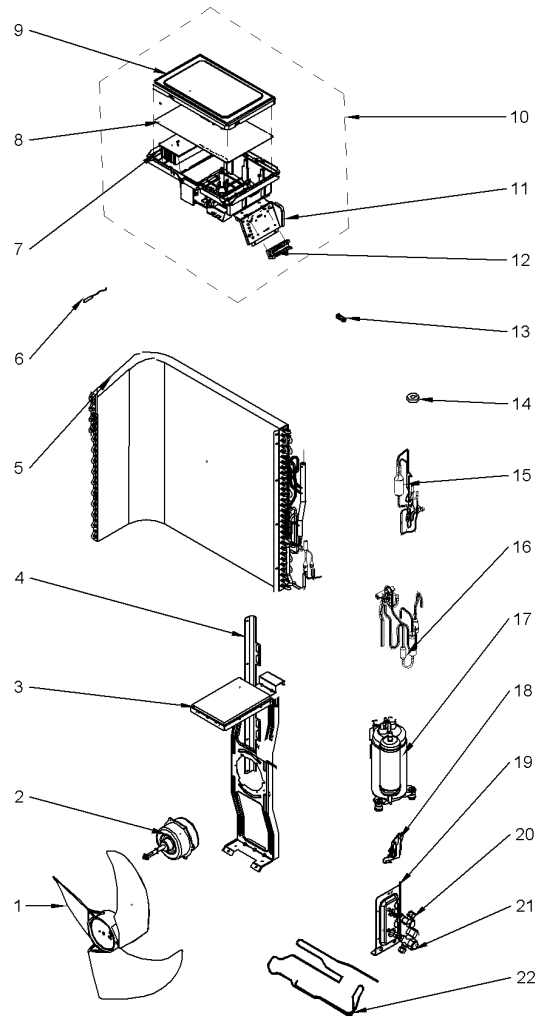
Model Number :4TXK3824A10NUAA

Part No.	Reference No.	Quantity	Description
75011647_4MXWUP4_242704~P	*		2.0 TON OUTDOOR FAN, COIL, COM & CONTROLS SECTION PARTS LIST

ODU ULTRA LOW AMBIENT HPI SRC AMBER  
2.0 TON FAN, COIL, COM & CONTROLS SECTION

75011647

REV.  
A



All orderable Service Parts are identified for this product.  
Parts that are not identified, will not be available to order.  
This is a typical illustration. The unit in the field may not appear exactly as shown.

Parts List Number :4MXWUP4#4MXWUP4

Model Number :4TXK3824A10NUAA

Part No.	Reference No.	Quantity	Description
FAN05027	1	1	FAN; AXIAL FLOW
MOT17620	2	1	MOTOR;
BRK04799	3	1	BRACKET; MOTOR SUPPORT ASSY
PLT05362	4	1	PLATE; CONDENSER SUPPORT
COL27779	5	1	COIL; CONDENSER ASSY
SEN01804	6	1	SENSOR; TEMPERATURE (INCLUDES; DISCHARGE TUBE SENSOR (50K), COIL TUBE SENSOR (20K) AND OUTDOOR AMBIENT SENSOR (15K))
HTR16635	7	1	HEATER; HEAT SINK
BRD05705	8	1	BOARD; MAIN
COV04873	9	1	COVER; ELECTRIC BOX
BOX03045	10	1	BOX; ELECTRIC ASSY
BRD05706	11	1	BOARD; TERMINAL SUPPORT SUB ASSY
BRD03384	12	1	BOARD; TERMINAL
CMP01443	13	1	CLAMP; WIRING
MOT17619	14	1	MOTOR; MAGNET COIL
VAL12631	15	1	VALVE; ELECTRONIC EXPANSION ASSY
VAL12607	16	1	VALVE; 4-WAY ASSY
COM12476	17	1	COMPRESSOR;
SUP06145	18	1	SUPPORT; VALVE (INSERT)
BRK04803	19	1	BRACKET; SERVICE VALVE SUPPORT ASSY
VAL12615	20	1	VALVE; LIQUID SERVICE
VAL12616	21	1	VALVE; VAPOR SERVICE
ELM09214	22	1	ELEMENT; ELECTRICAL HEATER (CHASSIS)