

<b>Part No.</b>	<b>Reference No.</b>	<b>Quantity</b>	<b>Description</b>
4MXWUP2_4MXWUP2_217390~ P	*		4MXWUP2 PARTS LIST
75010662#4MXWUP2~S	*		ELECTRIC BOX ASSY 2 TON OUTDOOR UNITS
75010659#4MXWUP2~S	*		GENERAL ASSY 2 TON OUTDOOR UNITS
75010630#4MXWUP2~S	*		OUTDOOR 4TXK 27 SEER MODEL NOMENCLATURE
4TXK2701#4MXWUP2~S	*		OUTDOOR LINESETS & ACCESSORIES

NO GRAPHIC AVAILABLE

75013702

REV  
A

**NO  
GRAPHIC  
AVAILABLE**

MODEL NUMBER DESCRIPTION  
27 SEER OUTDOOR MINI SPLIT HEAT PUMP INVERTER

75010630

REV.  
A

*Example Model Number:*

**4TXK2712A10N0AA**  
1 - - - - 5 - - - - 10 - - - - 15

**Digit 1 – Refrigerant**

4 = R-410A

**Digit 2 – Brand**

T = Mini-Split Outdoor Unit

**Digit 3 – Functional Type**

X = Heat Pump Inverter

**Digit 4 – Configuration Outdoor Unit**

K = Single Refrigerant Circuit

**Digits 5, 6 – Efficiency Tier**

27 = 27 SEER

**Digits 7, 8 – Nominal Capacity (BTU/h x 1,000)**

09 = 9,000 btu/h  
12 = 12,000 btu/h  
18 = 18,000 btu/h  
24 = 24,000 btu/h

**Digit 9 – Major Development Sequence**

A = First Development Sequence

**Digit 10 – Electric Power Supply**

1 = 208-230/60/1

**Digit 11 – Reserved for Future Use**

0 = Not Currently Used

**Digit 12 – Regional Markets Served**

N = North America Market

**Digit 13 – Reserved for Future Use**

0 = Not Currently Used

**Digit 14 – Minor Design Sequence**

A = First Design Sequence

**Digit 15 – Service Digit**

A = First Sequence

Parts List Number :4MXWUP2#4MXWUP2

Model Number :4TXK2724A10N0AA

Part No.	Reference No.	Quantity	Description
75010630_4MXWUP2_217392~P	*		OUTDOOR 4TXK 27 SEER MODEL NOMENCLATURE PARTS LIST

MODEL NUMBER DESCRIPTION  
27 SEER OUTDOOR MINI SPLIT HEAT PUMP INVERTER

75010630

REV.  
A

*Example Model Number:*

**4TXK2712A10N0AA**  
1 - - - - 5 - - - - 10 - - - - 15

**Digit 1 – Refrigerant**

4 = R-410A

**Digit 2 – Brand**

T = Mini-Split Outdoor Unit

**Digit 3 – Functional Type**

X = Heat Pump Inverter

**Digit 4 – Configuration Outdoor Unit**

K = Single Refrigerant Circuit

**Digits 5, 6 – Efficiency Tier**

27 = 27 SEER

**Digits 7, 8 – Nominal Capacity (BTU/h x 1,000)**

09 = 9,000 btu/h  
12 = 12,000 btu/h  
18 = 18,000 btu/h  
24 = 24,000 btu/h

**Digit 9 – Major Development Sequence**

A = First Development Sequence

**Digit 10 – Electric Power Supply**

1 = 208-230/60/1

**Digit 11 – Reserved for Future Use**

0 = Not Currently Used

**Digit 12 – Regional Markets Served**

N = North America Market

**Digit 13 – Reserved for Future Use**

0 = Not Currently Used

**Digit 14 – Minor Design Sequence**

A = First Design Sequence

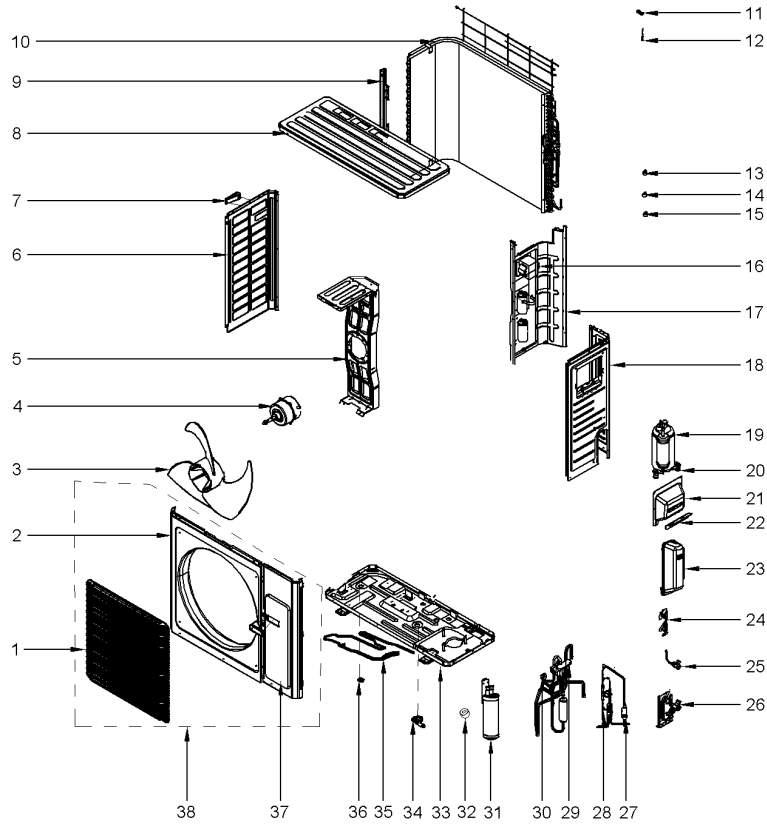
**Digit 15 – Service Digit**

A = First Sequence

GENERAL ASSEMBLY  
2.0 TON 27 SEER OUTDOOR  
TYPICAL ILLUSTRATION

75010659

REV.  
A



Parts List Number :4MXWUP2#4MXWUP2

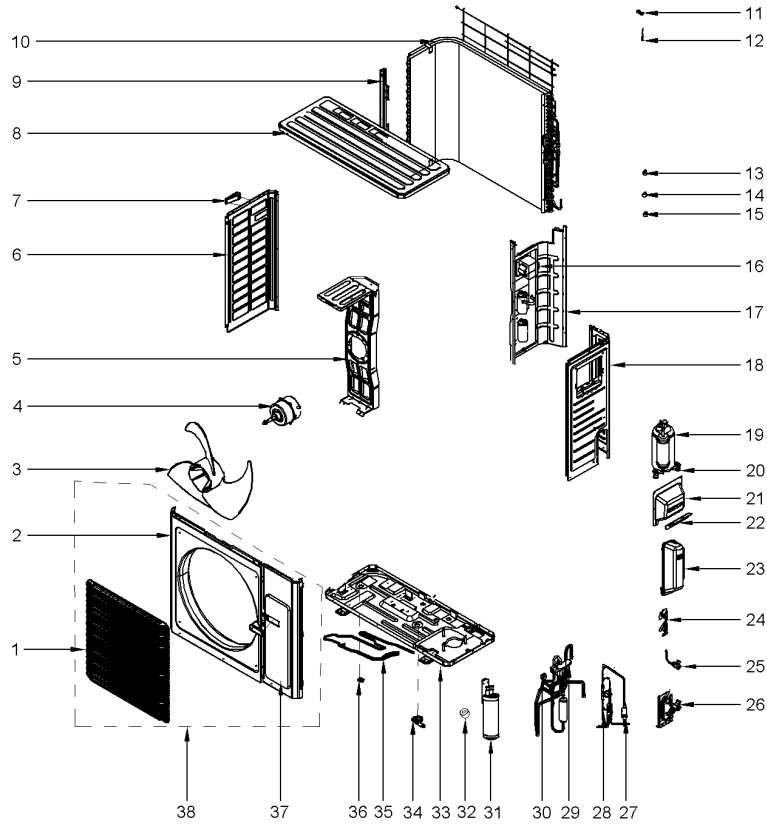
Model Number :4TXK2724A10N0AA

Part No.	Reference No.	Quantity	Description
75010659_4MXWUP2_371946~P	*		GENERAL ASSY 2 TON OUTDOOR UNITS PARTS LIST

GENERAL ASSEMBLY  
2.0 TON 27 SEER OUTDOOR  
TYPICAL ILLUSTRATION

75010659

REV.  
A



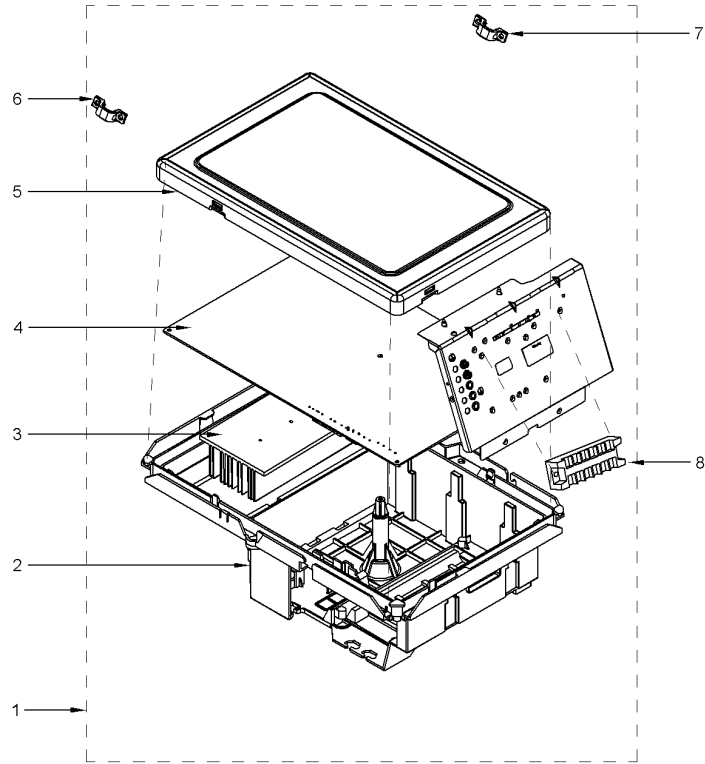
Part No.	Reference No.	Quantity	Description
PAI00420	*	1	PAINT; CUSTOM PAINT MATCH FOR MINI SPLIT
GRL01838	1	1	GRILL; FRONT
PNL31638	2	1	PANEL; FRONT
FAN05385	3	1	FAN; AXIAL FLOW
MOT16746	4	1	MOTOR; FAN
SUP05894	5	1	SUPPORT; MOTOR SUPPORT SUB-ASSY
PNL29543	6	1	PANEL; LEFT SIDE PLATE
HDL01103	7	1	HANDLE; LEFT HANDLE( 26235401)
COV04461	8	1	COVER; TOP
PLT05362	9	1	PLATE; CONDENSER SUPPORT
COL25227	10	1	COIL; CONDENSER ASSY
CMP01443	11	1	CLAMP; WIRING
SEN01804	12	1	SENSOR; TEMPERATURE (INCLUDES; DISCHARGE TUBE SENSOR (50K), COIL TUBE SENSOR (20K) AND OUTDOOR AMBIENT SENSOR (15K))
OLD00725	13	1	OVERLOAD; COMPRESSOR, PROTECTOR, EXTERNAL
OLD00764	14	1	OVERLOAD; COMPRESSOR PROTECTOR(EXTERNAL)
OLD00765	15	1	OVERLOAD; COMPRESSOR PROTECTOR(EXTERNAL)
TRR02674	16	1	TRANSFORMER; REACTOR
PNL31757	17	1	PANEL; CLAPBOARD SUB-ASSY
PNL29409	18	1	PANEL; RIGHT SIDE PLATE
COM11778	19	1	COMPRESSOR; AND FITTINGS
GKT04739	20	3	GASKET; COMPRESSOR
HDL01100	21	1	HANDLE; HANDLE ASSY( 02113109)
BLK01462	22	1	BLOCK;
COV04874	23	1	COVER; VALVE
SUP05899	24	1	SUPPORT; BAFFLE (VALVE SUPPORT)
VAL09362	25	1	VALVE; CUT-OFF LIQUID
VAL09900	26	1	VALVE; CUT-OFF (GAS)
SRA01028	27	1	STRAINER;
SRA01029	28	1	STRAINER;
VAL11792	29	1	VALVE; 4-WAY
COL16754	30	1	COIL; SOLNOID REVERSING VALVE
SEP00268	31	1	SEPERATOR; GAS-LIQUID
FTG01308	32	1	FITTING; ELECTRIC EXPAND VALVE
BAS02701	33	1	BASE; CHASSIS SUB-ASSY
FTG01288	34	1	FITTING; DRAINAGE JOINT
ELM09214	35	1	ELEMENT; ELECTRICAL HEATER (CHASSIS)
CAP01252	36	1	CAP; DRAINAGE HOLE
PLT05367	37	1	PLATE; FRONT SIDE, SUB-ASSY
CAS02042	38	1	CASING; CABINET

OUTDOOR ELECTRIC BOX ASSEMBLY

75010662

REV.  
A

2.0 TON 27 SEER OUTDOOR  
TYPICAL ILLUSTRATION



Parts List Number :4MXWUP2#4MXWUP2

Model Number :4TXK2724A10N0AA

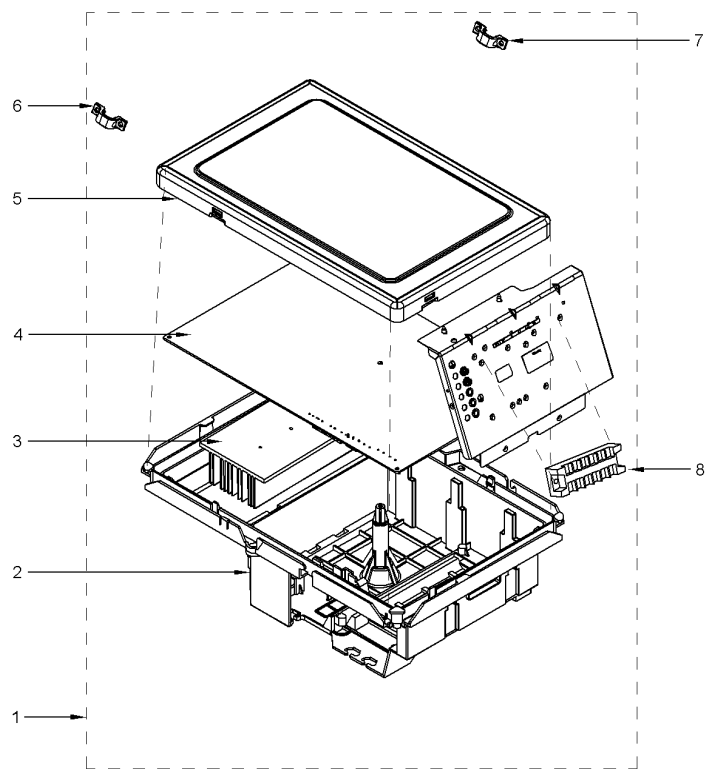
Part No.	Reference No.	Quantity	Description
75010662_4MXWUP2_371947~P	*		ELECTRIC BOX ASSY 2 TON OUTDOOR UNITS PARTS LIST

OUTDOOR ELECTRIC BOX ASSEMBLY

75010662

REV.  
A

2.0 TON 27 SEER OUTDOOR  
TYPICAL ILLUSTRATION



Parts List Number :4MXWUP2#4MXWUP2

Model Number :4TXK2724A10N0AA

<b>Part No.</b>	<b>Reference No.</b>	<b>Quantity</b>	<b>Description</b>
CNT07302	1	1	CONTROL; ELECTRIC BOX ASSY
BOX02714	2	1	BOX; ELECTRIC
EXC02587	3	1	EXCHANGER; RADIATOR
BRD05180	4	1	BOARD; MAIN
COV04873	5	1	COVER; ELECTRIC BOX
CMP01444	6	1	CLAMP; WIRE
CMP01451	7	1	CLAMP; WIRE
BRD03384	8	1	BOARD; TERMINAL

Part No.	Reference No.	Quantity	Description
4TXK2701_4MXWUP2_315287~P	*		OUTDOOR LINESETS & ACCESSORIES PARTS LIST

NO GRAPHIC AVAILABLE

75013702

REV  
A

**NO  
GRAPHIC  
AVAILABLE**

Parts List Number :4MXWUP2#4MXWUP2

Model Number :4TXK2724A10N0AA

Part No.	Reference No.	Quantity	Description
KIT15230	*	1	LINE SET; 1/4 X 5/8 X 1/2 X 50FT MINI-SPLIT NO BEND, NO PLAIN END, HAS FLARE FITTINGS, NO CONTROL WIRE MUE 4102050B3B6
KIT16427	*	1	LINE SET; 1/4 X 5/8 X 1/2 X 25FT MINI-SPLIT NO BEND, NO PLAIN END, HAS FLARE FITTINGS, NO CONTROL WIRE MUE 41020250B3B6
KIT16428	*	1	LINE SET; 1/4 X 5/8 X 1/2 X 35FT MINI-SPLIT NO BEND, NO PLAIN END, HAS FLARE FITTINGS, NO CONTROL WIRE MUE 41020350B3B6