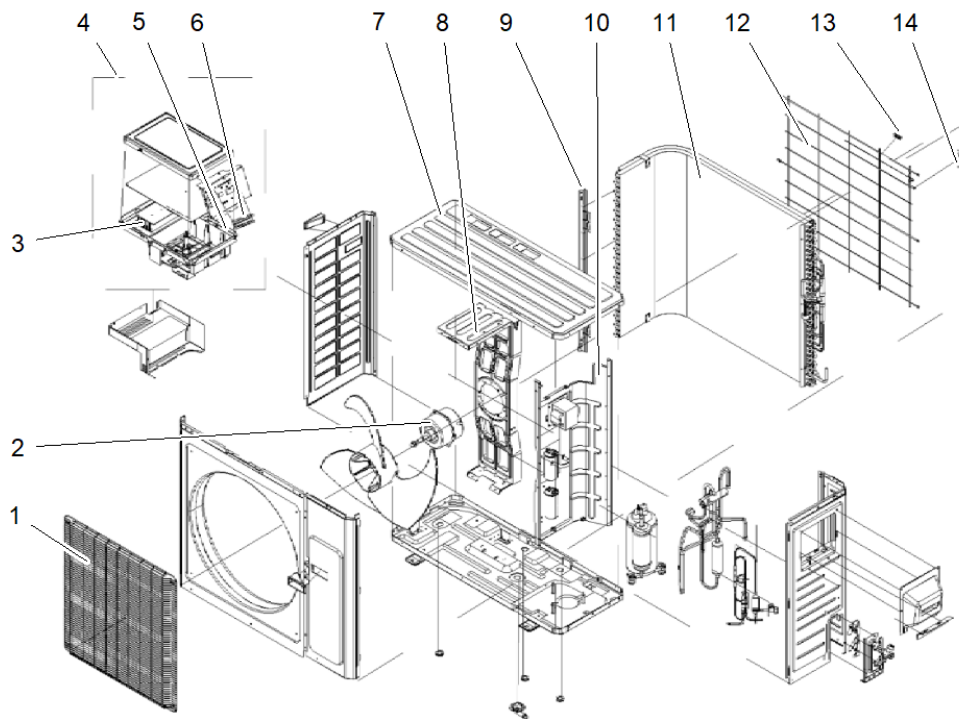


Parts List Number :0000157031

Model Number :4TXK2530A10N0AA

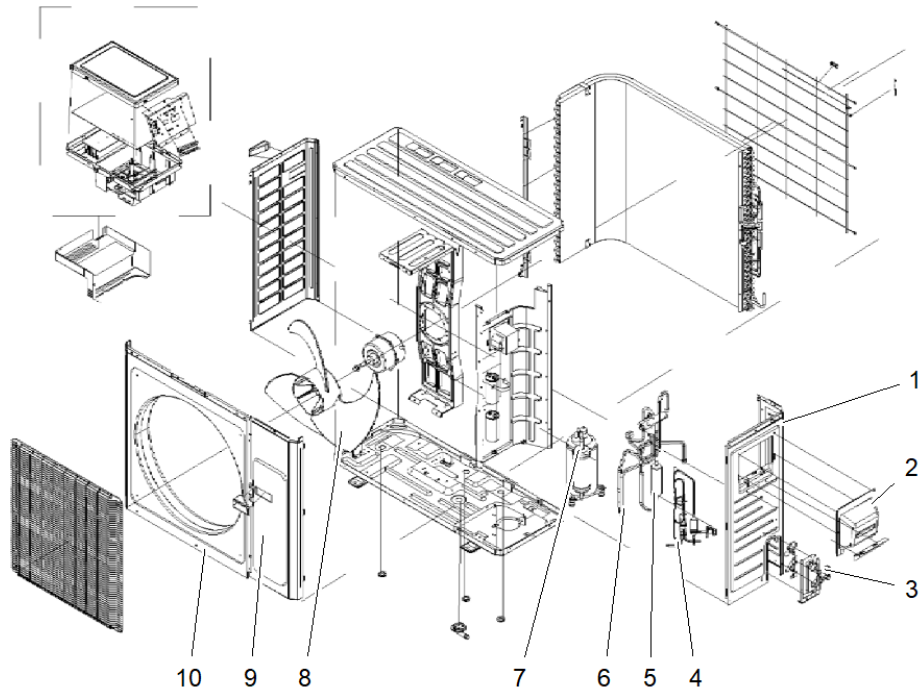
Part No.	Reference No.	Quantity	Description
0000157033~S	*		General Assembly 1
0000157034~S	*		General Assembly 2
0000157032~S	*		Model Number Description

Part No.	Reference No.	Quantity	Description
0000030663~P	*		General Assembly 1



Part No.	Reference No.	Quantity	Description
GRL02234	1	1	GRILLE; FRONT OUTDOOR FAN
MOT17620	2	1	MOTOR;
EXC02874	3	1	EXCHANGER; RADIATOR, HEAT SINK
CNT08797	4	1	CONTROL; ELECTRIC BOX ASSEMBLY
BRD05706	5	1	BOARD; TERMINAL SUPPORT SUB ASSY
BLK01706	6	1	BLOCK; HIGH VOLTAGE ELECTRICAL TERMINAL CONNECTOR
PNL36423	7	1	PANEL; TOP COVER
BRK04800	8	1	BRACKET; MOTOR SUPPORT ASSY
PLT05362	9	1	PLATE; CONDENSER SUPPORT
PLT06105	10	1	PLATE; FAN-REFRIGERATION DIVIDER
COL28552	11	1	COIL; CONDENSER, ASSY
GRL01948	12	1	GRILLE; REAR
CMP01443	13	1	CLAMP; WIRING
SEN01804	14	1	SENSOR; TEMPERATURE (INCLUDES; DISCHARGE TUBE SENSOR (50K), COIL TUBE SENSOR (20K) AND OUTDOOR AMBIENT SENSOR (15K))

Part No.	Reference No.	Quantity	Description
0000030665~P	*		General Assembly 2



Part No.	Reference No.	Quantity	Description
PNL29409	1	1	PANEL; RIGHT SIDE PLATE
HDL01233	2	1	HANDLE; BIG
VAL09900	3	1	VALVE; CUT-OFF (GAS)
TUB15894	4	1	TUBE; CAPILLARY
VAL20440	5	1	VALVE; FOUR WAY VALVE ASSEMBLY
COL16754	6	1	COIL; SOLNOID REVERSING VALVE
COM13821	7	1	COMPRESSOR;
FAN05385	8	1	FAN; AXIAL FLOW
PLT05367	9	1	PLATE; FRONT SIDE, SUB-ASSY
CAS02042	10	1	CASING; CABINET

Part No.	Reference No.	Quantity	Description
0000030640~P	*		Model Number Description(Outdoor Unit)

MODEL NUMBER DESCRIPTION
17/25 SEER MINI SPLIT LOMO OUTDOOR

75015158

REV
A

Example Model Number:
4TXK1709A10N0AA
1 - - - 5 - - - 10 - - - 15

Digits 1 – Refrigerant
4 = R-410A

Digits 2 – Brand
T = Outdoor Unit

Digits 3 – Functional Type
X = Heat Pump Inverter
Y = Cooling Only Inverter

Digits 4 – Configuration Outdoor Unit
K = Single Refrigerant Port

Digits 5, 6 – Efficiency Tier
17 = 17 SEER Series
25 = 25 SEER Series

Digits 7, 8 – Nominal Capacity (Btu/h x 1,000)
09 = 9,000 Btu/h
12 = 12,000 Btu/h
18 = 18,000 Btu/h
24 = 24,000 Btu/h
30 = 30,000 Btu/h
36 = 36,000 Btu/h

Digits 9 – Major Development Sequence
A = First Development Sequence

Digits 10 – Electric Power Supply Characteristics
1 = 208-230/60/1

Digits 11 – Reserved for Future Use
0 = Not Currently Used

Digits 12 – Regional Markets Served (1:1 Systems)
N = North America Market

Digits 13 – Reserved for Future Use
0 = Not Currently Used

Digits 14 – Minor Design Sequence
A = First Design Sequence

Digits 15 – Service Digit
A = First Sequence

