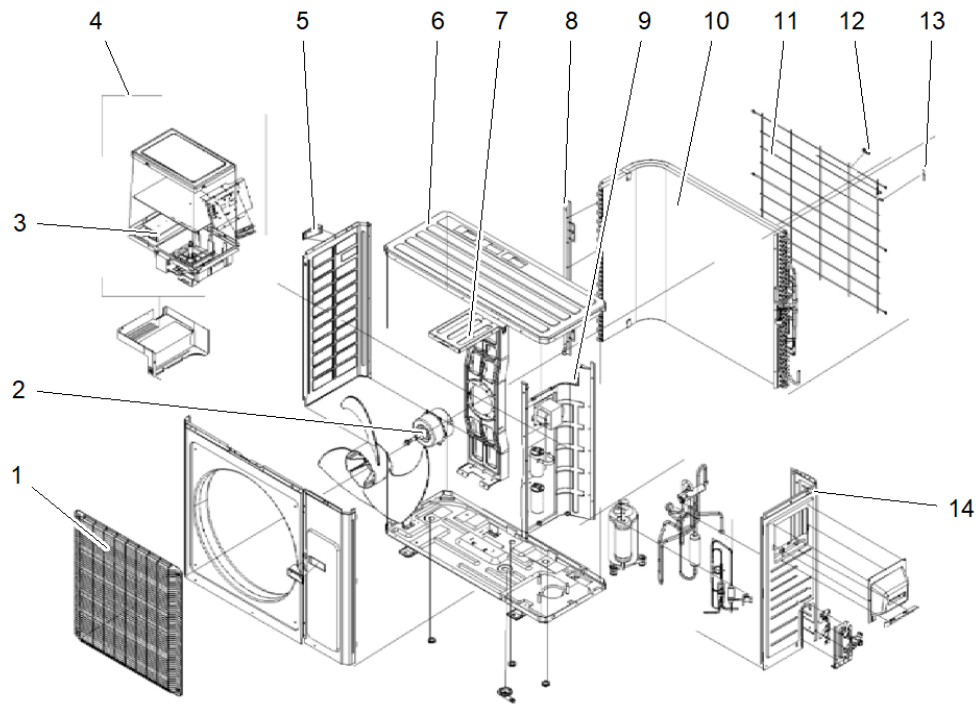


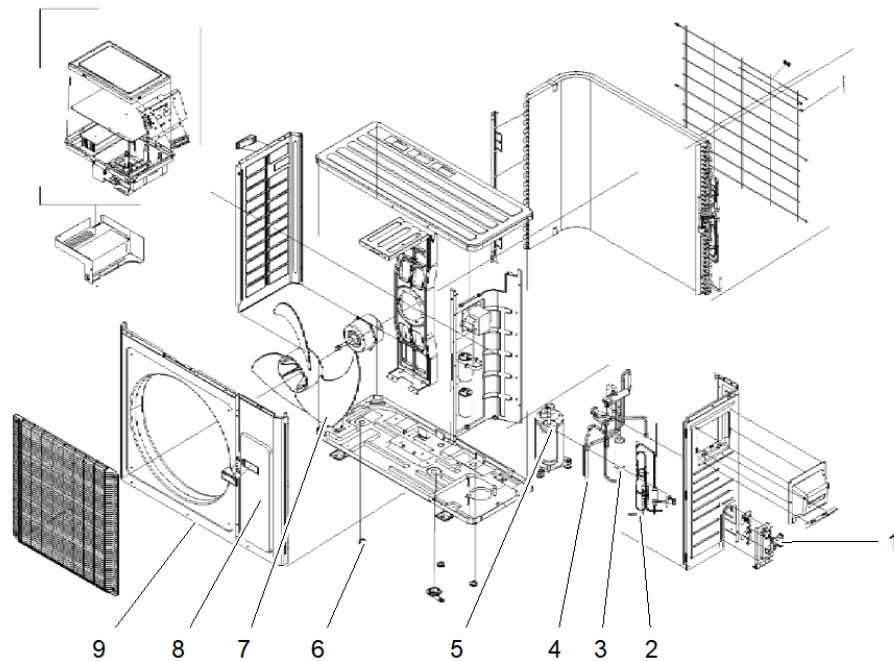
Part No.	Reference No.	Quantity	Description
0000157033~S	*		General Assembly 1
0000157034~S	*		General Assembly 2
0000157032~S	*		Model Number Description

Part No.	Reference No.	Quantity	Description
0000030661~P	*		General Assembly 1



Part No.	Reference No.	Quantity	Description
GRL02234	1	1	GRILLE; FRONT OUTDOOR FAN
MOT20625	2	1	MOTOR; BRUSHLESS DC
COL28026	3	1	COIL; RADIATOR
CNT08795	4	1	CONTROL; ELECTRIC BOX ASSEMBLY
HDL01293	5	1	HANDLE;
PNL36423	6	1	PANEL; TOP COVER
BRK04800	7	1	BRACKET; MOTOR SUPPORT ASSY
PLT05362	8	1	PLATE; CONDENSER SUPPORT
PNL36043	9	1	PANEL; CLAPBOARD, SUB-ASSY
CDS02701	10	1	CONDENSER; ASSY
GRL01948	11	1	GRILLE; REAR
CMP01443	12	1	CLAMP; WIRING
SEN01804	13	1	SENSOR; TEMPERATURE (INCLUDES; DISCHARGE TUBE SENSOR (50K), COIL TUBE SENSOR (20K) AND OUTDOOR AMBIENT SENSOR (15K))
PNL29409	14	1	PANEL; RIGHT SIDE PLATE

Part No.	Reference No.	Quantity	Description
0000030683~P	*		General Assembly 2



Part No.	Reference No.	Quantity	Description
VAL09900	1	1	VALVE; CUT-OFF (GAS)
TUB15893	2	1	TUBE; CAPILLARY
VAL20439	3	1	VALVE; FOUR WAY VALVE ASSEMBLY
COL16754	4	1	COIL; SOLNOID REVERSING VALVE
COM13820	5	1	COMPRESSOR;
CAP01252	6	1	CAP; DRAINAGE HOLE
FAN05385	7	1	FAN; AXIAL FLOW
PLT05367	8	1	PLATE; FRONT SIDE, SUB-ASSY
CAS02042	9	1	CASING; CABINET

Part No.	Reference No.	Quantity	Description
0000030640~P	*		Model Number Description(Outdoor Unit)

MODEL NUMBER DESCRIPTION
17/25 SEER MINI SPLIT LOMO OUTDOOR

75015158

REV
A

Example Model Number:
4TXK1709A10N0AA
1 - - - 5 - - - 10 - - - 15

Digits 1 – Refrigerant
4 = R-410A

Digits 2 – Brand
T = Outdoor Unit

Digits 3 – Functional Type
X = Heat Pump Inverter
Y = Cooling Only Inverter

Digits 4 – Configuration Outdoor Unit
K = Single Refrigerant Port

Digits 5, 6 – Efficiency Tier
17 = 17 SEER Series
25 = 25 SEER Series

Digits 7, 8 – Nominal Capacity (Btu/h x 1,000)
09 = 9,000 Btu/h
12 = 12,000 Btu/h
18 = 18,000 Btu/h
24 = 24,000 Btu/h
30 = 30,000 Btu/h
36 = 36,000 Btu/h

Digits 9 – Major Development Sequence
A = First Development Sequence

Digits 10 – Electric Power Supply Characteristics
1 = 208-230/60/1

Digits 11 – Reserved for Future Use
0 = Not Currently Used

Digits 12 – Regional Markets Served (1:1 Systems)
N = North America Market

Digits 13 – Reserved for Future Use
0 = Not Currently Used

Digits 14 – Minor Design Sequence
A = First Design Sequence

Digits 15 – Service Digit
A = First Sequence

